



BY APPOINTMENT
TO H.M. QUEEN ELIZABETH THE QUEEN MOTHER
MOTOR CAR MANUFACTURERS
THE DAIMLER COMPANY LIMITED

Daimler

SPARES DIVISION

S.P. 250
2½ LITRE V.8 SPORTS
SPARE PARTS CATALOGUE

ENGINE NUMBER

89001 ONWARDS

CHASSIS NUMBER

100001 ONWARDS

THE DAIMLER COMPANY LIMITED. COVENTRY, ENGLAND.

**Telephone :
Coventry 27626**

**Telegraphic Address :
Daimler 'Phone Coventry**

INTERPRETATION OF CATALOGUE

Attention is drawn to the lay-out of this catalogue. It will be observed that the heading of each assembly is printed in **BOLD BLOCK LETTERS**, whilst the spares relevant to each assembly are printed in small type and inset to the right.

The fact that certain items (printed in small type) are not "inset" indicates that they do not form part of any assembly and must, therefore, be ordered as individual items.

ILLUSTRATIONS

To aid identification of spares, "exploded" illustrations are incorporated in this catalogue.

These illustrations may be used in the following manner:—

(a) If a Crankshaft is required, the index shows that the details for the item are printed on page 4 and that it is illustrated on Plate 2. Turning to page 4, the necessary information for the ordering of the part is given, whilst the column headed "Plate No." indicates that reference to item number 66 on Plate 2 will give a photographic view of the component required.

(b) The details for each illustrated item are printed in the script in numerical Plate number order. An item may therefore be first identified photographically. For example, if a Journal is required for the Propeller Shaft, a picture of the part may be found on Plate No. 18, together with the Plate reference number. It is now an easy matter to find Plate number "18-8" in the script and the Part No. and Technical Description are at once apparent.

ORDERING

Customers are advised to make themselves familiar with the method of ordering spare parts in accordance with the explanatory notes which follow.

PUBLICATION D.5

PRICE £1. 15. 0

PUBLISHED JUNE, 1964

INSTRUCTIONS FOR ORDERING SPARE PARTS

To avoid delay through inaccurate interpretation, IT IS OF GREAT IMPORTANCE that the information detailed in the following paragraphs be strictly adhered to when placing orders.

CAR TYPE

Always quote the engine and chassis numbers except when Stock Orders are placed, in which case the Year and Model must be indicated.

An order for spares in connection with an Automatic Transmission Unit must be accompanied by the **Transmission Serial Number**. If it is desired to replace the Converter Assembly, however, the order for this component must bear the **Serial number of the Converter** which will be found stamped on the engine side of the Flywheel, adjacent to the Starter Ring Gear.

DETAILS OF PARTS REQUIRED

When ordering, the most complete information should be given to enable us to deal with your requirements expeditiously and to minimise delay in the despatch of the goods. Therefore we strongly recommend that the following procedure be adopted:—

- (1) Identify part with technical description in catalogue.
- (2) On Order, quote (a) part number, (b) technical description.
NOTE: In no case should the illustration plate number be given.
- (3) If doubt exists as to the part number or technical description, a dimensioned sketch will assist in the interpretation of the order, or, alternatively, the old part should accompany the order as a pattern. When patterns are sent, it is **most important** that they be labelled, indicating the name and address of the sender, together with any reference such as order number, etc. Patterns will not be returned unless instructions to that effect accompany the order. In the absence of such instructions, patterns will be scrapped after retention for a period of ONE WEEK.
- (4) To order in "sets" is misleading. Please, therefore, **state the specific quantity required.**

SPECIAL ATTENTION

Particular attention is drawn to the fact that when such items as Wings, Doors, Door Glasses, etc., are required, care should be taken to indicate whether they are located on the left-hand or right-hand side of the car. The position is determined by the driver's own left or right hand when seated in the car.

Orders for Carpets, Casings, etc., should clearly state the precise colour required.

DESPATCH INSTRUCTIONS

The full address of the destination to which the goods are to be sent, together with that of the customer, should be clearly defined.

Whilst every effort will be made to observe customers' wishes as to the mode of transport, it is the normal custom to utilize the quickest method, whether it be post, passenger train, or road transport, this being dependent upon the size and weight of the package and the destination.

PRICES

Current retail prices, shown in the Daimler Parts Master Price List, are subject to alteration without notice, and are for delivery at Works. Postage, carriage and packing will be charged extra.

DAMAGE BY FIRE OR ACCIDENT

Whilst every precaution is taken, we do not accept liability for damage which may be caused by fire to any motor car or part thereof entrusted to us for any purpose whatsoever. Nor is liability accepted for accidental damage.

INDEX TO SECTIONS

DESCRIPTION OF SECTIONS	PAGE No.	PLATE No.
ACCELERATOR CONTROLS (STANDARD TRANSMISSION)	23-24	7
ACCELERATOR CONTROLS (AUTOMATIC TRANSMISSION)	26-28	8
AUTOMATIC TRANSMISSION UNIT	43-51	12-15
AUTOMATIC TRANSMISSION MOUNTING DETAILS	56	16
BODY DETAILS	103-115	28 & 29
BODY MOUNTING DETAILS	118	—
BRAKING SYSTEM	75-81	21 & 22
CHASSIS	99-100	27
CLUTCH UNIT AND CONTROLS	30-32	9
COOLING SYSTEM	88	24
ELECTRICAL EQUIPMENT	119-128	30-31-32
ENGINE	1-15	1-6
EXHAUST SYSTEM	91-92	25
FRONT SUSPENSION	69-72	20
FUEL SYSTEM	94-96	26
GEARBOX (SYNCHROMESH)	35-39	10 & 11
OPTIONAL EXTRAS	133-140	33-34-35
PROPELLER SHAFT	63	18
REAR AXLE	64-66	19
SELECTOR CONTROL (AUTOMATIC TRANSMISSION)	59-60	17
STEERING UNIT AND CONTROLS	84-86	23
TOOL KIT	132	—

INDEX TO PARTS

Description	Page No.	Plate No.	Description	Page No.	Plate No.
A			A—(continued)		
"A" Post Closing Panel Assembly ...	103	28	Automatic Transmission Front Sun Gear and Lock-up Drum ...	46	13
"A" Post Reinforcement Assembly ...	103	28	Automatic Transmission Front Sun Gear Piston Seal ...	46	13
Accelerator Pedal ...	23 & 26	7	Automatic Transmission Front Sun Gear Thrust Washer ...	46	13
Accelerator Pedal Bracket ...	23 & 26	7	Automatic Transmission Governor Adjusting Lever ...	49	15
Accelerator Pedal Cross Shaft ...	23 & 26	7	Automatic Transmission Governor Assembly ...	49	15
Accelerator Pedal Cross Shaft Ball Pin ...	23 & 26	7	Automatic Transmission Governor Control Detent Piston ...	49	15
Accelerator Pedal Cross Shaft Brackets ...	23 & 26	7	Automatic Transmission Governor Control Rocker Arm ...	49	15
Accelerator Pedal Cross Shaft Bracket Bush ...	23 & 26	7	Automatic Transmission Governor Control Rocker Arm Spring ...	49	15
Accelerator Pedal Cross Shaft Lever Ball Pin ...	23 & 26	7	Automatic Transmission Governor Driven Gear (on Mainshaft) ...	50	15
Accelerator Pedal Cross Shaft Grommet ...	23 & 26	7	Automatic Transmission Governor Return Spring ...	49	15
Accelerator Pedal Stop ...	23 & 26	—	Automatic Transmission Governor Shaft Piston Assembly ...	43	12
Air Cleaner Assembly ...	10	4	Automatic Transmission Low and Forward Servo Cylinder ...	44	12
Air Cleaner Breather Hose ...	10	4	Automatic Transmission Low Band Servo Plate Assembly ...	44	12
Ammeter ...	126	32	Automatic Transmission Low Band Servo Plate Gaskets ...	44	12
Ammeter Bulb ...	126	32	Automatic Transmission Low Lock-up Piston Assembly ...	44	12
Ashtray (Gearbox Cover) ...	111	—	Automatic Transmission Low Lock-up Piston Seal ...	44	12
Automatic Transmission Brake Bands ...	44—45	12	Automatic Transmission Mainshaft (Less Gear Train Assembly) ...	46	13
Automatic Transmission Brake Band Adjusting Screws ...	45	12	Automatic Transmission Mainshaft Assembly ...	45	—
Automatic Transmission Brake Band Operating Struts ...	45	12	Automatic Transmission Mainshaft Bearing ...	47	13
Automatic Transmission Case Assembly ...	43	12	Automatic Transmission Mainshaft Oil Transfer Tube ...	45	13
Automatic Transmission Case Pressure Take-off Plugs ...	43	—	Automatic Transmission Mainshaft Piston Ring ...	46	13
Automatic Transmission Collector Ring ...	45	13	Automatic Transmission Manifold Plate Assembly ...	47 & 48	14
Automatic Transmission Converter Assembly ...	43	—	Automatic Transmission Multi-Disc Clutch Repair Kit ...	51	—
Automatic Transmission Converter Housing ...	56	16	Automatic Transmission Oil Filter ...	48	14
Automatic Transmission Converter Shuttle Valves ...	48	14	Automatic Transmission Oil Sump ...	48	14
Automatic Transmission Converter Valve Assembly ...	48	14	Automatic Transmission Oil Sump Gasket ...	48	14
Automatic Transmission Detent Cam Assembly ...	49	15	Automatic Transmission Outer Servo Piston ...	43	12
Automatic Transmission Dipstick Assembly ...	43	12	Automatic Transmission Overhaul Gasket Kit ...	51	—
Automatic Transmission Extension Case Assembly ...	48—49	15	Automatic Transmission Overhaul Oil Seal Kit ...	51	—
Automatic Transmission Extension Case Gasket ...	49	15	Automatic Transmission Parking Brake Interlock Piston ...	50	15
Automatic Transmission Extension Case Oil Seal ...	49	15	Automatic Transmission Parking Brake Interlock Piston Spring ...	50	15
Automatic Transmission Extension Case Valve and Fork Assembly ...	49	15	Automatic Transmission Parking Brake Rod ...	43	12
Automatic Transmission First Clutch Friction Discs ...	46	13	Automatic Transmission Pawl and Tugger Assembly ...	50	15
Automatic Transmission First Clutch Plates ...	46	13	Automatic Transmission Planetary Gear Retainer ...	46	13
Automatic Transmission First Clutch Piston ...	46	13	Automatic Transmission Pressure Take-off Plugs ...	43	—
Automatic Transmission First Clutch Retractor Plate ...	46	13	Automatic Transmission Rear Planetary Carrier Piston Ring ...	46	13
Automatic Transmission First Clutch Retractor Springs ...	46	13	Automatic Transmission Rear Pump Assembly ...	50	—
Automatic Transmission Forward Gear Free Wheel Unit ...	47	13	Automatic Transmission Rear Pump Cover ...	50	15
Automatic Transmission Front Planetary Carrier ...	46	13	Automatic Transmission Rear Pump Cover Plug ...	50	—
Automatic Transmission Front Planetary Carrier Thrust Washer ...	46	13			
Automatic Transmission Front Pump ...	45	13			
Automatic Transmission Front Pump and Collector Ring Assembly ...	45	13			
Automatic Transmission Front Pump "O" Rings ...	45	13			
Automatic Transmission Front Oil Seal ...	45	13			
Automatic Transmission Front Pump Thrust Washers ...	45	13			
Automatic Transmission Front Ring Gear ...	47	13			
Automatic Transmission Front Ring Gear Piston Ring ...	47	13			

INDEX TO PARTS

Description	Page No.	Plate No.	Description	Page No.	Plate No.
A—(continued)			B—(continued)		
Automatic Transmission Rear Pump Gas-kets	50	15	Bonnet Lock Control Cable Handle	107	28
Automatic Transmission Rear Pump Gears	50	15	Bonnet Lock Striker Assembly	106	—
Automatic Transmission Rear Ring Gear	46	13	Bonnet Lock Striker Plate	107	28
Automatic Transmission Rear Ring Gear "O" Rings	46	13	Bonnet Lock Striker Pin	106	28
Automatic Transmission Rear Ring Gear Piston Ring	46	13	Bonnet Lock Striker Spring	106	28
Automatic Transmission Rear Sun Gear	46	13	Bonnet Prop Rod	106	28
Automatic Transmission Rear Sun Gear Retainer	46	13	Bonnet Rubber Buffers	107	28
Automatic Transmission Rear Sun Gear Thrust Washer	46	13	Bonnet Safety Hook	107	28
Automatic Transmission Relief Valve Body Assembly	48	14	Boot Aperture Panel Assembly	103	28
Automatic Transmission Reverse Gear Free Wheel Unit	47	13	Boot Aperture Sealing Rubber	108	—
Automatic Transmission Reverse Servo Cylinder	44	12	Boot Lid Assembly	103	28
Automatic Transmission Reverse Servo Piston Seal	44	12	Boot Lid Hinges	103	28
Automatic Transmission Reverse Servo Plate Assembly	44	12	Boot Lid Lock	112	29
Automatic Transmission Reverse Servo Plate Gaskets	44	12	Boot Lid Prop Rod	108	28
Automatic Transmission Selector Control Ball Pins	59—60	17	Boot Lid Rubber Buffers	108	—
Automatic Transmission Selector Control Ball Sockets	60	17	Brake Fluid Reservoir	77	21
Automatic Transmission Selector Control Hand Lever	59	17	Brake Fluid Reservoir Filler Cap	77	—
Automatic Transmission Selector Control Hand Lever Knob	59	17	Brake Fluid Reservoir Filter	77	—
Automatic Transmission Selector Control Operating Lever (in Quadrant)	59	17	Brake Hydraulic Hoses	79	21
Automatic Transmission Selector Control Operating Lever Boss	59	17	Brake Hydraulic Pipes	78—80	21
Automatic Transmission Selector Control Operating Lever Control Rods	60	17	Brake Hydraulic Restrictor Valve	78	21
Automatic Transmission Selector Control Quadrant Assembly	59	17	Brake Master Cylinder	77	21
Automatic Transmission Selector Control Quadrant Leather Gaiter	60	17	Brake Master Cylinder Jaw	77 & 78	21
Automatic Transmission Selector Control Starter Cut-out Switch	59	17	Brake Master Cylinder Reconditioning Kit	80	—
Automatic Transmission Speedometer Drive Gear Housing	50	15	Brake Pedal Assembly	76 & 77	21
Automatic Transmission Speedometer Driven Gear	50	15	Brake Pedal Adjusting Screw	77	—
Automatic Transmission Thrust Washer Kit	51	—	Brake Pedal Bracket	77	21
Automatic Transmission Unit Support Bracket	56	16	Brake Pedal Bush	76 & 77	21
Automatic Transmission Unit Rubber Mounting	56	16	Brake Pedal Fulcrum Pin	77	21
Automatic Transmission Universal Joint Companion Flange	47	13	Brake Pedal Return Spring	77	21
Automatic Transmission Valve Block	47—48	—	Brake Pedal Rubber Pad	77	21
			Brake Pedal Spacer	77	21
			Brake Rods	76	21
			Breather Hose	10	4
B			C		
"B" Post Closing Panel Assembly	103	28	Camshaft	6	2
Badge Bar	139	35	Camshaft Chain Wheel	6	2
Battery	122	31	Camshaft Liners	1	1
Battery Retaining Angle Assembly	122	31	Camshaft Thrust Plate	6	2
Battery Retaining Rod	122	31	Camshaft Thrust Washer	6	2
Battery Retaining Rod Wing Nut	122	—	Carburettor Assembly	13—14	—
Big End Bearings	5	2	Carburettor Body	13	6
Body Mountings	118	—	Carburettor Float	14	6
Body Shell	103	—	Carburettor Float Chamber	14	6
Bonnet Aperture Panel Assembly	103	28	Carburettor Float Chamber Lid	14	6
Bonnet Hinges	103	28	Carburettor Insulator	14	6
Bonnet Lid Assembly	103	28	Carburettor Jet Assembly	14	6
Bonnet Lock Control Cable	107	28	Carburettor Jet Bearing	14	6
			Carburettor Jet Housing	14	6
			Carburettor Jet Needle	14	6
			Carburettor Needle and Seat	14	6
			Carburettor Overflow Pipes	14—15	6
			Carburettor Shoe and Rod Assembly	14	6
			Carburettor Slow-run Valve	14	6
			Carburettor Suction Chamber	13	6
			Carburettor Suction Chamber Damper	13	6
			Carburettor Throttle Lever Assembly	13	6
			Carburettor Throttle Disc	13	6
			Carburettor Throttle Spindle	13	6
			Carburettor Throttle Stop	13	6
			Carpet Assemblies	114 & 115	—
			Chain Cover Assembly	1	1
			Chain Tensioner	1	1
			Chain Vibration Damper	1	1
			Chassis Bracing Member	99	27
			Clutch Cover	32	9
			Clutch Driven Plate	32	9
			Clutch Flexible Hose	31	9
			Clutch Master Cylinder Assembly	30	9
			Clutch Master Cylinder Jaw	31	9
			Clutch Master Cylinder Push Rod	30	9

INDEX TO PARTS

Description	Page No.	Plate No.	Description	Page No.	Plate No.
C—(continued)			D—(continued)		
Clutch Master Cylinder Repair Kit ...	30	—	Door Handles	109 & 110	29
Clutch Master Cylinder Reservoir Filler Cap	30	9	Door Hinges	104	28
Clutch Master Cylinder Reservoir Filler Cap Gasket	30	9	Door Locks	108	28
Clutch Pedal	30	9	Door Lock Remote Control	108	28
Clutch Pedal Cross Shaft	32	9	Door Lock Striker Plate	108	28
Clutch Pedal Cross Shaft Grease Nipple	32	9	Door Silencers	104	—
Clutch Pedal Fulcrum Shaft	30	—	Dynamo	10	—
Clutch Pedal Mounting Bracket	30	—	Dynamo Armature	10	5
Clutch Pedal Operating Fork	32	9	Dynamo Belt	11	5
Clutch Pedal Return Spring	30	9	Dynamo Bracket	11	5
Clutch Pedal Rubber Pad	30	9	Dynamo Brushes	10	5
Clutch Pipe	31	9	Dynamo Fan	11	5
Clutch Release Bearing Assembly	32	9	Dynamo Field Coil	10	5
Clutch Release Bearing Retainer	32	9	Dynamo Mounting Bracket	11	5
Clutch Slave Cylinder	31	9	Dynamo Pulley	11	5
Clutch Slave Cylinder Bleeder Screw	31	9	E		
Clutch Slave Cylinder Dust Cap	31	9	Earth Cables	127	—
Clutch Slave Cylinder Push Rod	31	9	Electrical Cables	127	—
Clutch Slave Cylinder Push Rod Jaw	31	9	Electrical Harnesses	127	—
Clutch Slave Cylinder Repair Kit	31	—	Engine Mounting Brackets	99	27
Clutch Slave Cylinder Support Bracket	31	—	Exhaust Balance Pipe Assembly	91	25
Connecting Rods	5	2	Exhaust Down Pipes	91	25
Connecting Rod Bearings	5	2	Exhaust Flexible Pipes	91	—
Connecting Rod Gudgeon Pins	6	2	Exhaust Manifolds	4	1
Control Box	122	31	Exhaust Manifold Gaskets	4	1
Crankshaft Assembly	4	2	Exhaust Pipes	91	25
Crankshaft Chain Wheel	5	2	Exhaust Pipe Clip	91	25
Crankshaft Chain Wheel Key	5	2	Exhaust Pipe Gaskets	91	25
Crankshaft Damper	5	2	Exhaust Pipe Hanger Brackets	91	25
Crankshaft Oil Seal	5	2	Exhaust Pipe Hanger Rubbers	91	25
Crankshaft Oil Sealing Rings	4	2	Exhaust Silencers	91	25
Crankshaft Oil Shield	5	2	Exhaust Silencer Heat Shield	92	—
Crankshaft Pulley	5	2	Exhaust Silencer Support Clips	91	25
Crankshaft Thrust Washers	4	2	Exhaust Silencer Support Plate	91	25
Crash Rail Assembly	111	29	Exhaust Silencer Support Rubbers	91	25
Cylinder Block	1	1	Exhaust Tail Pipe Assemblies	91	25
Cylinder Block Dowels	1	1	F		
Cylinder Block Drain Plugs	1	1	Facia Panel Assembly	111	29
Cylinder Block Welch Washers	1	1	Facia Trim Panel	111	29
Cylinder Heads	2	1	Fan and Extension Assembly	5	2
Cylinder Head Blanking Plates	2	1	Fan Belt	11	5
Cylinder Head Gaskets	2	1	Fan Cowl	137	34
Cylinder Head Studs	1	1	Flasher Unit	122	31
Cylinder Head Top Covers	3	1	Flywheel Assembly	5	2
Cylinder Head Top Cover Gaskets	3	1	Fog Lamp	139	35
Cylinder Head Welch Washers	2	1	Fog Lamp Switch	140	35
D			Front Brake Calipers	70 & 80	20
Dash Assembly	103	28	Front Brake Caliper Bleed Screw	80	22
Dash Casings	112 & 113	—	Front Brake Disc	69	20
Demister Tube	133 & 134	33	Front Brake Disc Dust Covers	69 & 70	20
Dipper Switch	122	31	Front Brake Friction Pad Kit	81	—
Distributor	11—12	—	Front Engine Mountings	99	27
Distributor Brush and Spring	11	—	Front Engine Mounting Brackets	99	27
Distributor Cap	11	5	Front Flasher Lamps	120	30
Distributor Condenser	11	5	Front Grille Assembly	104	28
Distributor Contact Set	11	5	Front Grille Mesh	104	28
Distributor Driving Collar and Gear	12	5	Front Grille Surround	104	28
Distributor Mounting Bracket	12	5	Front Hub Assembly	69	20
Distributor Rotor Arm	11	5	Front Hub Bearings	69	20
Distributor Suction Pipe	15	6	Front Hub Caps	69	20
Distributor Suction Pipe Nipple	15	—	Front Hub Oil Seals	69	20
Distributor Vacuum Unit	11	5	Front Number Plate Support	105 & 106	28
Door Assemblies	104	28	Front Seats	112	—
Door Check Strap	108	28	Front Seat Floor Rails	112	29
Door Draught Excluder	110	—	Front Seat Frames	112	29
Door Glass	109	29	Front Seat Slides	112	29
Door Glass Channel	109	29	Front Suspension Assemblies	69	20
Door Glass Felt	109	—	Front Suspension Bump Stop	72	20
Door Glass Frame	109	29			

INDEX TO PARTS

Description	Page No.	Plate No.
F—(continued)		
Front Suspension Coil Spring	71	20
Front Suspension Coil Spring Seat ...	72	20
Front Suspension Coil Spring Seating Rubber	71	20
Front Suspension Lower Wishbones ...	71	20
Front Suspension Lower Wishbone Mount- ing Bracket	71	20
Front Suspension Lower Wishbone Trun- nion	71	20
Front Suspension Rebound Stop	72	20
Front Suspension Shock Absorbers ...	72	20
Front Suspension Shock Absorber Mount- ing Brackets	72	20
Front Suspension Shock Absorber Rubber Mountings	72	20
Front Suspension Steering Arm	69	20
Front Suspension Stub Axle Carrier ...	69	20
Front Suspension Stub Axle Shaft ...	69	20
Front Suspension Upper Wishbone ...	70	20
Front Suspension Upper Wishbone Ball Joints	70	20
Front Suspension Upper Wishbone Inner Fulcrum	70	20
Front Suspension Upper Wishbone Ful- crum Bush	70	20
Front Wing Valance Panels	103	28
Fuse Unit	122	31

G

Gearbox Access Welch Washers	35	10
Gearbox Assembly (Standard)	35	—
Gearbox Casings	35	10
Gearbox Casing Bushes	35	10
Gearbox Casing Dowels	35	10
Gearbox Change Speed Lever	36	10
Gearbox Change Speed Lever Cover Plate	36	10
Gearbox Change Speed Lever Knob ...	36	10
Gearbox Change Speed Lever Spring ...	36	10
Gearbox Change Speed Lever Spring Retaining Plate	36	10
Gearbox Constant Mesh Gear	38	11
Gearbox Countershaft	38	11
Gearbox Countershaft Gears	38	11
Gearbox Countershaft Needle Rollers ...	38	11
Gearbox Countershaft Needle Roller Retainer	38	11
Gearbox Countershaft Thrust Washers ...	38	11
Gearbox Cover (Front)	35	10
Gearbox Cover Gasket (Front)	35	10
Gearbox Cover Gasket (Top)	35	10
Gearbox Cover (Top)	35	10
Gearbox Dipstick Assembly	36	10
Gearbox Drain Plug	35	10
Gearbox Mainshaft	37	11
Gearbox Mainshaft Bearings	37	11
Gearbox Mainshaft Bearing Circlips ...	37	11
Gearbox Mainshaft Gears	37—38	11
Gearbox Mainshaft Gear Bushes	37—38	11
Gearbox Mainshaft Gear Sleeves	37—38	11
Gearbox Primary Shaft	36	11
Gearbox Primary Shaft Bearing	37	11
Gearbox Primary Shaft Bearing Shield ...	36	11
Gearbox Primary Shaft Bearing Snap Ring	37	11
Gearbox Reverse Gear Assembly	38	11
Gearbox Reverse Gear Fork	39	11
Gearbox Reverse Gear Fork Shaft	39	11
Gearbox Reverse Gear Spindle	38	11
Gearbox Rubber Mountings	39	—
Gearbox Selectors	36	10
Gearbox Selector Forks	36	10
Gearbox Selector Rod Ball Springs ...	36	10
Gearbox Selector Rod Indent Ball ...	36	10

G—(continued)

Description	Page No.	Plate No.
Gearbox Selector Rod Interlock Ball ...	36	10
Gearbox Selector Rod Thimble	36	10
Gearbox Selector Rod Sealing King ...	35	10
Gearbox Synchronising Sleeves	37—38	11
Gearbox Speedometer Drive Pinion ...	39	11
Gearbox Speedometer Drive Pinion Housing	39	11
Gearbox Speedometer Drive Pinion Housing Adaptor	39	11
Gearbox Speedometer Drive Pinion Housing "O" Rings	39	11
Gearbox Speedometer Drive Pinion Housing Oil Seals	39	11
Gearbox Speedometer Pinion Thrust Washer	39	11
Gearbox Support Bracket	39	—
Gearbox Support Plate	2	1
Gearbox Universal Joint Flange	37	11
Grommets	128	—

H

Handbrake Assembly	75	21
Handbrake Assembly Bracket	75	—
Handbrake Cable	75	21
Handbrake Cable Abutment Brackets ...	75	21
Handbrake Cable Abutment Thimbles ...	75	21
Handbrake Cable Clevis Pins	75	21
Handbrake Cable Fork End	75	21
Handbrake Cable Support Spring	75	21
Handbrake Bell-crank Lever Assembly ...	76	21
Handbrake Bell-crank Lever Swivel Assembly	76	21
Handbrake Bell-crank Lever Swivel Pin Assembly	76	21
Handbrake Bell-crank Lever Swivel Pin Mounting Bracket	76	21
Handbrake Bell-crank Lever Return Spring	76	21
Handbrake Leather Gaiter	112	—
Handbrake Mechanism	81	—
Handbrake Mechanism Adjusting Nut ...	81	22
Handbrake Mechanism Clamping Levers	81	22
Handbrake Mechanism Friction Pad Kit ...	81	—
Handbrake Mechanism Operating Levers	81	22
Handbrake Mechanism Tie Rods	81	22
Handbrake Mechanism Tie Rod Springs	81	22
Headlamp	119	—
Headlamp Bulb	119	30
Headlamp Dipper Switch	122	31
Headlamp Light Unit	119	30
Headlamp Rim	119	30
Heater and Demister	133 & 134	—
Heater Air Control Cable	133	33
Heater Air Control Cable Bracket ...	133	—
Heater Control Cable	133	33
Heater Control Cable Trunnion	133	33
Heater Control Knobs	133	33
Heater Control Unit	133	33
Heater Control Unit Indicator Strip ...	133	33
Heater Unit Assembly	133	33
Heater Unit Base Seal	133	33
Heater Water Inlet Pipe	133	33
Heater Water Outlet Pipe	133	33
Heater Water Pipe Clips	133	33
Heater Water Pipe Elbows	133	33
High Tension Cable	13	5
High Tension Leads	12—13	5
High Tension Lead Terminals	13	5
Hood Cover Assembly	113	—
Hood Envelope	114	—
Hood Mechanism	113	—
Horns	121	31
Horn Mounting Bracket	121	—

INDEX TO PARTS

Description	Page No.	Plate No.
H—(continued)		
Horn Push	84	—
Horn Push Contact	84	—
Horn Push Retaining Ring	84	—
Hydraulic Brake 3-way Adaptor	79	21
Hydraulic Brake 5-way Adaptor	78	21
Hydraulic Brake Flexible Hose	79	21
Hydraulic Brake Pipes	78—80	21
Hydraulic Brake Pipe Clips	78—80	21
I		
Ignition and Starter Switch	126	32
Ignition Barrel	127	32
Ignition Barrel Key	127	32
Ignition Coil	12	5
Induction Manifold	3	1
Induction Manifold Gasket	3	1
Inner Steering Column and Worm	85	23
Inner Steering Column Inner Race	84	23
Inner Steering Column Oil Seals	85	23
Inner Steering Column Outer Race	84	23
Inside Door Handles	110	29
Instrument Panel	127	32
Instrument Panel Harness	127	—
Interior Mirror	111	29
K		
Kick-down Control Rods	27—28	8
Kick-down Control Rod Ball Pins	27—28	8
Kick-down Control Rod Ball Sockets	27—28	8
Kick-down Lever Assemblies	28	8
Kick-down Lever Fulcrum Pin	28	8
Kick-down Lever Support Bracket	28	8
L		
Lighting Switch	126	32
M		
Main Bearings	4	2
Mixture Control Cable	24	7
Mixture Control Cable Clip	24	7
Mixture Control Cable Knob	24	7
Mixture Control Cable Knob Designation Plate	24	7
Mixture Control Rod	24	7
Mixture Control Rod Ball Socket	24	7
Motif "Daimler England"	106	—
Motif "V"	104	28
N		
Number Plate Illumination Lamp	121	—
O		
Oil Cleaner Assembly	10	—
Oil Cleaner Body	10	4
Oil Cleaner Element	10	4
Oil Cleaner Union	10	4
Oil Filler Cap	3	1
Oil Filler Tube	3	1
Oil Gallery Plugs	1	1
Oil Pressure Gauge	126	32
Oil Pressure Gauge Flexible Pipe	126	—
Oil Pump Assembly	9	—

Description	Page No.	Plate No.
O—(continued)		
Oil Pump Body	9	4
Oil Pump Drive Gear	9	4
Oil Pump Driven Gear	9	4
Oil Pump Gasket	10	4
Oil Pump Spindle Assembly	9	4
Oil Pump Spindle Bush	9	4
Oil Relief Valve	9	4
Oil Sump Assembly	2	1
Oil Sump Bridge Piece	2	1
Oil Sump Dipstick	2	1
Oil Sump Dipstick Guide Tube	2	1
Oil Sump Drain Plug	2	1
Oil Sump Seals	2	1
Oil Sump Tray	2	1
Optional Extras	133—140	—
Outside Door Handles	109 & 110	29
P		
Panel Light Switch	126	32
Petrol Filter	96	26
Petrol Filter Hose	94	26
Petrol Filler Neck	94	26
Petrol Gauge	123	32
Petrol Hose Assemblies	94	26
Petrol Pipe Assemblies	95 & 96	26
Petrol Pipe Clips	95	26
Petrol Pipe Shields	99	—
Petrol Pump	95	26
Petrol Pump Diaphragm Assembly	123	31
Petrol Pump Filter	123	31
Petrol Pump Rocker and Blade Assembly	123	31
Petrol Tank	94	26
Petrol Tank Drain Plug	94	26
Petrol Tank Gauge Element	94	—
Petrol Tank Gauge Element Gasket	94	—
Petrol Tank Straps	94 & 112	29
Plenum Chamber Lattice	107	28
Plenum Chamber Grille	107	28
Pistons	6	2
Piston Rings	6	2
Propeller Shaft	63	18
Propeller Shaft Flange Yokes	63	18
Propeller Shaft Journals	63	18
Propeller Shaft Sleeve Yoke	63	18
Push Rod Assemblies	7	2
R		
Radiator Block	88	24
Radiator Block Drain Tap	88	24
Radiator Block Hoses	88	24
Radiator Block Header Tank	88	24
Radiator Header Tank Filler Cap... ..	88	24
Radiator Header Tank Hoses	88	24
Radiator Header Tank Overflow Pipe	88	24
Rear Axle Assembly	64—65	19
Rear Axle Check Strap Assembly	100	27
Rear Axle Crown Wheel and Pinion	64	19
Rear Axle Differential Bearing	64	19
Rear Axle Differential Case	64—65	19
Rear Axle Differential Shims	64	19
Rear Axle Differential Thrust Washers	65	19
Rear Axle Pinion Bearings	64	19
Rear Axle Pinion Mate Gears	64	19
Rear Axle Pinion Oil Seal	64	19
Rear Axle Pinion Shims	64	19
Rear Axle Shafts	64—65	19
Rear Axle Shaft Oil Seal	65	19
Rear Axle Side Gears	65	19
Rear Brake Calipers	66 & 81	19—22
Rear Brake Caliper Bleed Screw	81	22

INDEX TO PARTS

Description	Page No.	Plate No.	Description	Page No.	Plate No.
R—(continued)			S—(continued)		
Rear Brake Caliper Shims	66	19	Steering Tie Rods	86	23
Rear Brake Caliper Support Bracket	66	19	Steering Tie Rod Ball Joints	86	23
Rear Brake Disc	66	19	Steering Tie Rod Ball Joint Gaiters	86	23
Rear Brake Friction Pad Kit	81	—	Steering Wheel	84	23
Rear Flasher Lamp	120	—	Stop and Tail Lamps	120	—
Rear Hubs	65	19	Stop Lamp Switch	122	—
Rear Hub Bearings	65	19	Suction Pipe Assembly	15	6
Rear Hub Bearing Shims	65	19	Switches	126 & 127	32
Rear Hub Key	65	19	Switch Designation Plates	126 & 127	32
Rear Hub Oil Seals	65	19			
Rear Hub Studs	65	19	T		
Rear Number Plate Illumination Lamp	121	—	Tappet Assembly	7	2
Rear Over-riders	106	28	Tappet Ball End	7	2
Rear Over-rider Brackets	106	28	Tappet Block Assembly	3	—
Rear Quarter Casings	113	—	Tappet Block Dowels	3	—
Rear Road Springs	100	27	Thermostat Unit	8	3
Rear Road Spring Bottom Plate	100	27	Throttle and Mixture Control Bracket	24 & 27	7—8
Rear Road Spring Bushes	100	27	Throttle Control Rods	24 & 27	7—8
Rear Road Spring Main Leaf	100	27	Throttle Levers	24	7
Rear Road Spring Shackles	100	27	Throttle Lever Ball Pins	24	7
Rear Road Spring Shock Absorber Links	100	27	Throttle Return Spring	24 & 27	7—8
Rear Road Spring "U" Bolts	100	27	Timing Chain	7	2
Rear Shock Absorbers	100	27	Timing Chain Cover	1	1
Rear Squab Panel	103	28	Timing Chain Vibration Damper	1	1
Reflex Reflectors	120	30	Tonneau Cover	138	—
Rev Counter	125	32	Tool Kit	132	—
Rev Counter Flexible Drive Cable	125	—			
Rev Counter Pinion	12	5	V		
Rev Counter Pinion Adaptor	12	5	Valves	7	2
Rev Counter Pinion Adaptor Bush	12	5	Valve Collars	7	2
Road Wheels	74	—	Valve Guides	7	2
Road Wheel Balance Weights	74	—	Valve Rocker	8	2
Road Wheel Discs	135	34	Valve Rocker Ball End	8	2
Rocker Oil Feed Pipe	3	1	Valve Split Cones	7	—
Rocker Shaft Assembly	7	2	Valve Springs	7	2
Rocker Shaft Brackets	7	2			
Rubber Grommets	128	—	W		
Rubber Plugs	107 & 108	28	Water Outlet Pipe	8	3
			Water Outlet Pipe Extension	8	3
S			Water Pipe... ..	8—9	3
Screen Canopy Rail	113	—	Water Pipe Connecting Hoses	9	3
Screen Canopy Rail Sealing Rubber	113	—	Water Pipe Elbows	9	3
Seat Safety Belts	138	—	Water Pipe Tee Piece	9	3
Sidelamps	119 & 120	—	Water Pump	8	3
Spare Wheel Clamp	108	28	Water Pump Inlet Pipe	8	3
Spare Wheel Clamp Bolt	108	28	Water Pump Pulley	8	3
Sparking Plugs	12	5	Water Pump Seal	8	3
Sparking Plug Extension Assembly	13	—	Water Pump Thrower Ring	8	3
Sparking Plug Leads	13	5	Water Temperature Gauge	126	32
Speedometer	124	32	Water Temperature Gauge Element	126	32
Speedometer Flexible Drive Cable	124 & 125	32	Window Glass	109	29
Starter and Ignition Switch	126	32	Window Regulators	108 & 109	29
Starter Motor	11	—	Window Regulator Handles	109	29
Starter Motor Solenoid	122	31	Windscreen Glass Assembly	110	29
Starter Ring Gear	5	2	Windscreen Glass Frames	110	29
Steering Box Assembly	84 & 85	23	Windscreen Glazing Rubber	110	29
Steering Box Cover Plate	84	23	Windscreen Sealing Rubber	110	29
Steering Box End Plate	84	23	Windscreen Washer	136	34
Steering Box Oil Filler Nipple	85	—	Windscreen Washer Bracket	136	34
Steering Box Oil Seal	85	23	Windscreen Washer Glass Reservoir	136	34
Steering Box Rocker Shaft	84	23	Windscreen Washer Jet Assembly	136	34
Steering Box Trunion Bush	85	—	Windscreen Washer Motor	136	34
Steering Column Control Assembly	84	23	Windscreen Washer Switch	136	34
Steering Column Control Cable	84	—	Windscreen Washer Tube	136	34
Steering Column Control Cam Assembly	84	—	Windscreen Wiper Arms	124	32
Steering Column Control Direction Indicator Switch Lever	84	23	Windscreen Wiper Blades	124	32
Steering Column Top Covers	84	23	Windscreen Wiper Motor	124	32
Steering Column Stator Tube and Plate... ..	84	23	Windscreen Wiper Outer Casings	124	32
Steering Drop Arm	84 & 85	23	Windscreen Wiper Switch	127	—
Steering Idler Lever Assembly	85	23	Windscreen Wiper Wheelboxes	124	32
Steering Idler Lever Grease Seal	85	23			
Steering Idler Lever Mounting Bracket	85	23			

ENGINE

Part No.	Description	Plate No.	No. per Unit	Remarks
135890	CYLINDER BLOCK ASSEMBLY	1-1	1	Fitted from Engine No. 89001 to 89566
C.21630	Welch Washer, at each side of Cylinder Block		6	
C.317	Welch Washer, at front of Cylinder Block	1-2	2	
C.21631	Welch Washer, at rear of Cylinder Block		2	
260782	Welch Washer, at rear end of Camshaft		1	
C.22660	Plug, in Oil Gallery	1-3	2	
422583	Bush, for Oil Pump Spindle		1	
430381	Ring Dowel, locating Cylinder Heads		4	
420304	Dowel (Short) at rear of Cylinder Block		1	
428423	Dowel (Long) at rear of Cylinder Block		1	
430582	Liner, for Camshaft front bearing	1-4	1	
430583	Liner, for Camshaft intermediate bearing		4	
430584	Liner, for Camshaft rear bearing		1	
307341	Bearing Cap (front) for Crankshaft	1-5	1	} NOT SUPPLIED SEPARATELY
307340	Bearing Cap (intermediate) for Crankshaft	1-6	2	
307594	Bearing Cap (centre) for Crankshaft	1-7	1	
135881	Bearing Cap (rear) for Crankshaft	1-8	1	
430680	Dowel, locating Bearing Caps	1-9	10	
430420	Bolt, securing Bearing Caps	1-10	10	
430366	Lockplate, securing Bolts	1-11	10	
430386	Stud, for Cylinder Heads and Rocker Brackets	1-12	20	
136358	CYLINDER BLOCK ASSEMBLY		1	Fitted from Engine No. 89567 to 97540
UCB.137/16R FG.106/X	Bolt, securing Rear Bearing Cap Washer, Spring, on Bolts		2 2	} Additional Items
	All other items are as for Cylinder Block Assembly 135890			
C.21034	CYLINDER BLOCK ASSEMBLY		1	Fitted to Engine No. 97541 and subs
UCB.137/16R FG.106/X	Bolt, securing Rear Bearing Cap Washer, Spring, on Bolts		2 2	} Additional items
	All other items are as for Cylinder Block Assembly 135890			
UCS.131/4R 400352	Plug, in Cylinder Block water drain holes Copper Washer, on Plugs	1-13 1-14	2 2	
307476	TIMING CHAIN COVER	1-15	1	
C.22611 UCS.125/5R FG.104/X	Gasket, between Cover and Cylinder Block Screw, Set, securing Cover to Cylinder Block Washer, Spring, on Setscrews	1-16	1 12 12	
430426	TIMING CHAIN TENSIONER	1-17	1	
UCB.125/11R 430421	Bolt, securing Tensioner to Cylinder Block Lockplate, securing Bolts	1-18 1-19	2 1	
307920	TIMING CHAIN VIBRATION DAMPER	1-20	1	
UCS.125/6R 400000	Screw, Set, securing Damper to Cylinder Block Lockplate, securing Setscrews	1-21 1-22	2 1	
C.21487	Screwed Plug, blanking Chain Oil Feed hole	1-23	1	SUPPLIED WITH CYLINDER BLOCK ASSEMBLY

ENGINE

Part No.	Description	Plate No.	No. per Unit	Remarks
307306	OIL SUMP ASSEMBLY	1—25	1	} Fitted from Engine No. 89001 to 89566
430378	Dipstick Guide Tube	1—26	1	
308502	OIL SUMP ASSEMBLY		1	} Fitted to Engine No. 89567 and subs
432069	Dipstick Guide Tube		1	
309039	Tray Assembly, in Oil Sump	1—27	1	
UCS.125/4R	Screw, Set, securing Tray Assembly to Oil Sump	1—20	5	
422464	Lockplate, securing Setscrews	1—29	5	
431285/06	Drain Plug, in Oil Sump	1—30	1	
428015	Copper Washer, on Drain Plug	1—31	1	
308402	Oil Seal, between Bridge Piece and Oil Sump	1—32	1	
308404	Oil Seal, between Rear Bearing Cap and Oil Sump	1—33	1	Fitted from Engine No. 89001 to 89566
308470	Oil Seal, between Rear Bearing Cap and Oil Sump		1	Fitted to Engine No. 89567 and subs
UCS.131/7R FG.105/X	Screw, Set, securing Oil Sump to Cylinder Block		16	
	Washer, Spring, on Setscrews		16	
135870	OIL SUMP BRIDGE PIECE	1—34	1	
425938	Bolt, securing Bridge Piece to Cylinder Block		2	
FG.105/X	Washer, Spring, on Bolts		2	
307535	OIL SUMP DIPSTICK	1—35	1	
C.22613	GEARBOX SUPPORT PLATE	1—36	1	NOT REQUIRED WHEN AUTOMATIC TRANSMISSION IS FITTED
C.22614	GEARBOX SUPPORT PLATE		1	REQUIRED WHEN AUTOMATIC TRANSMISSION IS FITTED
UCS.131/7R FG.105/X	Screw, Set, securing Support Plate to Cylinder Block		4	
	Washer, Spring, on Setscrews		4	
135893	CYLINDER HEAD ASSEMBLY	1—37	2	
C.315	Welch Washer, in each end of Cylinder Heads	1—38	4	NOTE:—On some early Cylinder Heads, Taper Plugs are fitted. When replacement is necessary fit Taper Plug 432099
431000	Guide, for Inlet Valves		8	
431251	Guide, for Exhaust Valves		8	
34005/14	Stud, for Exhaust Manifold	1—39	16	
430741	Tube, for Sparking Plugs	1—40	8	
430742	Copper Washer, under Tubes		8	
C.22245	Gasket, between Cylinder Heads and Cylinder Block	1—41	2	
UFN.143/L	Nut, securing Cylinder Heads and Rocker Brackets to Cylinder Block		20	
C.23586	Washer, Plain, under Nuts		20	
UCS.131/4R 400352	Plug, blanking Rocker Oil Feed holes in Cylinder Heads	1—42	4	
430444	Copper Washer, on Plugs		4	
	Blanking Plate, sealing Water Apertures in Cylinder Heads	1—43	2	
430429	Gasket, between Blanking Plates and Cylinder Heads	1—44	2	
UCS.131/6R FG.105/X	Screw, Set, securing Blanking Plates		4	
	Washer, Spring, on Setscrews		4	

ENGINE

Part No.	Description	Plate No.	No. per Unit	Remarks
431502	CYLINDER HEAD TOP COVER	1—45	2	} Fitted from Engine No. 89001 to 89759
307827	Gasket, between Top Covers and Cylinder Heads	1—46	2	
431026	Special Nut, securing Top Covers to Cylinder Heads	1—47	8	
308620	CYLINDER HEAD TOP COVER		2	} Fitted to Engine No. 89760 and subs
307827	Gasket, between Top Covers and Cylinder Heads		2	
432136	Special Nut, securing Top Covers to Cylinder Heads		8	
431308	Carrier for Sparking Plug Leads	1—48	8	
431309	Carrier, (Centre) for Sparking Plug Lead	1—49	2	
UCS.525/10R	Screw, Set, securing Carriers to Top Covers	1—50	2	
UCS.525/7R	Screw, Set, securing Carriers to Top Covers	1—51	2	
136014	OIL FEED PIPE ASSEMBLY FOR VALVE ROCKERS	1—52	1	
430417	Banjo Bolt, securing Oil Feed Pipe to Cylinder Block	1—53	1	
430415	Banjo Bolt, securing Oil Feed Pipe to Cylinder Heads	1—54	4	
416490	Copper Washer, on Banjo Bolts	1—55	10	
308225	TAPPET BLOCK ASSEMBLY		1	
136234	Tappet Block	1—56	1	
430388	Tappet Assembly		16	
430563	Ball End for Tappets		16	
430680	Dowel, locating Tappet Block Assembly on Cylinder Block		2	
34005/27	Stud, for Dynamo Bracket	1—57	4	
135891	Gasket, between Tappet Block and Cylinder Block	1—58	1	
UCS.131/7R	Screw, Set, securing Tappet Block to Cylinder Block		10	
UCB.131/10R	Bolt, securing Tappet Block to Cylinder Block		2	
FG.105/X	Washer, Spring, on Setscrews and Bolts		12	
431288	OIL FILLER CAP	1—59	1	
431287	OIL FILLER TUBE	1—60	1	
307372	INDUCTION MANIFOLD ASSEMBLY	1—61	1	} Fitted from Engine No. 89001 to 97553
34005/14	Stud, for Carburetters	1—62	8	
C.22+12	INDUCTION MANIFOLD ASSEMBLY		1	} Fitted to Engine No. 97554 and subs.
34005/14	Stud, for Carburetters		8	
307876	Gasket, between Induction Manifold and Cylinder Heads	1—63	2	
UFN.131/L	Nut, securing Carburetters to Induction Manifold Studs		8	
431364	Plug, blanking Servo Adaptor hole in Induction Manifold		1	
431363	Copper Washer, on Plug		1	
UCS.131/8R	Screw, Set, securing Induction Manifold to Cylinder Heads		16	
FG.105/X	Washer, Spring, on Setscrews		16	

ENGINE

Part No.	Description	Part No.	No. per Unit	Remarks
135909	EXHAUST MANIFOLD	1-64	2	
307354	Gasket, between Exhaust Manifolds and Cylinder Heads	1-65	2	
422804	Nut, securing Exhaust Manifolds to Cylinder Head Studs		16	
FW.105/T	Washer, Plain, under Nuts		16	
431030	CRANKSHAFT ASSEMBLY	2-66	1	} Fitted from Engine No. 89001 to 97540
430238	Dowel, in Crankshaft Flange	2-67	2	
1216/14	Bush, in Crankshaft Flange	2-68	1	
C.22796	Plug, in Crankshaft Journals		4	
C.21033	CRANKSHAFT ASSEMBLY		1	} Fitted to Engine No. 97541 and subs.
430238	Dowel, in Crankshaft Flange		2	
1216/14	Bush, in Crankshaft Flange		1	
C.22796	Plug, in Crankshaft Journals		4	
307359	Main Bearing (Front Journal) (Standard)	2-69	2	
307359/1	Main Bearing (Front Journal) (-010" undersize)	2-69	2	
307359/2	Main Bearing (Front Journal) (-020" undersize)	2-69	2	
307359/3	Main Bearing (Front Journal) (-030" undersize)	2-69	2	
307359/4	Main Bearing (Front Journal) (-040" undersize)	2-69	2	
307360	Main Bearing (Intermediate Journal, Top) (Standard)	2-70	3	
307360/1	Main Bearing (Intermediate Journal, Top) (-010" undersize)	2-70	3	
307360/2	Main Bearing (Intermediate Journal, Top) (-020" undersize)	2-70	3	
307360/3	Main Bearing (Intermediate Journal, Top) (-030" undersize)	2-70	3	
307360/4	Main Bearing (Intermediate Journal, Top) (-040" undersize)	2-70	3	
308607	Main Bearing (Intermediate Journal, Bottom) (Standard)	2-70	3	
308607/1	Main Bearing (Intermediate Journal, Bottom) (-010" undersize)	2-70	3	
308607/2	Main Bearing (Intermediate Journal, Bottom) (-020" undersize)	2-70	3	
308607/3	Main Bearing (Intermediate Journal, Bottom) (-030" undersize)	2-70	3	
308607/4	Main Bearing (Intermediate Journal, Bottom) (-040" undersize)	2-70	3	
307362	Main Bearing (Rear Journal) (Standard)	2-71	2	
307362/1	Main Bearing (Rear Journal) (-010" undersize)	2-71	2	
307362/2	Main Bearing (Rear Journal) (-020" undersize)	2-71	2	
307362/3	Main Bearing (Rear Journal) (-030" undersize)	2-71	2	
307362/4	Main Bearing (Rear Journal) (-040" undersize)	2-71	2	
307680/1	Thrust Washer (-0920" thick) for Crankshaft centre Bearing	2-72	2	} ALTERNATIVES
307680/2	Thrust Washer (-0945" thick) for Crankshaft centre Bearing	2-72	2	
307680/3	Thrust Washer (-0970" thick) for Crankshaft centre Bearing	2-72	2	
431242/1	Oil Sealing Ring, at Rear of Crankshaft (-0800"/-0794") (Standard)	2-73	2	} ALTERNATIVES Fitted from Engine No. 89001 to 97540
431242/2	Oil Sealing Ring, at Rear of Crankshaft (-0794"/-0788") (Standard)	2-73	2	
431242/3	Oil Sealing Ring, at Rear of Crankshaft (-0788"/-0782") (Standard)	2-73	2	
432751/1	Oil Sealing Ring, at Rear of Crankshaft (-0900"/-0894") (Oversize)	2-73	2	
432751/2	Oil Sealing Ring, at Rear of Crankshaft (-0894"/-0888") (Oversize)	2-73	2	
432751/3	Oil Sealing Ring, at Rear of Crankshaft (-0888"/-0882") (Oversize)	2-73	2	

ENGINE

Part No.	Description	Plate No.	No. per Unit	Remarks
C.22996	Oil Seal, at rear of Crankshaft		2	Fitted to Engine No. 97541 and subs.
307407	FLYWHEEL ASSEMBLY	2-74	1	} NOT REQUIRED WHEN AUTOMATIC TRANSMISSION IS FITTED
307406	Starter Ring Gear	2-75	1	
420168	Grubscrew, securing Ring Gear		6	
430466	Dowel, locating Clutch Unit	2-76	2	
430465	Bolt, securing Flywheel Assembly to Crankshaft Flange	2-77	6	
430237	Lockplate, on Bolts		3	
422510/39	Key, locating Crankshaft Chainwheel	2-78	2	
307339	CHAINWHEEL ON CRANKSHAFT	2-79	1	
425901	OIL SHIELD ON CRANKSHAFT	2-80	1	
431029	PULLEY ASSEMBLY, ON CRANKSHAFT	2-81	1	
420304	Dowel, locating Pulley	2-82	2	
430912	Nut, securing Damper and Pulley to Crankshaft	2-83	1	
425917	Lockplate, securing Nut	2-84	1	
307644	CRANKSHAFT DAMPER	2-85	1	
LIFR 137/12R C.8667/3	Bolt, securing Pulley, Damper and Fan Nut, Nyloc, on Bolts	2-86	6 6	
136266	FAN AND EXTENSION ASSEMBLY	2-87	1	
308642	Extension Assembly		1	
136405	Fan Assembly		1	
LIFR.125/10R	Bolt, securing Fan to Extension		4	
430994	Bush, Rubber, on Bolts		8	
430995	Sleeve, on Bolts		8	
C.8667/1	Nut, Nyloc, on Bolts		4	
431206	Washer, Plain, under Nuts		4	
307332	CONNECTING ROD ASSEMBLY	2-88	8	
307349	Bearing, small end	2-89	8	
C.22236	Bolt, securing Bearing Caps	2-90	16	
430424	Nut, Nyloc, on Bolts		16	
307715	Bearing (Big End) (Standard)	2-91	16	
307715/1	Bearing (Big End) (-010" undersize)	2-91	16	
307715/2	Bearing (Big End) (-020" undersize)	2-91	16	
307715/3	Bearing (Big End) (-030" undersize)	2-91	16	
307715/4	Bearing (Big End) (-040" undersize)	2-91	16	

ENGINE

Part No.	Description	Plate No.	No. per Unit	Remarks
308732	PISTON ASSEMBLY (STANDARD)	2-92	8	} Fitted from Engine No. 89001 to 97371
308864	PISTON ASSEMBLY (.010" OVERSIZE)	2-92	8	
308865	PISTON ASSEMBLY (.020" OVERSIZE)	2-92	8	
308866	PISTON ASSEMBLY (.030" OVERSIZE)	2-92	8	
308867	PISTON ASSEMBLY (.040" OVERSIZE)	2-92	8	
430406	Pressure Ring (Upper) Chrome Plated (Standard)	2-93	8	
431517	Pressure Ring (Upper) Chrome Plated (.010" oversize)	2-93	8	
431518	Pressure Ring (Upper) Chrome Plated (.020" oversize)	2-93	8	
431519	Pressure Ring (Upper) Chrome Plated (.030" oversize)	2-93	8	
431520	Pressure Ring (Upper) Chrome Plated (.040" oversize)	2-93	8	
430407	Pressure Ring (Lower) Taper (Standard)	2-94	8	
431521	Pressure Ring (Lower) Taper (.010" oversize)	2-94	8	
431522	Pressure Ring (Lower) Taper (.020" oversize)	2-94	8	
431523	Pressure Ring (Lower) Taper (.030" oversize)	2-94	8	
431524	Pressure Ring (Lower) Taper (.040" oversize)	2-94	8	
432209	Scraper Ring (Standard)	2-95	8	
432552	Scraper Ring (.010" oversize)	2-95	8	
432553	Scraper Ring (.020" oversize)	2-95	8	
432554	Scraper Ring (.030" oversize)	2-95	8	
432555	Scraper Ring (.040" oversize)	2-95	8	
431449	Gudgeon Pin, retaining Pistons on connecting Rods	2-96	8	
430385	Circlip, securing Gudgeon Pins in Pistons	2-97	16	
C.21040	PISTON ASSEMBLY (STANDARD)		8	} Fitted to Engine No. 97372 and subs.
C.21137	Pressure Ring (Upper) Chrome Plated		8	
C.21138	Pressure Ring (Lower) Taper		8	
C.22111	Scraper Ring (Maxiflex '50')		8	
431449	Gudgeon Pin, retaining Pistons on Connecting Rods		8	
430385	Circlip, securing Gudgeon Pins in Pistons		16	
	THESE PISTONS AND RINGS are obtainable in the following oversizes:— +.010" +.020" +.030" +.040"			
	When ordering Oversize Pistons for C.21040 please quote Part Number and Oversize required (e.g. C.21040/20 for .020" oversize)			
C.21282	CAMSHAFT	2-98	1	
430365	Thrust Plate, at rear end of Camshaft	2-99	1	
11CS 131/5R	Screw, Sec. securing Thrust Plate to Cylinder Block		2	
C22295	Lockplate, securing Setscrews		1	
422510/15	Key, locating Chainwheel on Camshaft	2-100	1	
430364	Thrust Washer, at front end of Camshaft	2-101	1	
307925	Chainwheel, on Camshaft	2-102	1	
430399	Nut, securing Chainwheel to Camshaft	2-103	1	
430400	Lockplate, securing Nut	2-104	1	

ENGINE

Part No.	Description	Plate No.	No. per Unit	Remarks
307363	TIMING CHAIN	2-105	1	
430388	TAPPET ASSEMBLY	2-106	16	
430563	Ball End, for Tappet	2-107	16	
430754	INLET PUSH ROD ASSEMBLY	2-108	8	
430756	EXHAUST PUSH ROD ASSEMBLY	2-109	8	
307358	INLET VALVE	2-110	8	
307620	EXHAUST VALVE	2-111	8	
425910	Split Cone (2 Halves)	2-112	16	USE PART Nos. 432971 AND 432971/1 FOR ALL REPLACEMENTS
432971	Split Cone (Plain Half)		16	
432971/1	Split Cone (Padded Half)		16	
430452	Collar, at top of Valve Springs	2-113	16	
C.21687	VALVE SPRING (OUTER)	2-114	16	
C.21688	VALVE SPRING (INNER)	2-115	16	
430980	Seating Washer, for Valve Springs	2-116	16	
431000	VALVE GUIDE (INLET)	2-117	8	
431251	VALVE GUIDE (EXHAUST)	2-118	8	
307368	ROCKER SHAFT ASSEMBLY (INLET)	2-119	2	
307370	ROCKER SHAFT ASSEMBLY (EXHAUST)	2-120	2	
430425	ROCKER SHAFT BRACKET ASSEMBLY (INTERMEDIATE)	2-121	12	
431712	ROCKER SHAFT BRACKET ASSEMBLY (AT EACH END OF SHAFT)	2-122	8	
430381	Dowel, in Rocker Shaft Brackets	2-123	20	
430551	Screw, locating Rocker Shafts in end Brackets	2-124	4	
430552	Lockplate, securing Setscrews		4	

ENGINE

Part No.	Description	Platc No.	No. per Unit	Remarks
307352	VALVE ROCKER (INLET)	2-125	8	
307353	VALVE ROCKER (EXHAUST)	2-126	8	
430411	Spacing Spring, between Rockers and Brackets	2-127	16	
430412	Spacing Washer, between Rockers, Springs and Brackets	2-128	48	
431011	Ball End, on Valve Rockers	2-129	16	
430419	Nut, securing Ball End	2-130	16	
307845	WATER PUMP ASSEMBLY	3-131	1	
10330	Pump Body (18380)		1	
431367	Bearing, in Body (18038)	3-132	1	
431368	Screw, locating Bearing in Body (18217)	3-133	1	
431369	Washer, Fibre, on Locating Screw (18169/2)	3-134	1	
308000	Impeller, on Spindle (18391)	3-135	1	
431370	Seal, for Bearing (18028)	3-136	1	
431371	Thrower Ring, on Spindle (18040)	3-137	1	
307558	Pulley, on Spindle	3-138	1	
135916	WATER PUMP INLET PIPE	3-139	1	
431172	Gasket, between Pump Body and Inlet Pipe	3-140	1	
UCS.131/7R	Screw, Set, securing Water Pump to Water Inlet Pipe		5	
FG.105/X	Washer, Spring, on Setscrews		5	
430429	Gasket, between Water Inlet Pipe Flanges and Cylinder Block	3-141	2	
UCS.131/8R	Screw, Set, securing Water Inlet Pipe to Cylinder Block		4	
FG.105/X	Washer, Spring, on Setscrews		4	
135938	WATER OUTLET PIPE, CONNECTING CYLINDER HEADS	3-142	1	
430429	Gasket, between Water Outlet Pipe Flanges and Cylinder Heads	3-143	2	
UCS.131/8R	Screw, Set, securing Water Outlet Pipe to Cylinder Heads		4	
FG.105/X	Washer, Spring, on Setscrews		4	
304358	THERMOSTAT UNIT IN WATER OUTLET PIPE (1572115) (OPENS AT 173°F)	3-144	1	
308080	WATER TEMPERATURE GAUGE ELEMENT IN WATER OUTLET PIPE (TT. 3800/00)		1	
307548	WATER OUTLET PIPE EXTENSION TO RADIATOR TOP HOSE	3-145	1	
422718	Gasket, between Extension and Water Outlet Pipe	3-146	1	
UCS.131/7R	Screw, Set, securing Extension to Water Outlet Pipe		2	
FG.105/X	Washer, Spring, on Setscrews		2	

ENGINE

Part No.	Description	Part No.	No. per Unit	Remarks
308074	WATER PIPE, FROM WATER OUTLET PIPE TO INDUCTION MANIFOLD	3—147	1	
431495	Elbow, Rubber, connecting Water Pipe to Water Outlet Pipe	3—148	1	
431494	Tee Piece, Rubber, connecting Water Pipe to Induction Manifold	3—149	1	
422522/04	Clip, securing Elbow and Tee Piece		4	
431496	Plug, in Tee Piece	3—150	1	} NOT REQUIRED WHEN HEATER IS FITTED
422522/03	Clip, securing Plug in Tee Piece		1	
308073	WATER PIPE, FROM WATER PUMP TO TEE PIECE	3—151	1	
425931	Hose, connecting Water Pipe to Water Pump	3—152	1	
422522/04	Clip, securing Hose to Water Pipe and Water Pump		2	
431494	TEE PIECE	3—153	1	
422522/04	Clip, securing Tee Piece to Water Pipes		2	
431496	Plug, in Tee Piece	3—154	1	} NOT REQUIRED WHEN HEATER IS FITTED
422522/03	Clip, securing Plug in Tee Piece		1	
431493	WATER PIPE, FROM TEE PIECE TO INDUCTION MANIFOLD	3—155	1	
431495	Elbow, Rubber, connecting Water Pipe to Induction Manifold	3—156	1	
422522/04	Clip, securing Elbow to Water Pipe and Induction Manifold		2	
C.23528	OIL PUMP ASSEMBLY		1	Fitted from Engine No. 89001 to 97664
430360	Body Assembly	4—157	1	
430160	Bush, in Body	4—158	1	
427569	Pin, for Driven Gear, in Body	4—159	1	
430306	Driving Gear, for Oil Pump	4—163	1	
430307	Driven Gear Assembly, for Oil Pump	4—164	1	
430354	Cover and Strainer Assembly	4—165	1	
UCS.125/6R	Screw, securing Cover and Strainer	4—166	4	
423044	Lockplate, securing Screw	4—167	2	
430362	Spindle, for Oil Pump	4—168	1	
422510/11	Key, locating Spiral Gear on Spindle	4—169	1	
430363	Spiral Gear, on Spindle	4—170	1	
401831	Thrust Washer, under Spiral Gear	4—171	1	
C.22756	Relief Valve, in Oil Pump Body	4—172	1	
431498	Spring, for Relief Valve	4—173	1	
431948	Cap, retaining Spring	4—174	1	
431949	Lockplate, securing Cap	4—175	1	
C.22490	OIL PUMP ASSEMBLY		1	Fitted to Engine No. 97665 and subs.
C.20972	Driving Gear, for Oil Pump		1	
C.20971	Spindle, for Oil Pump		1	
	All other items are as for Oil Pump Assembly C.23528			

ENGINE

Part No.	Description	Plate No.	No. per Unit	Remarks
430374 UCS.131/6R 430356	Gasket, between Oil Pump Body and Rear Bearing Cap Screw, Set, securing Oil Pump to Rear Bearing Cap Lockplate, securing Setscrews	4-160 4-161 4-162	1 3 3	
307662	AIR CLEANER ASSEMBLY	4-176	2	
UFS.131/6R FG.105/X	Screw, Set, securing Air Cleaner to Carburetters Washer, Spring, on Setscrews		4 4	
431500	BREATHER HOSE	4-177	2	
423176/06	Clip, securing Hoses to Air Cleaners and Carburetters		4	
307963	OIL CLEANER ASSEMBLY (7961049)		1	
307963/01	Body Assembly (complete with Balance Valve) (7961048)	4-178	1	
307963/02	Gasket, between Body and Shell (1530764)	4-179	1	
307963/03	Seal, at top of Element (1531283)	4-180	1	
307963/04	Shell Assembly (7961046)	4-181	1	
307963/03	Seal, at bottom of Element (1531283)	4-180	1	
307963/05	Element (AC.20)	4-182	1	
10077	Retainer, for Element and bottom Seal (1531382)		1	
10078	Spring, between Retainer and Shell (1531912)		1	
307963/06	Bolt, securing Shell to Body (1530317)	4-183	1	
307963/07	Washer (Aluminium) on Bolts (1530710)	4-184	1	
430427 UCS.131/8R FG.105/X	Gasket, between Oil Cleaner and Cylinder Block Screw, Set, securing Oil Cleaner to Cylinder Block Washer, Spring, on Bolts	4-185	1 4 4	
431360	UNION, ON OIL CLEANER FOR OIL PRESSURE PIPE	4-186	1	
308621	PIPE ASSEMBLY FOR OIL PRESSURE GAUGE		1	
431857	ADAPTOR PLATE FOR OIL CLEANER BODY		1	} Fitted from Engine No. 89001 to 89109 only
431858	Gasket, between Adaptor Plate and Oil Cleaner Body		1	
136183	DYNAMO ASSEMBLY (C.40/I-22704)		1	
136183/01	Brush (227541)	5-187	1 set	
136183/02	Bracket, commutator end (54211125)	5-188	1	
9704	Bearing, for C.E. Bracket (227818)		1	
9017	Spring, for Brush Tension (227542)	5-189	1 set	
9705	Bracket, driving end (54211095)	5-190	1	
2756	Bearing, for D.E. Bracket (189307)		1	
136183/08	Field Coil (227543)	5-191	1 set	
136183/09	Armature (54214237)	5-192	1	
8586	Nut, on Shaft (198800)	5-193	1	

ENGINE

Part No.	Description	Plate No.	No. per Unit	Remarks
308058	DYNAMO MOUNTING BRACKET ASSEMBLY	5-194	1	
431972/01	Shim (.010" thick) adjusting Bracket		As req'd	
431972/02	Shim (.015" thick) adjusting Bracket		As req'd	
UFN.131/L	Nut, securing Bracket to Studs on Tappet Block	5-195	4	
431028	Lockplate, securing Nuts	5-196	2	
UFB.131/8R	Bolt, securing Dynamo to Bracket	5-197	2	
UFN.131/L	Nut, on Bolts	5-198	2	
432745	Washer, Plain, on Bolts	5-199	2	
FG.105/X	Washer, Spring, under Nuts	5-200	2	
UCS.131/7R	Screw, Set, securing Dynamo at adjusting Link	5-201	1	
401883	Serrated Washer, on Bolt	5-202	1	
FG.105/X	Washer, Spring, on Bolt	5-203	1	
431465	DYNAMO FAN ASSEMBLY	5-204	1	
307385	DYNAMO PULLEY	5-205	1	
307924	FAN BELT	5-206	1	
133544	STARTER MOTOR (M.418G—25533D)		1	
2804	Brush (255659)	5-207	1 set	
2811	Spring, for Brush tension (270004)		1 set	
2800	Armature (255463)	5-208	1	
2810	Field Coils (256578)		1 set	
2801	Bearing, for C.E. Bracket (255491)	5-209	1	
6546	Bracket, Commutator end (256748)	5-210	1	
6547	Bracket, Driving end (256495)		1	
2812	Bearing, D.E. Bracket (270038)		1	
133544/07	Cover Band (255557)	5-211	1	
133544/09	Spring, behind Drive Pinion (255728)	5-212	1	
912672	Pinion and Sleeve (255194)	5-213	1	
133544/11	Main Spring (270889)	5-214	1	
133544/12	Nut, on Shaft (255851)	5-215	1	
UFB.137/18R	Bolt, securing Starter Motor		2	
C.8667/3	Nut, Nyloc, on Bolts		2	
307670	DISTRIBUTOR ASSEMBLY (20D8—40676E)		1	NOT REQUIRED WHEN AUTOMATIC TRANSMISSION IS FITTED
9708	Cap (54411740)	5-216	1	
6749	Brush and Spring, inside Cap (418856)		1	
9709	Rotor Arm (425620)	5-217	1	
9711	Condenser (54411935)	5-218	2	
9710	Contact Set (54411772)	5-219	2	
9713	Vacuum Unit (54411675)	5-220	1	
9712	Springs, Auto advance (54411934)		1 set	
136104/07	Cam (54413267)		1	
136104/08	Toggle (407131)		2	
136104/09	Weight (54413276)		2	
136104/10	Shaft and Action Plate (54413270)		1	
2755	Bearing (189272)		1	
6501	Oil Seal (418723)		1	

ENGINE

Part No.	Description	Platc No.	No. per Unit	Remarks
DISTRIBUTOR ASSEMBLY (Cont.)				
9714	Bush (423571)		1	
304646	Ignition Lever (418190)	5—221	1	
413819	Washer (Celeron) under Driving Collar	5—222	1	
431539	Driving Collar	5—223	1	
422524/30	Mills Pin, retaining Collar		1	
308844	DISTRIBUTOR ASSEMBLY (20D6—40676E)		1	REQUIRED WHEN AUTOMATIC TRANSMISSION IS FITTED
432513	Driving Collar		1	
422524/32	Mills Pin, retaining Collar		1	
	All other items are as for Distributor Assembly 307670			
UFS.125/5R FW.104/T	Screw, Set, securing Ignition Lever to Mounting Bracket	5—224	2	
	Washer, Plain, on Setscrews	5—225	2	
307546	BRACKET, MOUNTING DISTRIBUTOR	5—226	1	NOT REQUIRED WHEN AUTOMATIC TRANSMISSION IS FITTED
308832	BRACKET, MOUNTING DISTRIBUTOR		1	REQUIRED WHEN AUTOMATIC TRANSMISSION IS FITTED
UFS.125/7R FG.104/X	Screw, Set, securing Bracket to Cylinder Block	5—227	1	
	Washer, Spring, on Setscrew	5—228	1	
UFS.131/10R FG.105/X	Screw, Set, securing Bracket to Cylinder Block	5—229	1	
	Washer, Spring, on Setscrew	5—230	1	
307707	REV COUNTER PINION	5—231	1	
431003	ADAPTOR ASSEMBLY FOR REV COUNTER PINION	5—232	1	
424789	Bush, in Adaptor	5—233	1	
430690 FG.105/X	Screw, locating Adaptor in Distributor Bracket	5—234	1	
	Washer, Spring, on Locating Screw	5—235	1	
431404	RUBBER RING FOR H.T. CABLES	5—236	2	
308101	IGNITION COIL (HA.12—45102/F)	5—237	1	
UCS.131/4R FW.105/T FG.105/X	Screw, Set, securing Coil to Dash		2	
	Washer, Plain, on Setscrews		2	
	Washer, Spring, on Setscrews		2	
N.8	SPARKING PLUG (CHAMPION)	5—238	8	
431262/01	HIGH TENSION CABLE ASSEMBLY FROM COIL TO DISTRIBUTOR	5—239	1	

ENGINE

Part No.	Description	Plate No.	No. per Unit	Remarks
HIGH TENSION SPARKING PLUG LEADS				
432619/17	Lead to No. 1 R.H. Sparking Plug	5-240	1	} HOME MODELS ONLY 1st CONDITION
432619/12	Lead to No. 2 R.H. Sparking Plug	5-240	1	
432619/07	Lead to No. 3 R.H. Sparking Plug	5-240	1	
432619/07	Lead to No. 4 R.H. Sparking Plug	5-240	1	
432619/12	Lead to No. 1 L.H. Sparking Plug	5-240	1	
432619/12	Lead to No. 2 L.H. Sparking Plug	5-240	1	
432619/05	Lead to No. 3 L.H. Sparking Plug	5-240	1	
432619/05	Lead to No. 4 L.H. Sparking Plug	5-240	1	
431252	HIGH TENSION CABLE	5-241	As req'd	} EXPORT MODELS ONLY 1st CONDITION
425258	Terminal Washer, at Lead ends	5-242	10	
425483	Terminal Nut, on Distributor	5-243	9	
425257	Terminal Nut, on Coil	5-244	1	
432602	Holder, at Plug end of Leads	5-245	8	
431704	Connector, at Plug end of Leads	5-246	8	
430437	Ring, Rubber, for Leads	5-247	8	
Note:—Use the Assemblies shown below for all H.T. Lead replacements				
HIGH TENSION SPARKING PLUG LEADS				
432659/10	Lead to No. 1 R.H. Sparking Plug		1	} ALL MODELS 2nd CONDITION
432659/12	Lead to No. 2 R.H. Sparking Plug		1	
432659/06	Lead to No. 3 R.H. Sparking Plug		1	
432659/06	Lead to No. 4 R.H. Sparking Plug		1	
432659/12	Lead to No. 1 L.H. Sparking Plug		1	
432659/06	Lead to No. 2 L.H. Sparking Plug		1	
432659/04	Lead to No. 3 L.H. Sparking Plug		1	
432659/04	Lead to No. 4 L.H. Sparking Plug		1	
432665	EXTENSION FOR SPARKING PLUG		8	} ALL MODELS 2nd CONDITION
432663	Contact Clip, in Extension		8	
432658	Spring Ring, for Contact Clip		8	
135996	CARBURETTERS (HD6)		1 Pair	
9689	Body only (AUC.8243)	6-248	1	L.H. CARBURETTER
135958/01	Body only (AUC.8249)	6-249	1	R.H. CARBURETTER
135996/03	Throttle Spindle (AUC.4767)	6-250	2	
134640/04	Throttle Disc (AUC.3280)	6-251	2	
7046	Screw, securing Disc to Spindle (AUC.1358)		4	
135060/30	Stop, for Throttle (AUC.2022)	6-252	1	L.H. CARBURETTER
135996/04	Stop, for Throttle (AUC.2023)	6-253	1	R.H. CARBURETTER
5485	Taper Pin, for Throttle Stop (AUC.2106)		2	
9690	Lever Assembly, (AUC.8239)	6-254	2	
5803	Bolt, securing Lever to Spindle (AUC.2694)	6-255	2	
5614	Nut, on Bolts (AUC.2156)	6-256	2	
9692	Suction Chamber Assembly (AUC.8064)	6-257	2	
135996/06	Piston Spring (Yellow) (AUC.1167)	6-258	2	
6961	Damper Assembly (AUC.8102)	6-259	2	

ENGINE

Part No.	Description	Plate No.	No. per Unit	Remarks
CARBURETTERS (Cont.)				
5816	Screw, securing Suction Chamber to Body (AUC. 2175)	6-260	6	
135996/07	Jet Needle (T5)	6-261	2	
7673	Jet Housing (AUD.9321)	6-262	1	L.H. CARBURETTER
9694	Jet Housing (AUD.9320)	6-263	1	R.H. CARBURETTER
5780	Stop Screw, in Housing (AUC.2521)	6-264	2	
5682	Spring, on Stop Screw (AUC.2451)	6-265	2	
6957	Diaphragm Assembly (AUC.8155)	6-266	2	
6958	Jet Bearing (AUC.2001)	6-267	2	
6959	Nut, locking Jet Bearing (AUC.2002)	6-268	2	
6960	Spring, under Jet Diaphragm (AUC.2006)	6-269	2	
9697	Shoe and Rod Assembly (AUC.8964)	6-270	2	
8760	Return Spring, for Shoe and Rod Assembly (AUC. 2020)	6-271	2	
8761	Plate, at top of Shoe and Rod Assembly (AUC.2019)	6-273	2	
7879	Screw, securing Plate (AUC.4790)	6-274	2	
5780	Screw, in Plate, operating Choke/Throttle Control (AUC.2521)	6-275	2	
5682	Spring, on Screw (AUC.2451)	6-276	2	
6967	Valve, for Slow-running adjustment (AUC.2028)	6-277	2	
6966	Spring, for Slow-run Valve (AUC.2027)	6-278	2	
6968	Gland Washer, for Slow-run Valve (AUC.2029)	6-279	2	
6969	Dished Washer (Brass) at top of Gland Washer (AUC.2030)		2	
7868	Adaptor, for Vacuum Suction Pipe (AUC.8190)	6-280	1	
7091	Gasket, under Adaptor (AUC.2014)	6-281	1	L.H. CARBURETTER
7961	Screw, securing Adaptor (AUC.5156)	6-282	2	
9695	Float Chamber (AUC.2067)	6-283	1	R.H. CARBURETTER
9696	Float Chamber (AUC.2062)	6-284	1	
7115	Bolt, securing Float Chamber to Carburetters (AUC. 2110)	6-285	8	
1090	Float (AUC.1123)	6-286	2	
7118	Hinged Lever, operating Float Needle (AUC.1980)	6-287	2	
1153	Pin, securing Hinge Lever to Float Chamber Lid (AUC.1152)	6-288	2	
6970	Needle and Seat, controlling flow of Petrol to Float Chamber (AUC.8170)	6-289	2	
135996/16	Lid, for Float Chamber (AUC.4103)		1	L.H. CARBURETTER
9703	Lid, for Float Chamber (AUC.4106)	6-290	1	R.H. CARBURETTER
7119	Gasket, under Float Chamber Lid (AUC.1147)	6-291	2	
1163	Cap Nut, securing Lid (AUC.1163)	6-292	2	
7120	Aluminium Washer, under Cap Nut (AUC.1557)	6-293	2	
432539	Ball Pin, on Mixture Levers		2	
422543/2	Nut, securing Ball Pins		2	
FG.104/X	Washer, Spring under Nuts		2	
430979	INSULATOR, BETWEEN CARBURETTERS AND INDUCTION MANIFOLD	6-295	2	
432974/01	PETROL PIPE, BETWEEN CARBURETTERS	6-296	1	Fitted from Engine No. 89001 to 97437
C.20317/01	PETROL PIPE ASSEMBLY, BETWEEN CARBURETTERS		1	Fitted to Engine No. 97438 and subs.
C.20295	Olive, at connection of Pipe to Carburetters		2	
C.20294	Union Nut, securing Pipe to Carburetters		2	

ENGINE

Part No.	Description	Plate No.	No. per Unit	Remarks
136693	OVERFLOW PIPE, FOR R.H. CARBURETTER	6-297	1	} Fitted from Engine No. 89001 to 97553
136692	OVERFLOW PIPE, FOR L.H. CARBURETTER		1	
432975	CORAGRIP PIPE CONNECTING OVERFLOW PIPES TO CARBURETTERS		2	
431354	Clip, securing Overflow Pipes		4	
C.22384	OVERFLOW PIPE, FOR R.H. CARBURETTER		1	} Fitted to Engine No. 97544 and subs.
C.22385	OVERFLOW PIPE, FOR L.H. CARBURETTER		1	
C.22386	CORAGRIP PIPE CONNECTING OVERFLOW PIPE TO CARBURETTERS		2	
431354	Clip, securing Overflow Pipes		4	
307991	SUCTION PIPE ASSEMBLY	6-298	1	
422519/01	Nipple, on Pipe		1	
422520/01	Union Nut, on Pipe		1	
C.14212	Connector, Rubber, connecting Suction Pipe to L.H. Carburettor	6-299	1	

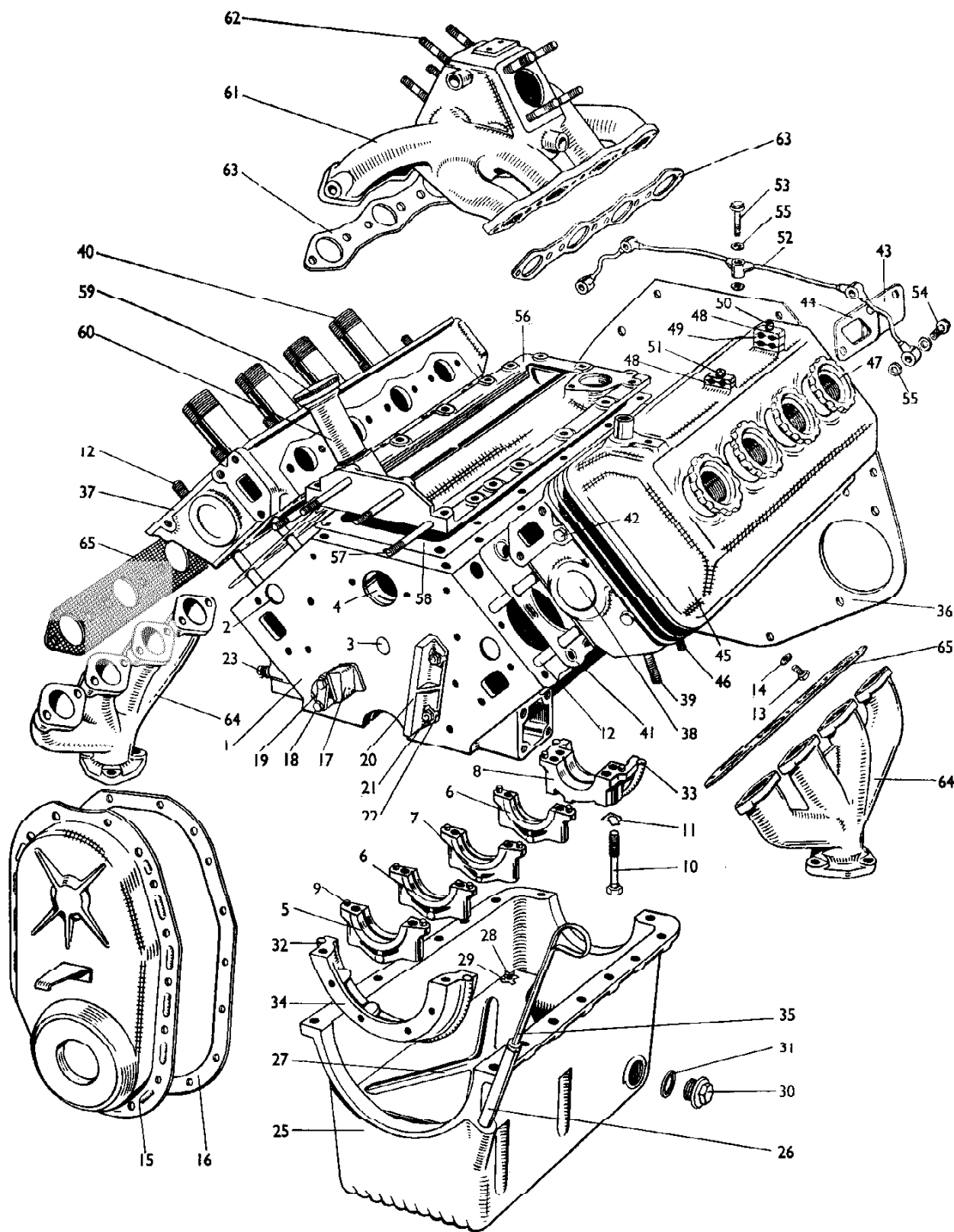


PLATE I

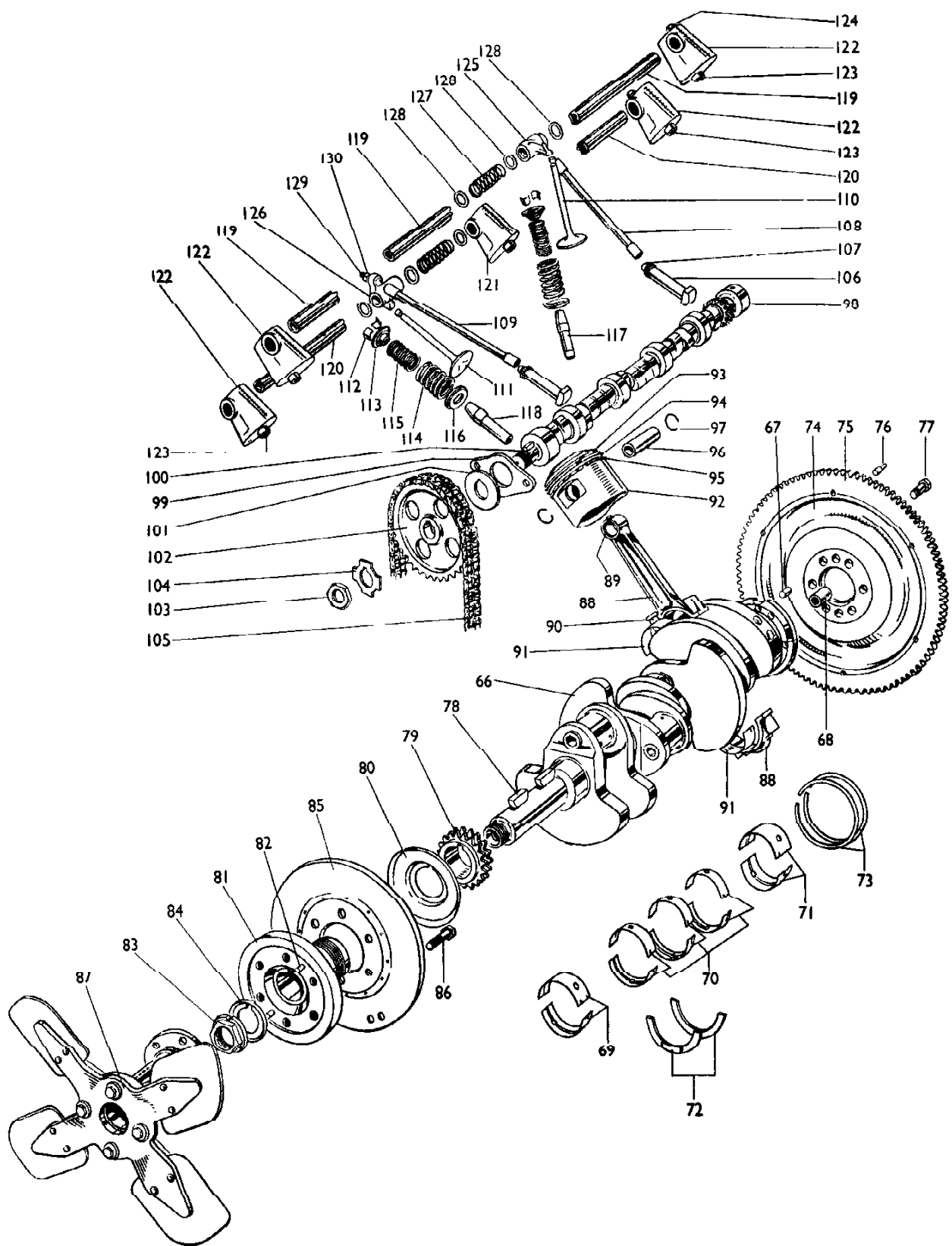


PLATE 2

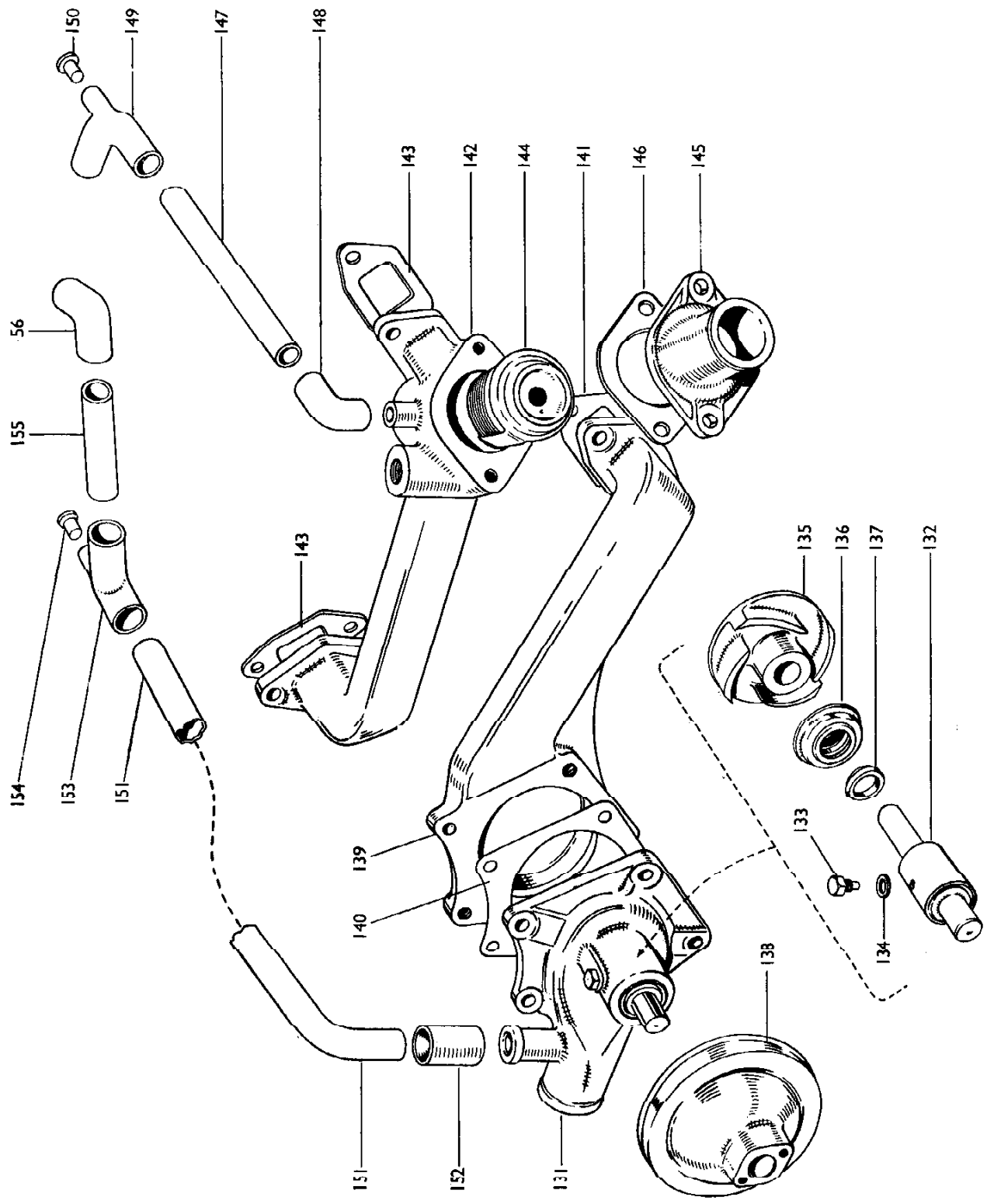


PLATE 3

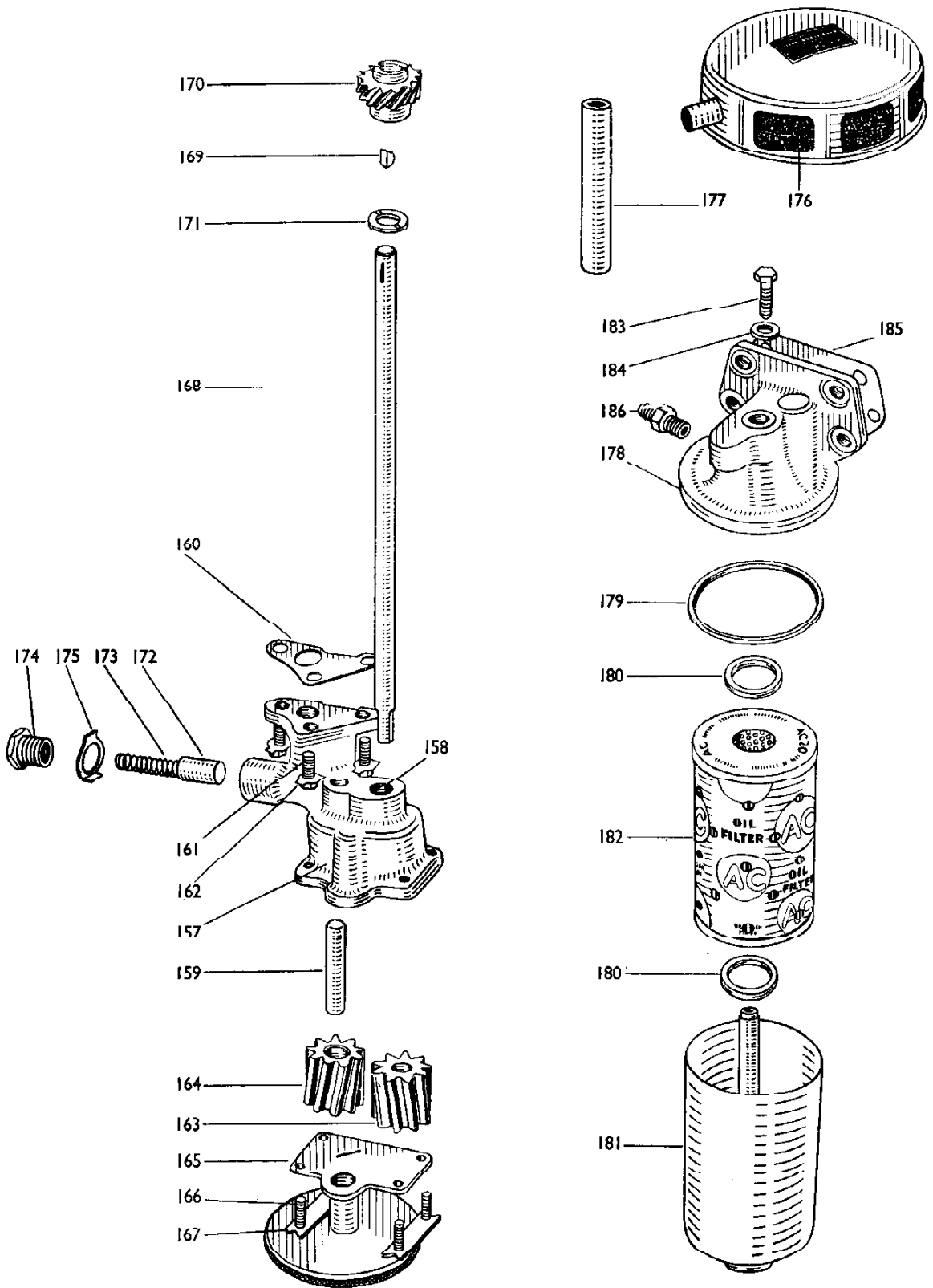


PLATE 4

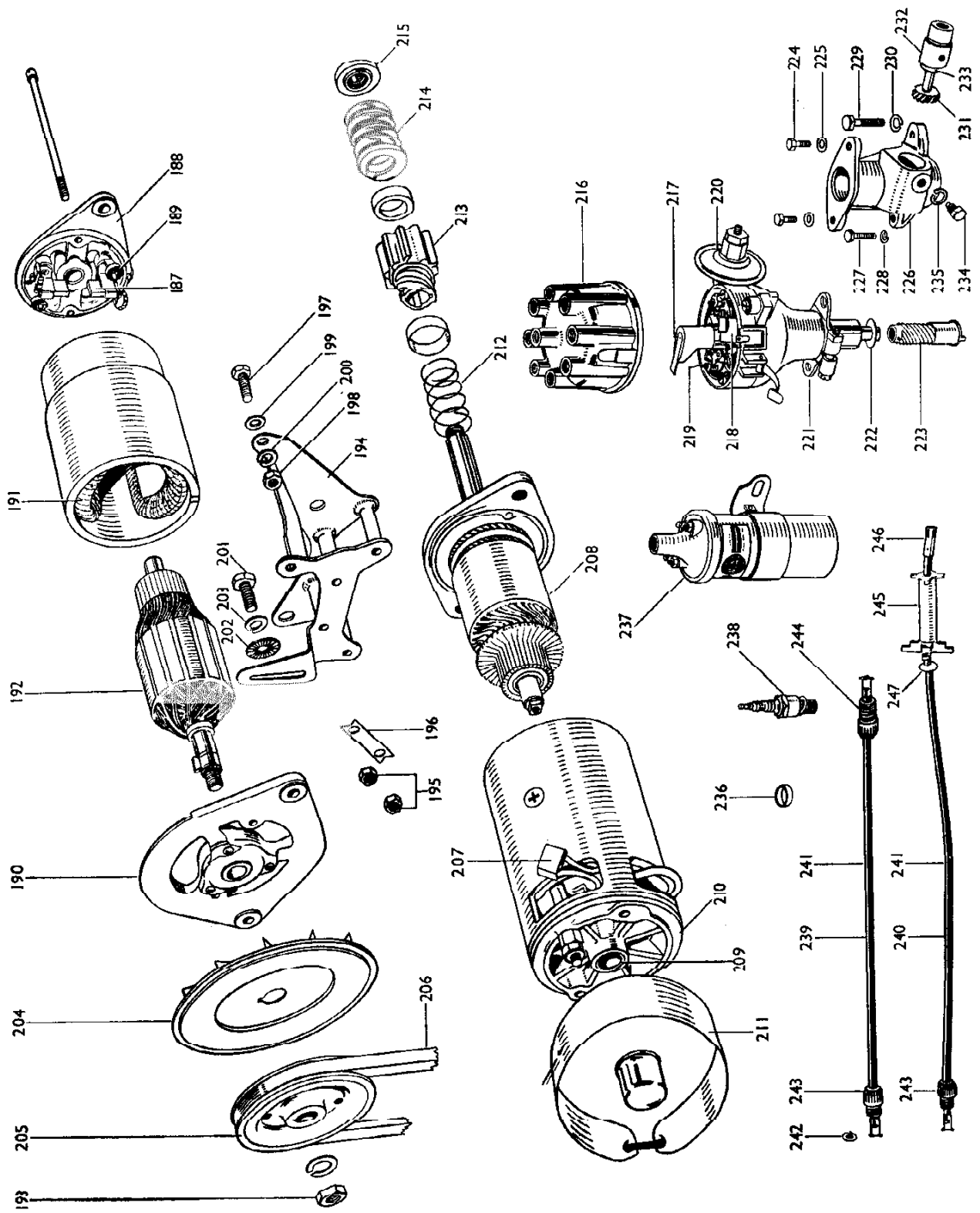


PLATE 5

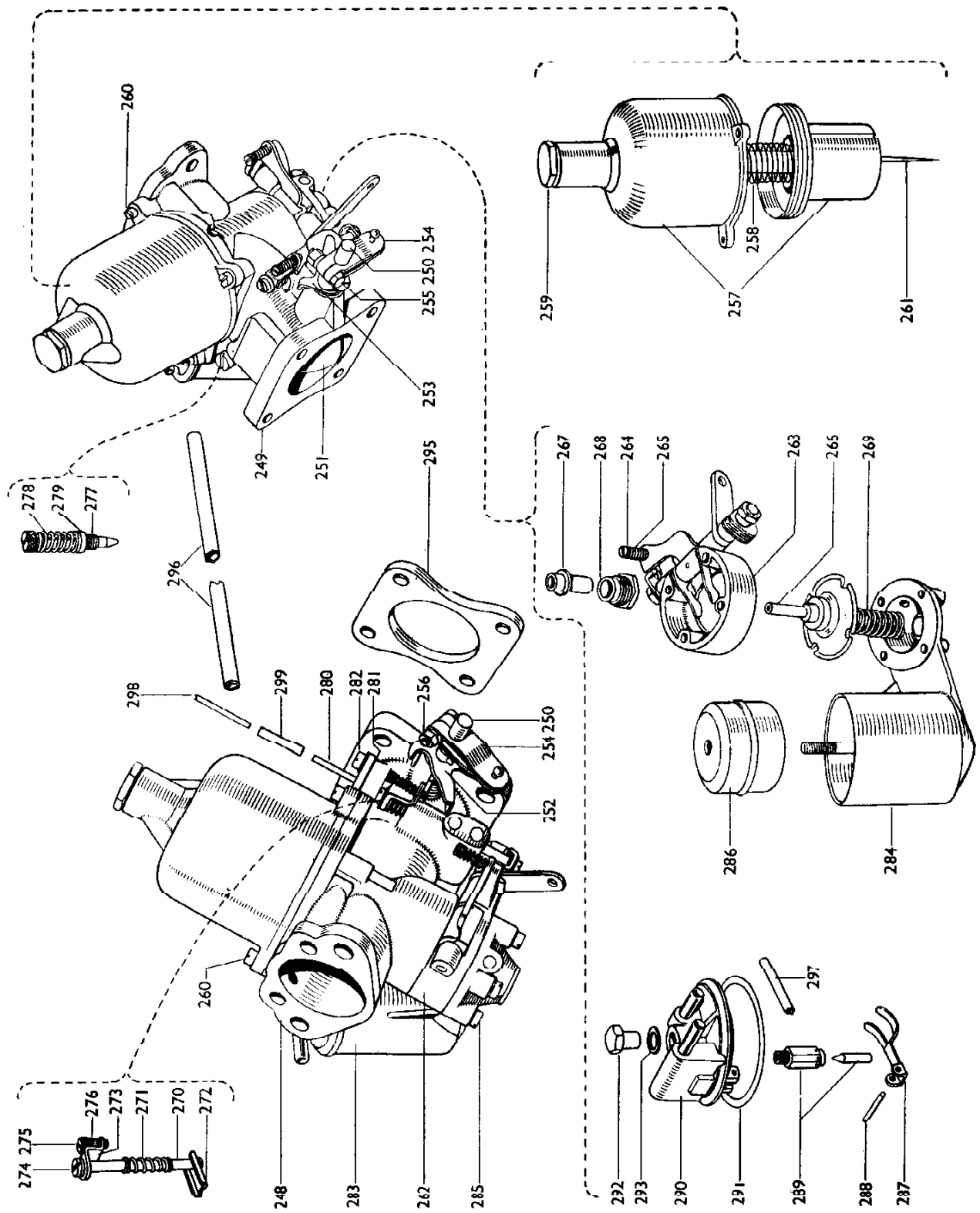


PLATE 6

ACCELERATOR CONTROLS

(STANDARD TRANSMISSION)

Part No.	Description	Plate No.	No. per Unit	Remarks
307930	ACCELERATOR PEDAL ASSEMBLY		1	R.H. DRIVE CARS ONLY
308025	ACCELERATOR PEDAL ASSEMBLY	7-1	1	L.H. DRIVE CARS ONLY
431507	Return Spring , for Pedal Assembly	7-2	1	
UFS.125/6R	Screw , Set, clamping Pedal Assembly to Cross Shaft	7-3	1	
FG.104/X	Washer , Spring, on Setscrew	7-4	1	
FW.104/T	Washer , Plain, between Pedal and Bracket	7-5	1	
432037	STOP FOR ACCELERATOR PEDAL		1	R.H. DRIVE CARS ONLY
UFS.125/5R	Screw , Set, securing Pedal Stop		2	
UFN.125/L	Nut , on Setscrews		2	
FW.104/T	Washer , Plain, on Setscrews		2	
FG.104/X	Washer , Spring, under Nuts		2	
432046	STOP FOR ACCELERATOR PEDAL		1	L.H. DRIVE CARS ONLY
90018/04	Bolt , securing Pedal Stop		2	
430684	BRACKET ASSEMBLY (OUTER) FOR ACCELERATOR CROSS SHAFT	7-6	1	
0608/08	Bush , in Bracket	7-7	1	
90018/06	Bolt , securing Bracket to Dash	7-8	2	
431419	BRACKET ASSEMBLY (INNER) FOR ACCELERATOR CROSS SHAFT	7-10	1	
0608/08	Bush , in Bracket	7-11	1	
90018/06	Bolt , securing Bracket to Dash	7-12	2	
431286	CROSS SHAFT ASSEMBLY FOR ACCELERATOR PEDAL		1	R.H. DRIVE CARS ONLY
431413	CROSS SHAFT ASSEMBLY FOR ACCELERATOR PEDAL	7-14	1	L.H. DRIVE CARS ONLY
FW.106/T	Washer , Plain, between Lever on Cross Shaft and Inner Bracket	7-15	As req'd	
432277	Grommet , in Dash for Cross Shaft	7-16	1	
424813	Ball Pin , on Lever	7-17	1	
UFN.119/L	Nut , securing Ball Pin	7-18	1	
AG.102/X	Washer , Spring, under Nut		1	

ACCELERATOR CONTROLS

(STANDARD TRANSMISSION)

Part No.	Description	Plate No.	No. per Unit	Remarks
431410	THROTTLE CONTROL ROD, FROM CROSS SHAFT LEVER TO CONTROL BRACKET	7-19	1	
UFN.125/L 420963/3	Nut, on Control Rod securing Ball Socket Ball Socket, on Control Rod	7-20 7-21	2 2	
307761	THROTTLE AND MIXTURE CONTROL BRACKET ASSEMBLY	7-22	1	
431065	R.H. Throttle Lever and Spindle	7-23	1	
431068	L.H. Throttle Lever	7-24	1	
431061	R.H. Mixture Lever and Spindle	7-25	1	
431063	L.H. Mixture Lever	7-26	1	
422524/08	Mills Pin, for L.H. Levers		2	
424813	Ball Pin, on Throttle and Mixture Levers	7-27	5	
UFN.119/L AG.102/X	Nut, securing Ball Pins Washer, Spring, under Nuts	7-28	5 5	
UCS.131/8R	Screw, Set, securing Control Bracket to Induction Manifold	7-29	2	
FG.105/X 431417	Washer, Spring, on Setscrews Anchorage, for Throttle Return Spring	7-30 7-31	2 1	
428770	THROTTLE RETURN SPRING	7-32	1	
431097	THROTTLE CONTROL ROD FROM CONTROL BRACKET TO CARBURETTERS	7-33	2	
UFN.119/L 424822/3	Nut, on Control Rods, securing Ball Sockets Ball Socket, on Control Rods	7-34 7-35	4 4	
431074	MIXTURE CONTROL ROD FROM CONTROL BRACKET TO CARBURETTERS	7-36	2	
UFN.119/L 424822/3	Nut, on Control Rods securing Ball Sockets Ball Socket, on Control Rods	7-37 7-38	2 2	
427461	Washer, Plain, behind Split Pins	7-39	2	
L.102/5U	Split Pin, securing Control Rods to Levers on Carburetters		2	
307759/05	MIXTURE CONTROL CABLE ASSEMBLY	7-40	1	
431607	Knob, inscribed 'M', on Cable	7-41	1	
432279	Grommet, in Dash, for Control Cable		1	
405315	Clip, securing Control Cable	7-42	1	
426933/35	Screw, securing Clip		1	
426935/4	Nut, on Screw		1	
AG.102/X	Washer, Spring, under Nut		1	
431529	Designation Plate, "MIXTURE"	7-43	1	

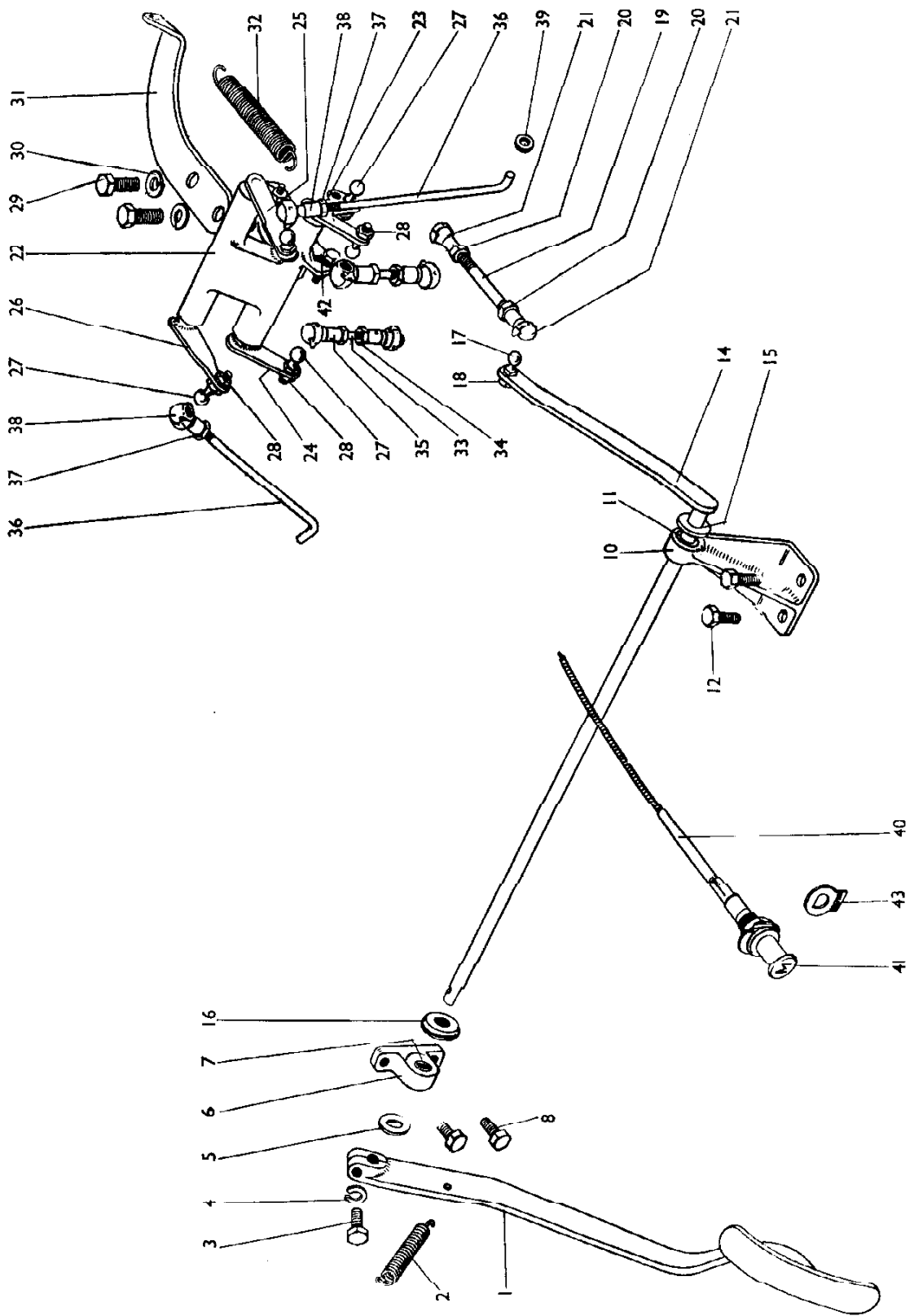


PLATE 7

ACCELERATOR CONTROLS

(AUTOMATIC TRANSMISSION)

Part No.	Description	Plate No.	No. per Unit	Remarks
308809	ACCELERATOR PEDAL ASSEMBLY	8-1	1	R.H. DRIVE CARS ONLY
308807	ACCELERATOR PEDAL ASSEMBLY		1	L.H. DRIVE CARS ONLY
431507	Return Spring, for Pedal Assembly	8-2	1	
UFS.125/6R	Screw, Set, clamping Pedal Assembly to Cross Shaft		1	
FG.104/X	Washer, Spring, on Setscrews		1	
FG.104/T	Washer, Plain, between Pedal and Bracket		1	
432932	STOP, FOR ACCELERATOR PEDAL	8-3	1	R.H. DRIVE CARS ONLY
UFS.125/5R	Screw, Set, securing Pedal Stop		2	
UFN.125/L	Nut, on Setscrews		2	
FW.104/T	Washer, Plain, on Setscrews		2	
FG.104/X	Washer, Spring, under Nuts		2	
432933	STOP, FOR ACCELERATOR PEDAL		1	L.H. DRIVE CARS ONLY
90018/04	Bolt, securing Pedal Stop		2	
432489	BRACKET (OUTER) FOR ACCELERATOR CROSS SHAFT	8-4	1	
90018/06	Bolt, securing Bracket to Dash		2	
432532	BRACKET (INNER) FOR ACCELERATOR CROSS SHAFT	8-5	1	
90018/06	Bolt, securing Bracket to Dash		2	
432931	STIFFENER ASSEMBLY FOR CROSS SHAFT INNER BRACKET	8-6	1	
UFS.125/5R	Screw, Set, securing Stiffener		2	
FG.104/X	Washer, Spring, on Setscrews		2	
432469	CROSS SHAFT ASSEMBLY FOR ACCELERATOR PEDAL	8-7	1	R.H. DRIVE CARS ONLY
432474	CROSS SHAFT ASSEMBLY FOR ACCELERATOR PEDAL		1	L.H. DRIVE CARS ONLY
FW.107/T	Washer, Plain, between Lever on Cross Shaft and Inner Bracket		1	
432928	Spring, for Accelerator Cross Shaft	8-8	1	
432534	Grommet, in Dash, for Cross Shaft	8-9	1	
424813	Ball Pin, on Lever on Cross Shaft	8-10	1	
UFN.119/L	Nut, securing Ball Pin		1	
AG.102/X	Washer, Spring, under Nut		1	

ACCELERATOR CONTROLS

(AUTOMATIC TRANSMISSION)

Part No.	Description	Plate No.	No. per Unit	Remarks
43141A	THROTTLE CONTROL ROD, FROM CROSS SHAFT LEVER TO CONTROL BRACKET	8-11	1	
UFN.125/L 420936/3	Nut, on Control Rod, securing Ball Socket Ball Socket, on Control Rod	8-12	2 2	
308726	THROTTLE AND MIXTURE CONTROL BRACKET ASSEMBLY	8-13	1	
431795	Spring, Throttle Relay		1	
424813 UFN.119/L AG.102/X	Ball Pin, on Throttle and Mixture Levers Nut, securing Ball Pins Washer, Spring, under Nuts	8-14	5 5 5	
UCS.131/8R FG.105/X 431417	Screw, Set, securing Control Bracket to Induction Manifold Washer, Spring, on Setscrews Anchorage, for Throttle Return Spring		2 2 1	
428770	THROTTLE RETURN SPRING	8-16	1	
431097	THROTTLE CONTROL ROD FROM CONTROL BRACKET TO CARBURETTERS	8-17	2	
UFN.119/L 424822/3	Nut, on Control Rods, securing Ball Sockets Ball Socket, on Control Rods	8-18	4 4	
431862	MIXTURE CONTROL ROD, FROM CONTROL BRACKET TO CARBURETTER	8-19	2	
UFN.119/L 424822/3 427461 L.102/5U	Nut, on Control Rods, securing Ball Sockets Ball Socket, on Control Rods Washer, Plain, behind Split Pins Split Pin, securing Control Rods to Levers on Carburetters	8-20	2 2 2 2	
422542/15	KICK-DOWN CONTROL ROD, FROM THROTTLE AND MIXTURE CONTROL BRACKET TO LEVER ON TAPPET BLOCK	8-21	1	
420963/3 UFN.125/L	Ball Socket, on Control Rod Nut, securing Ball Sockets	8-22	2 2	
424813/2 UFN.119/L AG.102/X	Ball Pin, on Control Bracket and Kick-down Levers Nut, securing Ball Pins to Levers Washer, Spring, under Nuts	8-23	2 2 2	

ACCELERATOR CONTROLS

(AUTOMATIC TRANSMISSION)

Part No.	Description	Place No.	No. per Unit	Remarks
432256	KICK-DOWN LEVER ASSEMBLY, ON REAR OF TAPPET BLOCK	8-24	1	
432264	Fulcrum Pin , securing Kick-down Lever to Support Bracket	8-25	1	
C.8667/1	Nut , Nylor, securing Lever to Fulcrum Pin		1	
FW.104/T	Washer , Plain, under Nut		1	
308706	SUPPORT BRACKET FOR KICK-DOWN LEVER	8-26	1	
UCS.131/5R	Screw , Set, securing Bracket to Tappet Block		1	
FG.105/X	Washer , Spring, on Setscrew		1	
422542/20	CONTROL ROD, FROM LEVER ON TAPPET BLOCK TO LEVER ON BELL-HOUSING	8-27	1	
420963/3	Ball Socket , on Control Rod	8-28	2	
UFN.125/L	Nut , securing Ball Sockets to Rod		2	
424813/2	Ball Pin , on Levers	8-29	2	
LIFN.119/1	Nut , securing Ball Pins		2	
AG.102/X	Washer , Spring, under Nuts		2	
432252	KICK-DOWN LEVER ASSEMBLY, ON BELL HOUSING	8-30	1	
432253	Collar , on Spindle of Kick-down Lever Assembly	8-31	1	
432523/09	Mille Pin , securing Collar to Spindle		1	
422542/45	CONTROL ROD, FROM LEVER ON BELL HOUSING TO SELECTOR LEVER ON TRANSMISSION UNIT	8-32	1	
420963/3	Ball Socket , on Control Rod	8-33	2	
UFN.125/L	Nut , securing Ball Sockets to Rod		2	
424813/2	Ball Pin , on Levers	8-34	2	
UFN.119/L	Nut , securing Ball Pins to Levers		2	
AG.102/X	Washer , Spring, under Nuts		2	
307759/13	MIXTURE CONTROL CABLE ASSEMBLY	8-35	1	
431607	Knob , on Cable		1	
432279	Grommet , in Dash for Control Cable	8-36	1	
405315	Clip , securing Control Cable		1	
426933/35	Screw , securing Clip		1	
426935/4	Nut , on Screw		1	
AG.102/X	Washer , Spring, under Nut		1	
431529	Designation Plate , "MIXTURE"	8-37	1	

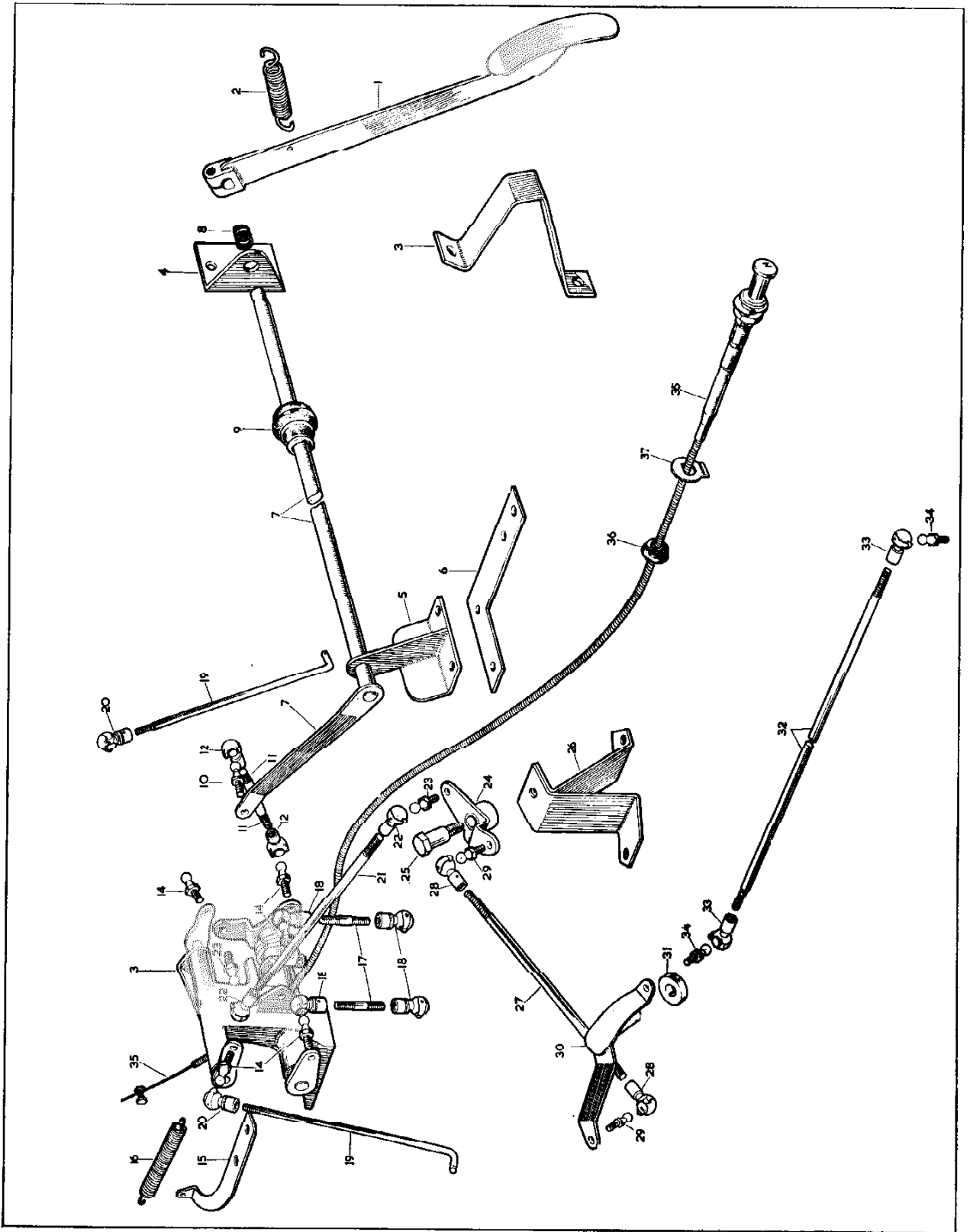


PLATE 8

CLUTCH UNIT AND CONTROLS

STANDARD TRANSMISSION ONLY

Part No.	Description	Plate No.	No. per Unit	Remarks
431333	CLUTCH PEDAL ASSEMBLY	9-1	1	R.H. DRIVE CARS ONLY
1012/11	Bush, in Pedal	9-2	2	
431398	CLUTCH PEDAL ASSEMBLY		1	L.H. DRIVE CARS ONLY
1012/11	Bush, in Pedal	9-2	2	
427000	Rubber Pad, on Clutch Pedal	9-3	1	
413046	Return Spring, for Clutch Pedal	9-4	1	
UFS.125/6R	Screw, Set, for adjustment of Clutch Pedal		1	
UFN 225/1	Locknut, on Setscrew		1	
136118	BRACKET MOUNTING CLUTCH AND BRAKE PEDALS		1	
90018/06	Screw, Set, securing Bracket to Dash		2	
UFS.125/6R	Screw, Set, securing Bracket to Dash		4	
51/637052	Washer, Plain, on Setscrews		4	
C.8667/2	Nut, Nyloc, on Setscrews		4	
430635	FULCRUM SHAFT FOR CLUTCH AND BRAKE PEDALS		1	
L.104/6U	Split Pin, retaining Shaft in Pedal Mounting Bracket		2	
FW.110/T	Washer, Plain, behind Split Pin		2	
430637	Spacer, between Clutch and Brake Pedals		1	
308048	CLUTCH MASTER CYLINDER ASSEMBLY (64067612)	9-5	1	
308048/01	Filler Cap, on Reservoir (378434)	9-6	1	
305167/03	Gasket, for Filler Cap (362920)	9-7	1	
308048/04	Spring, on Valve (64673425)	9-8	1	
308048/02	Push Rod (350527W)	9-9	1	
306086/03	Retaining Washer (378230)	9-10	1	
308260/07	CLUTCH MASTER CYLINDER REPAIR KIT (SP.2095)	9-11	1	
	Comprising:—			
	Valve Seal			
	Plunger Seal			
	Dust Cover			
	Circlip			
	Valve Spring Washer			
	Filler Cap Gasket			
	Tube of Grease			
307973	Distance Piece, between Clutch and Brake Master Cylinders and Dash		1	
UFB.131/24R	Bolt, securing Clutch Master Cylinder to Dash	9-12	2	
C.8667/2	Nut, on Bolts	9-13	2	

CLUTCH UNIT AND CONTROLS

STANDARD TRANSMISSION ONLY

Part No.	Description	Plate No.	No. per Unit	Remarks
430934	JAW, CONNECTING CLUTCH MASTER CYLINDER TO CLUTCH PEDAL	9-14	1	
UFN.231/L 422531/16 L.103/5U FW.105/T	Locknut , securing Jaw to Master Cylinder Clevis Pin , securing Jaw to Pedal Split Pin , retaining Clevis Pin Washer , Plain, behind Split Pin	9-15 9-16 9-17	1 1 1	
136172	PIPE ASSEMBLY, FROM MASTER CYLINDER TO HOSE		1	R.H. DRIVE CARS ONLY
136173	PIPE ASSEMBLY, FROM MASTER CYLINDER TO HOSE	9-18	1	L.H. DRIVE CARS ONLY
305172	FLEXIBLE HOSE FROM PIPE ASSEMBLY TO SLAVE CYLINDER (3700619W)	9-19	1	
426751 425163 431441	Nut , securing Hose to Chassis (10233) Washer , Shakeproof under Nut (74330) Gasket , on Hose (378711)	9-20 9-21 9-22	1 1 1	
308049	CLUTCH SLAVE CYLINDER ASSEMBLY (3010320W)	9-23	1	
308049/01 135347/11 134617/05	Spring , behind Piston (378802) Bleeder Screw (377686VV) Dust Cap , on Bleeder Screw (363400)	9-24 9-25 9-26	1 1 1	
308049/02	SLAVE CYLINDER REPAIR KIT	9-27	1	
	Comprising:— Seal Dust Cover Bleeder Screw Dust Cap Tube of Grease			
307414	BRACKET, SUPPORTING SLAVE CYLINDER		1	
UCS.131/6R FG.105/X	Screw , Set, securing Bracket to Gearbox Washer , Spring, on Setscrews		1 1	
UFS.131/7R UFN.131/L FG.105/X	Screw , Set, securing Slave Cylinder to Bracket Nut , on Setscrews Washer , Spring, under Nuts		2 2 2	
431319	PUSH ROD FOR SLAVE CYLINDER	9-28	1	
431318 UFN.231/L J.105/13S L.103/5U FW.105/T	Jaw , connecting Push Rod to Cross Shaft Lever Locknut , securing Jaw to Push Rod Clevis Pin , securing Jaw to Cross Shaft Lever Split Pin , retaining Clevis Pin Washer , Plain, behind Split Pin	9-29 9-30 9-31 9-32	1 1 1 1	

CLUTCH UNIT AND CONTROLS

STANDARD TRANSMISSION ONLY

Part No.	Description	Plate No.	No. per Unit	Remarks
307977	CLUTCH CROSS SHAFT ASSEMBLY	9-33	1	
430470	Return Spring, on Cross Shaft	9-34	1	
UCS.131/18R	Screw, Set, locating Cross Shaft	9-35	1	
FG.105/X	Washer, Spring on Setscrew	9-36	1	
431950	Grease Nipple, on Cross Shaft	9-37	1	
307976	CLUTCH OPERATING FORK	9-38	1	
430459	Screw, locating Operating Fork on Cross Shaft	9-39	1	
136139/01	CLUTCH COVER ASSEMBLY (45692/84)		1	
2556	Cover only (45481)	9-40	1	
2582	Spring, Antirattle (47688)	9-41	3	
136139/04	Pressure Plate (48572)	9-42	1	
7834	Thrust Spring (White) (40123)	9-43	9	
2529	Release Lever (42662)	9-45	3	
2472	Plate, for Release Lever (40968)	9-46	1	
2395	Retainer, for Release Lever (40015)	9-47	3	
2527	Strut, for Release Lever (42606)	9-48	3	
2523	Pin, for Release Lever (42604)	9-49	3	
2588	Eye Bolt, for Release Lever (48243)	9-50	3	
5086	Nut, on Eyebolt (48132)	9-51	3	
136139/14	CLUTCH DRIVEN PLATE ASSEMBLY (47626/110)	9-52	1	
2590	CLUTCH RELEASE BEARING ASSEMBLY (46890)	9-53	1	
4163	Retainer, for Release Bearing (41628)	9-54	1	
UFS.131/6R	Screw, Set, securing Clutch to Flywheel		6	
FG.105/X	Washer, Spring, on Setscrews		6	

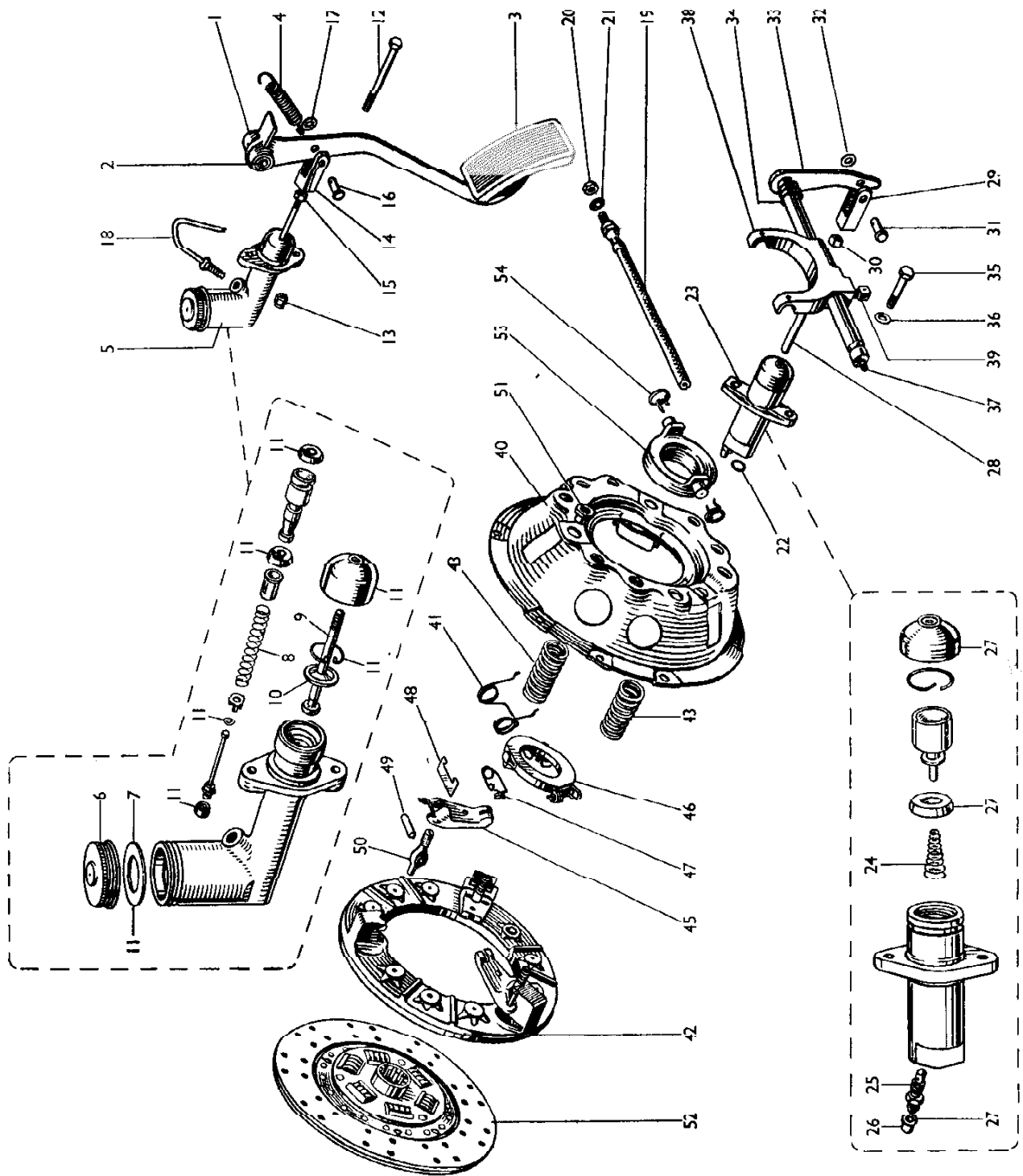


PLATE 9

GEARBOX (SYNCHROMESH)

STANDARD TRANSMISSION ONLY

Part No.	Description	Plate No.	No. per Unit	Remarks
DL.36833	GEARBOX ASSEMBLY COMPLETE		1	
136101	GEARBOX AND CLUTCH CASING ASSEMBLY	10-1	1	
430463	L.H. Bush , for Clutch Cross Shaft	10-2	1	
1214/16	R.H. Bush , for Clutch Cross Shaft	10-3	1	
266365	Welch Washer , in reverse gear operating rod access hole	10-4	1	
420304	Dowel , locating Flywheel Housing	10-5	1	
34005/12	Stud , for Front End Cover	10-6	4	
34005/14	Stud , for Rear Casing	10-7	7	
430510	Drain Plug , in Casing	10-8	1	
307978	FRONT END COVER	10-9	1	
430514	Gasket , between Front End Cover and Casing	10-10	1	
UFN.131/L	Nut , securing Front End Cover to Casing	10-11	4	
FG.105/X	Washer , Spring, under Nuts	10-12	4	
423200/02	Oil Seal , for Primary Shaft	10-13	1	
430495	End Cover , for Countershaft	10-14	1	
430496	Gasket , between End Cover and Casing	10-15	1	
UCS.131/5R	Screw , Set, securing End Cover	10-16	2	
FG.105/X	Washer , Spring, on Setscrews	10-17	2	
307414	BRACKET, MOUNTING SLAVE CYLINDER	10-18	1	
UCS.131/6R	Screw , Set, securing Bracket to Gearbox		4	
FG.105/X	Washer , Spring, on Setscrews		4	
135915	REAR CASING FOR GEARBOX	10-19	1	
307440	Gasket , between Rear Casing and Gearbox Casing	10-20	1	
UFN.131/L	Nut , securing Rear Casing	10-21	7	
FG.105/X	Washer , Spring, under Nuts	10-22	7	
405011	Thrust Piece , for Speedometer Pinion		1	
431696	Oil Seal , for Mainshaft	10-23	1	
136112	TOP COVER FOR GEARBOX	10-24	1	
307426	Gasket , between Top Cover and Casing	10-25	1	
UFS.131/8R	Screw , Set, securing Top Cover	10-26	4	
UCB.131/22R	Bolt , securing Top Cover	10-27	2	
UCB.131/24R	Bolt , securing Top Cover	10-28	2	
FG.105/X	Washer , Spring, on Setscrews and Bolts	10-29	8	
266365	Welch Washer , in Top Cover	10-30	5	
422503/06	Plug , in Top Cover for Interlock access		1	
425280/07	Sealing Ring , for Selector Rod	10-31	1	
430476	Sealing Ring , for End Cover	10-32	1	
UCS.125/4R	Screw , Set, securing Top Cover to End Cover	10-33	2	
FG.104/X	Washer , Spring, on Setscrews	10-34	2	

GEARBOX (SYNCHROMESH)

STANDARD TRANSMISSION ONLY

Part No.	Description	Plate No.	No. per Unit	Remarks
307897	SELECTOR ROD, 1st/2nd GEARS	10-35	1	
307416	Selector, on 1st/2nd Gear Selector Rod	10-36	1	
430475	Screw, Taper, securing Selector to Rod	10-37	1	
307900	SELECTOR ROD ASSEMBLY, 3rd/4th GEARS	10-38	1	
307898	SELECTOR ROD, REVERSE GEAR	10-39	1	
307417	Selector, on Reverse Selector Rod	10-40	1	
430475	Screw, Taper, securing Selector to Rod	10-41	1	
425292/11	Ball ($\frac{3}{8}$ ") for Selector Rod Interlock	10-42	2	
430479	Plug, for Selector Rod Interlock	10-43	1	
425292/11	Ball, for forward Selector Rod Indent	10-44	2	
432598	Spring, for Indent Balls	10-45	2	
430505	Thimble, for Reverse Selector Rod	10-46	1	
430508	Spring, for Thimble	10-47	1	
430506	Screw, retaining Spring	10-48	3	
430474	Stop Screw, for Selector Rods	10-49	3	
307433	SELECTOR FORK, 1st/2nd GEARS	10-50	1	
307434	SELECTOR FORK, 3rd/4th GEARS	10-51	1	
307435	SELECTOR FORK, REVERSE GEAR	10-52	1	
430475	Screw, Taper, securing Selector Forks	10-53	3	
307427	GEARBOX CHANGE SPEED LEVER	10-54	1	
432043	Knob, on Gear Lever	10-55	1	
433148	Nut, securing Knob to Lever	10-56	1	
430486	Spring, under Gear Lever Cover Plate	10-59	1	
430478	Retaining Plate, for Spring	10-60	1	
307432	Cover Plate, for Gear Lever	10-61	1	
UCS.125/3R	Screw, Set, securing Cover Plate to Top Cover	10-62	1	
FG.104/X	Washer, Spring on Setscrew	10-63	1	
UFB.125/26R	Bolt, retaining Gear Lever in Top Cover	10-64	1	
C.8667/1	Nut, Nyloc, on Bolt	10-65	1	
307428	DIPSTICK ASSEMBLY FOR GEARBOX	10-66	1	
309346	PRIMARY SHAFT	11-67	1	
430503	Bearing Shield, for Primary Shaft	11-68	1	

GEARBOX (SYNCHROMESH)

STANDARD TRANSMISSION ONLY

Part No.	Description	Plate No.	No. per Unit	Remarks
431693	BEARING FOR PRIMARY SHAFT (MS.12/KR.V3)	11-69	1	
431694	Snap Ring, on Bearing	11-70	1	
430487	Washer, behind Bearing	11-71	1	
422515/14	Circlip, retaining Bearing	11-72	1	
431249	BEARING, PILOT, FOR MAINSHAFT (B.1412)	11-73	1	
C.22299	MAINSHAFT	11-74	1	
430497	Washer, at front of Mainshaft Bearing	11-75	1	
431693	BEARING, FRONT, FOR MAINSHAFT (MS.12/KR.V3)	11-76	1	
431694	Snap Ring, on Bearing	11-77	1	
430487	Washer, at rear of Mainshaft Bearing	11-78	1	
422515/14	Circlip, retaining Bearing	11-79	1	
430509	Washer, locating Mainshaft Rear Bearing	11-80	1	
42315/06	BEARING, REAR, FOR MAINSHAFT (LS.11)	11-81	1	
299732	FLANGE, COUPLING MAINSHAFT TO PROPELLER SHAFT UNIVERSAL JOINT	11-82	1	
426572	Washer, under Flange Nut	11-83	1	
UFN.362/L	Nut, Slotted, securing Flange to Mainshaft	11-84	1	
L.104/8U	Split Pin, retaining Nut		1	
308143	SYNCHRONISING SLEEVE, 3rd/4th GEARS	11-85	1	
425292/07	Ball, for 3rd/4th synchronising	11-86	3	
430504	Spring, tensioning Ball	11-87	3	
430499	Shim, for Spring	11-88	As req'd	
308144	Outer Synchronising Sleeve	11-89	1	
309186	Synchronising Cup, for 3rd/4th Gears	11-90	2	
309185	3rd SPEED GEAR ON MAINSHAFT	11-91	1	
307431	Bush, in 3rd Speed Gear	11-92	1	
430500	Washer, locating 3rd Speed Gear	11-93	1	
431435	Spring Ring, retaining Gear on Mainshaft	11-94	1	

GEARBOX (SYNCHROMESH)

STANDARD TRANSMISSION ONLY

Part No.	Description	Plate No.	No. per Unit	Remarks
309184	2nd SPEED GEAR, ON MAINSHAFT	11-95	1	
307429	Bush, in 2nd Speed Gear	11-96	1	
C.22298	Washer, locating 2nd Speed Gear	11-97	1	
309186	Synchronising Cup, for 2nd Speed Gear	11-98	1	
308139	1st SPEED GEAR SLEEVE	11-99	1	
430498	Plunger, for 1st Gear Interlock	11-100	1	
425292/07	Ball, for 1st Gear Interlock	11-101	1	
425292/07	Ball, for 2nd Gear Synchro	11-102	3	
430504	Spring, for 2nd Gear Synchro Ball	11-103	3	
430499	Shim, for 2nd Gear Synchro Ball Spring	11-104	As req'd	
308140	1st SPEED GEAR, ON MAINSHAFT	11-105	1	
308145	COUNTERSHAFT	11-106	1	
430472	Retainer, for Needle Roller on Countershaft	11-107	4	
431695	Needle Roller, on Countershaft	11-108	48	
430488	Thrust Washer, (.062" thick) at front of Countershaft	11-109	1	} ALTERNATIVES
430489	Thrust Washer, (.067" thick) at front of Countershaft	11-109	1	
430490	Thrust Washer, (.072" thick) at front of Countershaft	11-109	1	
430491	Thrust Washer, (.077" thick) at front of Countershaft	11-109	1	
430492	Thrust Washer, (.082" thick) at front of Countershaft	11-109	1	
430493	Thrust Washer, at rear of Countershaft	11-110	1	
308149	CONSTANT MESH GEAR, ON COUNTERSHAFT	11-111	1	
430464	Distance Washer, between 3rd and Constant Mesh Gears	11-112	1	
308148	3rd SPEED GEAR, ON COUNTERSHAFT	11-113	1	
308147	2nd SPEED GEAR, ON COUNTERSHAFT	11-114	1	
308146	1st SPEED GEAR, ON COUNTERSHAFT	11-115	1	
307422	REVERSE GEAR SPINDLE	11-116	1	
430494	Screw, locating Reverse Spindle and Countershaft	11-117	1	
FG.105/X	Washer, Spring, on Screw	11-118	1	
432135	REVERSE GEAR ASSEMBLY	11-119	1	
432592	Bush, in Reverse Gear	11-120	2	

GEARBOX (SYNCHROMESH)

STANDARD TRANSMISSION ONLY

Part No.	Description	Plate No.	No. per Unit	Remarks
307497	REVERSE GEAR FORK	11-121	1	
307437	Shaft , for Reverse Gear Fork	11-122	1	
430511	Bush , in Fork, for Shaft	11-123	1	
430512	Screw , in Shaft	11-124	1	
430513	Locknut , on Screw	11-125	1	
308018	SPEEDOMETER DRIVE PINION (14 TEETH)	11-126	1	
431412	Thrust Washer , for Speedometer Pinion	11-127	1	
431411	SPEEDOMETER PINION HOUSING ASSEMBLY		1	
431409	Housing , complete with Bush	11-128	1	
431697	Oil Seal , between Housing and Adaptor (025-062)	11-129	1	
431410	Adaptor , for Pinion Housing	11-130	1	
422524/01	Millis Pin , securing Adaptor		1	
431698	'O' Ring , in Pinion Housing	11-131	1	
430519	Pin , locating Pinion Housing	11-132	1	
FG.105/X	Washer , Spring, on Pin	11-133	1	
UCB.131/11R	Bolt , securing Gearbox Assembly to Cylinder Block		7	
UFB.131/10R	Bolt , securing Gearbox to Support Plate		4	
UFN.131/L	Nut , on Bolts		4	
FG.105/X	Washer , Spring, on Bolts and under Nuts		11	
136200	BRACKET, SUPPORTING GEARBOX		1	
307497	RUBBER MOUNTING, FOR GEARBOX		2	
C.8667/2	Nut , securing Rubber Mounting to Support Bracket		2	
UCS.131/5R	Screw , Set, securing Rubber Mounting to Gearbox Mounting Bracket		4	
C.8667/2	Nut , on Setscrews		4	

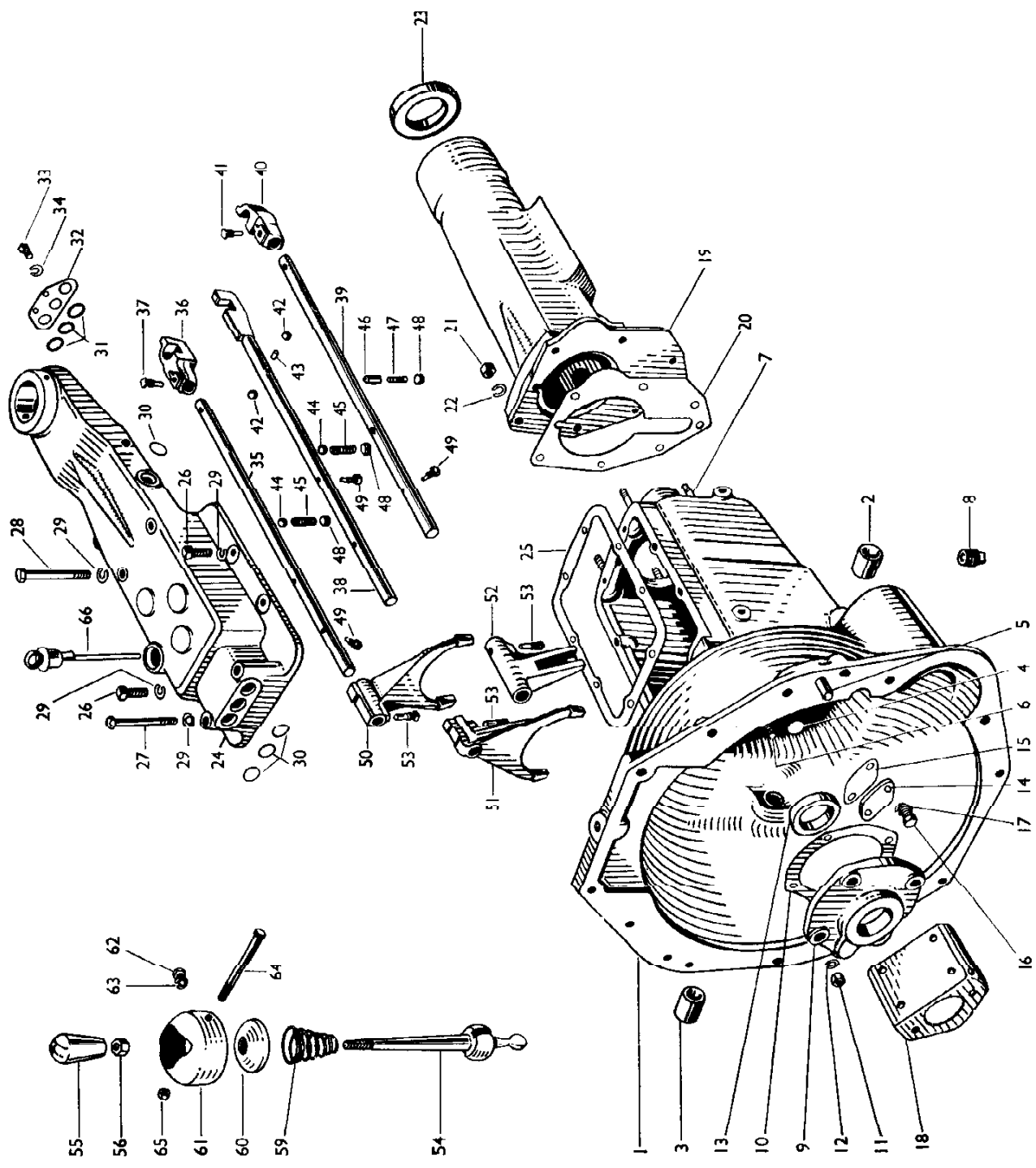


PLATE 10

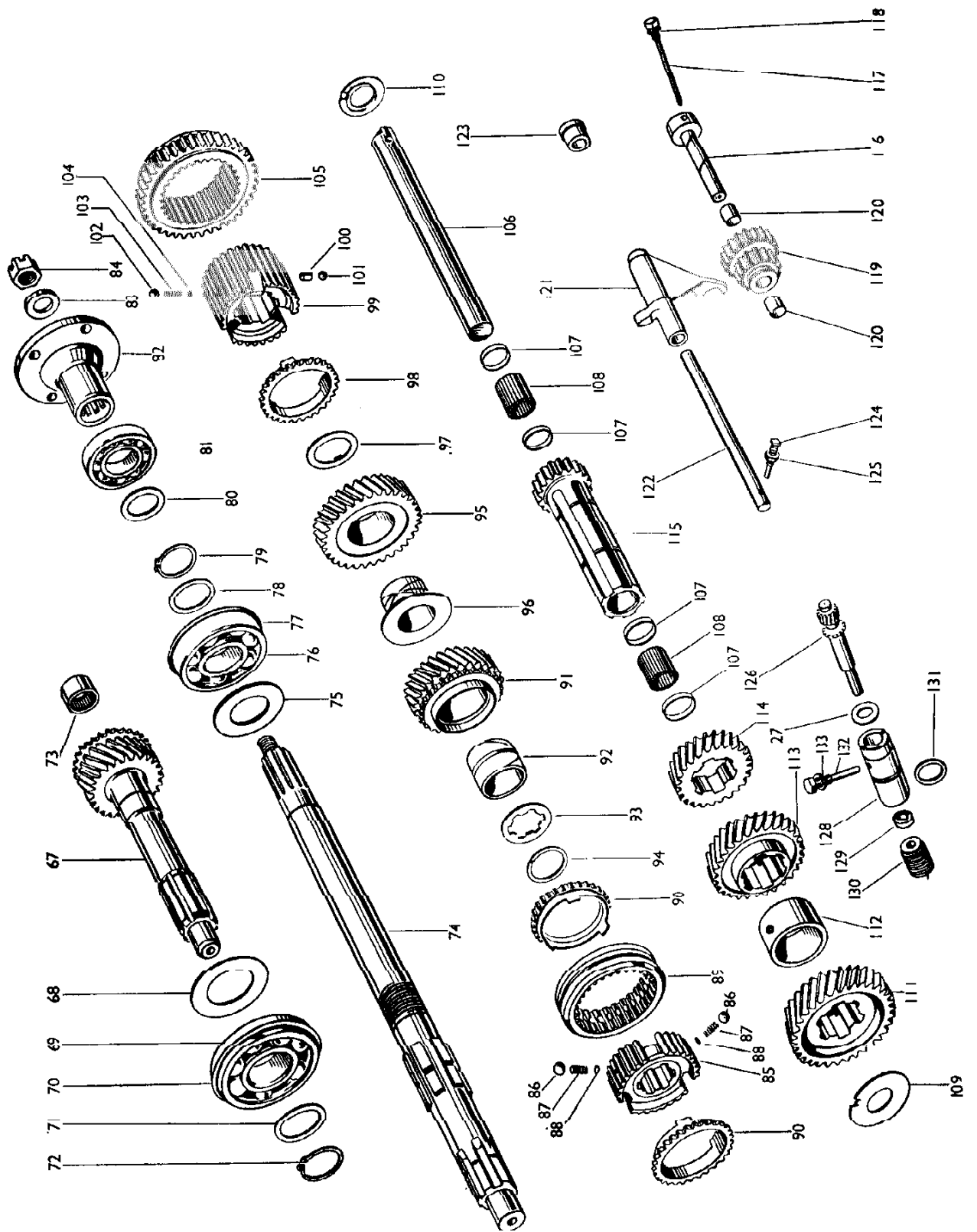


PLATE II

AUTOMATIC TRANSMISSION UNIT

Part No.	Description	Plate No.	No. per Unit	Remarks
C.21771	AUTOMATIC TRANSMISSION ASSEMBLY (MODEL DG) (J.20-0294) LESS CONVERTER		1	
C.21772	CONVERTER ASSEMBLY (FC.15304)		1	
8333	Drain Plug , for Converter (T.90012)		1	
8334	Sealing Washer , on Plug (T.90014)		1	
3701	TRANSMISSION CASE ASSEMBLY (20-504-A)	12-1	1	
3702	Stud , for Transmission Case (J20-506)		2	
7361	Oil Seal , for Selector Control Shaft (J.20-536/A)		1	
6761	Plug (Allen Head), under Transmission Case, for Pressure Take-off (JGM.444571)		2	
3740	DIPSTICK ASSEMBLY (J.20-591)	12-2	1	
10084	SELECTOR CONTROL SHAFT ASSEMBLY (J.20-53213)	12-3	1	
6679	Selector Lever , inside Transmission Case (J.20-537/A)	12-4	1	
5455	Washer , $\frac{3}{8}$ " Special, on Selector Shaft (J.20-538/B)	12-5	1	
6755	Washer , $\frac{7}{8}$ " Plain, on Selector Shaft (JGM.103340)		1	
5908	Washer , $\frac{5}{8}$ " lock, on Selector Shaft (JGM.103320)		1	
7002	Nut , $\frac{5}{8}$ " securing Selector Lever to Control Shaft (JGM.103025)		1	
3750	TOGGLE ARM LEVER (J.20-630)	12-6	1	
3751	Ring , retaining Toggle Arm Lever in Transmission Case (J.20-633)	12-7	1	
3755	ROD ASSEMBLY, ACTUATING PARKING BRAKE, FROM SELECTOR CONTROL SHAFT TO TOGGLE ARM LEVER (J.20-6441)	12-8	1	
6772	Swivel , at bottom of Rod (J.20-645)	12-9	1	
6753	Nut (J.20-219701)	12-10	1	
3749	INNER SERVO PISTON ASSEMBLY, $3\frac{1}{4}$" DIAMETER (J.20-622)	12-11	3	
5463	OUTER SERVO PISTON ASSEMBLY, $3\frac{1}{4}$" DIAMETER (J.20-605/A)	12-12	2	
3703	Seal , for Inner and Outer Servo Pistons (J.20-512)	12-13	5	

AUTOMATIC TRANSMISSION UNIT

Part No.	Description	Place No.	No. per Unit	Remarks
5449	PLATE ASSEMBLY FOR REVERSE SERVO CYLINDER (J.20-519/B)	12—14	1	
3625	'O' Ring, $\frac{1}{2}$ " \times $\frac{11}{16}$ " \times $\frac{3}{16}$ " on Reverse Cylinder Plate (J.20-120)	12—15	1	
5450	Gasket, for Front of Plate (J.20-523/A)	12—16	1	
5447	Gasket, for Rear of Plate (J.20-518/A)	12—17	1	
6828	REVERSE SERVO CYLINDER (J.20-517/D)	12—18	1	
8317	Bolt, $\frac{3}{16}$ " \times 1", securing Servo Cylinder to Case (JGM.179818)		1	
8434	Bolt, $\frac{5}{16}$ " \times 2 $\frac{3}{4}$ ", securing Servo Cylinder to Case (JGM.179829)		3	
8433	Bolt, $\frac{5}{16}$ " \times 2", securing Servo Cylinder to Case (JGM.179826)		2	
5908	Washer, $\frac{5}{16}$ " Spring, on Bolts (JGM.103320)		6	
5702	Plug, for Pressure Testing on Reverse Gear (J.20-1103)	12—19	1	
3742	Washer (Copper) on Plug (J.20-594)	12—20	1	
6761	Plug, for Testing Pressure in Converter (JGM.444571)	12—21	1	
7362	SERVO CYLINDER FOR LOW AND FORWARD SPEEDS (J.20-525/C)	12—22	1	
8317	Bolt, $\frac{3}{16}$ " \times 1", securing Servo Cylinder to Transmission Case (JGM.179818)		4	
8433	Bolt, $\frac{5}{16}$ " \times 2", securing Servo Cylinder to Transmission Case (JGM.179826)		5	
5908	Washer, Spring, on Bolts (JGM.103320)		9	
5702	Plug, in Servo Cylinder, for testing pressures on Low and Forward Bands (J.20-1103)	12—23	2	
3742	Washer, Copper, on Plugs (J.20-594)	12—24	2	
5444	PISTON ASSEMBLY FOR LOW LOCK-UP BAND (J.20-513/A)	12—25	1	
3706	Seal, for Piston (J.20-516)	12—26	1	
7363	PLATE ASSEMBLY FOR LOW BAND SERVO CYLINDER (J.20-527I)	12—27	1	
3625	'O' Ring, $\frac{1}{2}$ " \times $\frac{11}{16}$ " \times $\frac{3}{16}$ " between Plate and Piston (J.20-120)	12—28	2	
5452	Gasket, between Plate and Servo Cylinder (J.20-526/A)	12—29	1	
6684	Gasket, between Plate and Transmission Case (J.20-529I)	12—30	1	
3738	BRAKE BAND ASSEMBLY FOR LOW AND FORWARD GEARS (J.20-581/A) (COMPLETE WITH LININGS)	12—31	2	

AUTOMATIC TRANSMISSION UNIT

Part No.	Description	Plate No.	No. per Unit	Remarks
6869	BRAKE BAND ASSEMBLY FOR REVERSE GEAR (J.20-588/A) (COMPLETE WITH LININGS)	12-32	1	
3705	Strut, for Operation of Brake Bands (J.20-514)	12-33	3	
7528	Screw, for adjusting Low Band (J.20-5242)	12-34	1	
5453	Screw, for adjusting Forward and Reverse Band (J.20-531/A)	12-35	2	
5910	Nut, locking Adjusting Screws (JGM.122295)	12-36	3	
5406	FRONT PUMP AND COLLECTOR RING ASSEMBLY (J.20-105/A)	13-1	1	
3622	Collector Ring Assembly (J.20-108/B)		1	
3627	Front Pump Assembly (J.20-149)		1	
3624	'O' Ring, between Collector Ring and Pump Body (5 1/4" x 5 3/8" x 1/8") (J.20-119)	13-2	1	
3625	'O' Ring, on Centre of Collector Ring (1/2" x 1 1/4" x 3/32") (J.20-120)	13-3	1	
3622	COLLECTOR RING ASSEMBLY (J.20-108/B)	13-4	1	
3626	Gasket, behind Collector Ring (J.20-121)	13-5	1	
3627	FRONT PUMP BODY ASSEMBLY COMPLETE WITH GEARS (J.20-149)	13-6	1	
3623	Oil Seal, at Front End of Pump (J.20-116)		1	
3810	Bolt, 1/4" x 1 3/4", securing Front Pump to Collector Ring (J.20-1102)		1	
8426	Washer, 1/4" Spring, on Bolt (JGM.103319)		1	
8430	Bolt, 5/16" x 7/8" securing Front Pump to Collector Ring (JGM.179817)		2	
8432	Bolt, 5/16" x 1 1/2" securing Front Pump to Collector Ring (JGM.179822)		2	
3677	Thrust Washer, Controlling End Float on Front Pump and Main Shaft (J.20-388)	13-7	1	} CHOOSE THRUST WASHER OF DESIRED THICKNESS TO MAINTAIN CORRECT END FLOAT
3678	Thrust Washer, Controlling End Float on Front Pump and Mainshaft (J.20-388/A)	13-7	1	
3679	Thrust Washer, Controlling End Float on Front Pump and Mainshaft (J.20-388/B)	13-7	1	
3680	Thrust Washer, Controlling End Float on Front Pump and Mainshaft (J.20-388/C)	13-7	1	
8429	Bolt, 5/16" x 3/4" securing Collector Ring to Transmission Case (JGM.179816)		4	
8431	Bolt, 5/16" x 1 1/4" securing Collector Ring to Transmission Case (JGM.179820)		3	
5908	Washer, 5/16" Spring, on Bolt (JGM.103320)		7	
7881	MAINSHAFT ASSEMBLY COMPLETE WITH GEAR TRAIN (J.20-3019)		1	
C.6919	Tube, in end of Mainshaft, for Oil Transfer (J.20-392)	13-8	1	

AUTOMATIC TRANSMISSION UNIT

Part No.	Description	Plate No.	No. per Unit	Remarks
3631	MAINSHAFT ASSEMBLY LESS GEAR TRAIN (J.20-305)	13—9	1	
3695	Piston Ring, 1" × $\frac{7}{8}$", on Mainshaft, for Front Planetary Carrier (J.20-413)	13—10	3	
5705	REAR PLANETARY CARRIER ASSEMBLY (J.20-3152)	13—11	1	
3699	Washer, for Rear Planetary Carrier (J.20-423)	13—12	1	
3637	Thrust Washer, for Sun Gear (J.20-321)	13—13	1	
3640	Thrust Washer, between Ring Gear and Planetary Carrier (J.20-325)	13—14	1	
3638	Retainer, securing Planetary Gears to Mainshaft (J.20-322)	13—15	1	
3691	Piston Ring, $1\frac{1}{8}$" × $\frac{7}{8}$", in Groove on Retainer (J.20-406)	13—16	1	
3639	Snap Ring, securing Retainer (J.20-323)	13—17	1	
5706	REAR RING GEAR ASSEMBLY (J.20-3262)	13—18	1	
3689	'O' Ring, $1\frac{1}{8}$" × $1\frac{1}{4}$" × $\frac{1}{8}$", inside Ring Gear (J.20-401)	13—19	1	
3642	Piston Ring, $2\frac{3}{8}$" × $\frac{7}{8}$" at rear of Ring Gear (J.20-329/A)	13—20	1	
3690	'O' Ring, $\frac{5}{8}$" × $1\frac{1}{4}$" × $\frac{1}{16}$", at rear of Ring Gear (J.20-402)	13—21	1	
3656	Snap Ring, on Splines of Rear Ring Gear (J.20-352)	13—22	1	
5710	REAR SUN GEAR ASSEMBLY (J.20-3693)	13—23	1	
3670	Retainer, for Rear Sun Gear (J.20-381)	13—24	1	
3669	Thrust Washer, for Rear Sun Gear (J.20-380)	13—25	1	
5707	FRONT SUN GEAR AND LOCK-UP DRUM ASSEMBLY (J.20-3302)	13—26	1	
3648	Piston Seal, 3" diameter (J.20-342)	13—27	1	
3696	Ring, for First Clutch Piston (J.20-414)	13—28	1	
3700	Piston, complete with Ring, for First Clutch (J.20-424)	13—29	1	
3685	Plate Assembly, for First Clutch Retractor (J.20-396)	13—30	1	
6768	Spacer Plate (J.20-3451)	13—31	1	
6683	Plate, between Friction Discs (J.20-3461)	13—32	4	
6676	Friction Disc, for First Clutch (J.20-3472)	13—33	3	
3653	Retractor Spring, operating Friction Discs (J.20-348)	13—34	12	
7364	Retainer Assembly, for First Clutch Plate (J.20-349/B)	13—35	1	
6764	Snap Ring, securing Clutch Plates to Lock-up Drum (J.20-3501)	13—36	1	
5415	Thrust Washer, for Front Sun Gear (J.20-351/A)	13—37	1	
5708	FRONT PLANETARY CARRIER ASSEMBLY (J.20-3532)		1	
6853	Planetary Carrier only (less Brake Drum) (J.20-3561)	13—38	1	
6619	Reverse Brake Drum (J.20-360/A)	13—39	1	
3692	Snap Ring, retaining Reverse Brake Drum (J.20-409)	13—40	1	
3660	Thrust Washer, for Front Planetary Carrier (J.20-362)	13—41	1	

AUTOMATIC TRANSMISSION UNIT

Part No.	Description	Plate No.	No. per Unit	Remarks
5709	FRONT RING GEAR ASSEMBLY (J.20-3632)	13-42	1	
3691	Piston Ring , 1 $\frac{3}{8}$ " diameter \times $\frac{7}{16}$ " for Front Ring Gear (J.20-406)	13-43	3	
5437	FREE WHEEL UNIT AND LOCK-UP BRAKE DRUM PLATE ASSEMBLY FOR REVERSE GEAR (J.20-395/D)		1	
5438	Free Wheel Unit, Short (J.20-398/D)	13-44	1	
5418	Lock-Up Plate Assembly (J.20-367/D)	13-45	1	
3665	Roller, positioning Brake Drum Plate to Centre Lock-Up Drum (J.20-373)	13-46	2	
3654	Snap Ring, securing Brake Drum Plate in Centre Lock-Up Drum (J.20-350)	13-47	1	
5436	FREE WHEEL UNIT AND FORWARD BRAKE DRUM ASSEMBLY FOR FORWARD GEARS (J.20-3942)		1	
7530	Free Wheel Unit, Medium (J.20-3891)	13-48	1	
5433	Forward Brake Drum (J.20-378/B)	13-49	1	
3667	Snap Ring, internal, securing Free Wheel Unit (J.20-376)	13-50	1	
5711	Spacer, behind Medium Free Wheel Unit (J.20-3751)	13-51	1	
3694	Drive Pin, retaining Spacer (J.20-411)	13-52	1	
3667	Snap Ring, securing Spacer (J.20-376)	13-53	1	
3672	Bearing, on Mainshaft, behind Free Wheel Unit (J.20-383)	13-54	1	
3673	Snap Ring, on Mainshaft Bearing (J.20-384)	13-55	1	
3671	Spacer, behind Mainshaft Bearing (J.20-382)	13-56	1	
3693	Gear, on Mainshaft, for Parking Brake (J.20-410)	13-57	1	
3674	Spacer, between Parking Gear and Bearing (J.20-385)	13-58	1	
3675	Gear, on Mainshaft, for Governor Drive (J.20-386)	13-59	1	
3676	Spacer, behind Governor Drive Gear (J.20-387)	13-60	1	
C.6867	UNIVERSAL JOINT COMPANION FLANGE (J.20-093/A)	13-61	1	
430256	Bolt, securing Flange to Propeller Shaft		4	
5439	Washer, for Flange (J.20-399/A)	13-62	1	
5926	Nut, Self-locking, securing Companion Flange (JGM.272672)	13-63	1	
10088	VALVE BLOCK ASSEMBLY COMPLETE (J.20-54011)		1	
10087	Manifold Plate Assembly (J.20-5413)		1	
9741	Base Plate Assembly (J.20-546/B)	14-1	1	
6565	Gasket, between Base Plate and Manifold Plate (J.20-548/A)	14-2	1	
6870	Relief Valve Body Assembly (J.20-612/A)		1	
6564	Gasket, under Relief Valve Body (J.20-551/A)	14-3	1	

AUTOMATIC TRANSMISSION UNIT

Part No.	Description	Plate No.	No. per Unit	Remarks
VALVE BLOCK ASSEMBLY (Cont.)				
5915	Ball, $\frac{3}{8}$ " dia., for Relief Valve (JGM.147500)	14-4	2	
7368	Body Assembly, for Converter Valve (J.20-5602)		1	
7373	Gasket, for Converter Valve Body (J.20-5732)	14-5	1	
6851	Bolt, $\frac{1}{4}$ " \times $2\frac{3}{8}$ ", for Assembly of Valve Block (J.20-1104)		8	
8424	Washer, $\frac{1}{4}$ " Spring, on Bolts (J.20-5942)		8	
6757	Bolt, $\frac{5}{16}$ " \times $1\frac{1}{8}$ ", securing Valve Block to Transmission Case (JGM.106326)		7	
8423	Washer, $\frac{1}{8}$ " Spring, on Bolts (J.20-5941)		7	
MANIFOLD PLATE ASSEMBLY (J.20-5413)				
10087		14-6	1	
10089	Spring, for Selector Valve Detent (J.20-544/A)	14-7	1	
5914	Ball, $\frac{1}{4}$ " diameter, for Selector Valve (JGM.147485)	14-8	1	
RELIEF VALVE BODY ASSEMBLY (J.20-612/A)				
6870		14-9	1	
6680	Retainer, for Anti-Bump Valve Plug (J.20-570/A)	14-10	1	
6868	Stop, for Main Relief Valve (J.20-567/A)	14-11	1	
6682	Retainer, for Accumulator Spring (J.20-667)	14-12	1	
3732	Retainer, for Reverse Interlock Spring (J.20-520)	14-13	1	
CONVERTER VALVE BODY ASSEMBLY (J.20-5602)				
7368		14-14	1	
7369	Body only, for Converter Valve (J.20-5612)		1	
6754	Converter Shuttle Valve, Direct (J.20-6381)	14-15	1	
6779	Converter Shuttle Valve, Reverse (J.20-6414)	14-16	1	
6999	Sleeve, for Converter Shuttle Valve (J.20-6431)	14-17	1	
6681	Retainer, for Shuttle Valve Sleeve (J.20-617/A)	14-18	1	
OIL FILTER ASSEMBLY (J.20-5572)				
6688		14-19	1	
6873	Retainer, for Oil Filter (J.20-558/B)	14-20	1	
6759	Screw, securing Retainer (JGM.113954)		1	
C.739	Washer, Shakeproof, on Screw (JGM.114604)		1	
OIL SUMP (J.20-649/A)				
5467		14-21	1	
3737	Plug, in Oil Sump Drain Hole (J.20-580)	14-22	1	
3741	Washer, on Plug (J.20-592)	14-23	1	
3736	Gasket, between Oil Sump and Transmission Case (J.20-579)	14-24	1	
6757	Bolt, $\frac{5}{16}$ " \times $\frac{3}{8}$ ", securing Oil Sump to Transmission Case (JGM.106324)		14	
5908	Washer, $\frac{5}{16}$ " Spring, on Bolts (JGM.103320)		14	
EXTENSION CASE ASSEMBLY COMPLETE (J.20-70259)				
10090			1	
10091	Extension Case Assembly (J.20-7048)	15-1	1	

AUTOMATIC TRANSMISSION UNIT

Part No.	Description	Plate No.	No. per Unit	Remarks
EXTENSION CASE ASSEMBLY (Cont.)				
3625	'O' Ring, on Bush for Governor Adjusting Shaft ($\frac{1}{2}$ " \times $\frac{1}{4}$ " \times $\frac{3}{8}$ ") (J.20-120)	15—2	1	
5469	Pawl, second Speed Drive (J.20-719/A)	15—3	1	
3764	Washer, for Control Link and Pawl (J.20-720)	15—4	2	
3765	Rocker Arm, for Governor Control (J.20-721)	15—5	1	
3767	Washer, behind Rocker Arm (J.20-723)		1	
5688	Stop, for Governor (J.20-722/A)	15—6	1	
3768	Distance Piece, behind Stop Plate (J.20-724)		1	
3769	Spring, operating Governor Control Rocker Arm (J.20-725)	15—7	1	
3808	Shaft and Lever Assembly, for Governor adjustment (J.20-836)	15—8	1	
3770	Lever, Governor Adjusting (J.20-728)	15—9	1	
10085	Finger, for Governor Adjusting Lever (J.20-7361)	15—10	2	
3771	Return Spring, for Governor Adjusting Lever (J.20-735)	15—11	1	
3795	Valve and Fork Assembly, for Governor Control (J.20-790)	15—12	1	
3774	Detent Piston, for Governor Control Valve (J.20-744)	15—13	1	
8428	Screw, $\frac{1}{2}$ " \times $\frac{3}{8}$ " securing Retaining Plate for Governor Fork (JGM.114354)		1	
8426	Washer, $\frac{1}{2}$ " Spring, on Screw (JGM.103319)		1	
3796	Plunger, in Extension, operating Accelerator Detent (J.20-791)	15—14	1	
3797	Spring, tensioning Plungers (J.20-792)	15—15	1	
3790	Gasket, between Extension and Transmission Case (J.20-793)	15—16	1	
3762	Oil Seal, at end of Extension Case (J.20-716)	15—17	1	
8435	Bolt, $\frac{3}{8}$ " \times 1", securing Extension Case to Transmission Case (JGM.179839)		4	
5700	Bolt, $\frac{3}{8}$ " \times 2 $\frac{1}{4}$ ", securing Extension Case to Transmission Case (J.20-1100)		1	
5701	Bolt, $\frac{3}{8}$ " \times 3" securing Extension Case to Transmission Case (J.20-1101)		1	
8427	Washer, $\frac{3}{8}$ " Spring, on Bolts (JGM.103321)		6	
5715	DETENT CAM, CONTROL LINK AND PLUNGER ASSEMBLY, OPERATING KICKDOWN CONTROL (J.20-8301)	15—18	1	
6758	Key, Woodruff $\frac{1}{2}$ " diameter \times $\frac{1}{2}$ " positioning Control Shaft to Detent Cam (JGM.106958)	15—19	1	
6889	Screw, Set (Allen Head) No. 10 \times $\frac{1}{8}$ " preventing withdrawal of Shaft from Cam (JGM.140879)	15—20	1	
3771	Return Spring, for Detent Cam (J.20-735)	15—11	1	
3793	Screw, Set, $\frac{1}{4}$ " \times $\frac{1}{4}$ ", for Kickdown Adjustment (J.20-787)	15—21	1	
6752	Washer (Copper), on Setscrew (JGM.446195)	15—22	1	
3794	Nut, Stop, for Setscrew (J.20-778)	15—23	1	
5954	Nut, Dome, for Setscrew (JGM.441263)	15—24	1	
10092	GOVERNOR ASSEMBLY (J.20-7751)	15—25	1	
3788	Bearing, on Governor Shaft (J.20-778)		1	
3782	Washer (Fibre) on Governor Shaft (J.20-767)		1	
3789	Snap Ring, retaining Bearing and Washer on Shaft (J.20-779)		2	
3785	Shaft, carrying Governor Assembly (J.20-773/A)	15—26	1	
7372	Return Spring, on Governor Shaft (J.20-7648)	15—27	1	

AUTOMATIC TRANSMISSION UNIT

Part No.	Description	Plate No.	No. per Unit	Remarks
3799	PAWL AND TOGGLE ASSEMBLY OPERATING PARKING DEVICE (J.20-800)	15—28	1	
7535	Pivot Pin, for Pawl (J.20-8081)	15—29	1	
7536	Shaft, supporting Parking Brake (J.20-8051)	15—30	1	
3802	Ring, retaining Shaft in Extension (J.20-807)	15—31	1	
3805	INTERLOCK PISTON ASSEMBLY FOR PARKING BRAKE (J.20-810)	15—32	1	
10037	Spring, for Parking Brake Interlock Piston (J.20-8131)	15—33	1	
3783	HOUSING FOR SPEEDOMETER DRIVE GEAR (J.20-770)	15—34	1	
3786	Gasket, between Housing and Extension (J.20-774)	15—35	1	
3792	Cover, for Housing (J.20-786)	15—36	1	
3791	Gasket, between Housing and Cover (J.20-785)	15—37	1	
3784	SPEEDOMETER DRIVE GEAR (J.20-772/A)	15—39	1	
3775	REAR PUMP ASSEMBLY (J.20-750)		1	
5689	Body only, for Rear Pump (J.20-751)	15—40	1	
5690	Driving Gear and Shaft Assembly (J.20-755)	15—41	1	
5691	Idler Gear Assembly (J.20-758)	15—42	1	
5692	Cover, for Rear Pump (J.20-762)	15—43	1	
3779	Gasket (.002" thick) under Cover (Coloured clear) (J.20-761)	15—44	1	} SELECTIVE RANGE FOR CLEARANCE BETWEEN COVER AND GEARS
3780	Gasket (.003" thick) under Cover (Coloured clear) (J.20-761/A)	15—44	1	
3778	Gasket (.005" thick) under Cover (Coloured Grey) (J.20-761/B)	15—44	1	
3776	Gasket (.006" thick) under Cover (Coloured Opaque Black or Manilla) (J.20-761/C)	15—44	1	
3777	Gasket (.008" thick) under Cover (Coloured Black or Manilla) (J.20-761/D)	15—44	1	
8422	Bolt, $\frac{1}{4}$ " x $\frac{7}{8}$ ", securing Cover to Pump Body (J.20-1108)		2	
8426	Washer, $\frac{1}{4}$ " Spring, on Bolts (JGM.103319)		2	
5693	Governor Driven Gear (J.20-765)	15—45	1	
6756	Pin, securing Governor Driven Gear (JGM.103723)	15—46	1	
3781	Gasket, between Rear Pump and Extension (J.20-766)	15—47	1	
8318	Bolt, $\frac{3}{8}$ " x $2\frac{1}{4}$ " securing Rear Pump to Extension (JGM.179827)		3	
5908	Washer, $\frac{3}{8}$ " Spring, on Bolts (JGM.103320)		3	
7341	Plug, in Rear Pump Cover (JGM.444732)		1	
431792	SPEEDOMETER DRIVEN GEAR ASSEMBLY	15—48	1	
308731	REAR ENGINE MOUNTING BRACKET ON GEARBOX		1	
UCS.137/6R	Screw, Set, securing Mounting Bracket to Gearbox		4	
FG.106/X	Washer, Spring, on Setscrews		4	

AUTOMATIC TRANSMISSION UNIT

Part No.	Description	Plate No.	No. per Unit	Remarks
6767	COMPLETE KIT OF OIL SEALS FOR USE WHEN OVERHAULING TRANSMISSION UNIT (J.20-097)		1	
7476	GASKET SET FOR USE WHEN OVERHAULING TRANSMISSION UNIT		1	
8782	REPAIR KIT FOR MULTI-DISC CLUTCH (J.20-0984)		1	
	Consisting of:—			
6683	Clutch Plate		4	
6676	Friction Disc		3	
3653	Retractor Spring		12	
6764	Snap Ring		1	
3648	Piston Seal		1	
8783	THRUST WASHER KIT (J.20-099)		1	
	Consisting of:—			
3637	Thrust Washer		1	
3677	Thrust Washer		1	
3678	Thrust Washer		1	
3679	Thrust Washer		1	
3680	Thrust Washer		1	
3640	Thrust Washer		1	
3669	Thrust Washer		1	
5415	Thrust Washer		1	
3660	Thrust Washer		1	

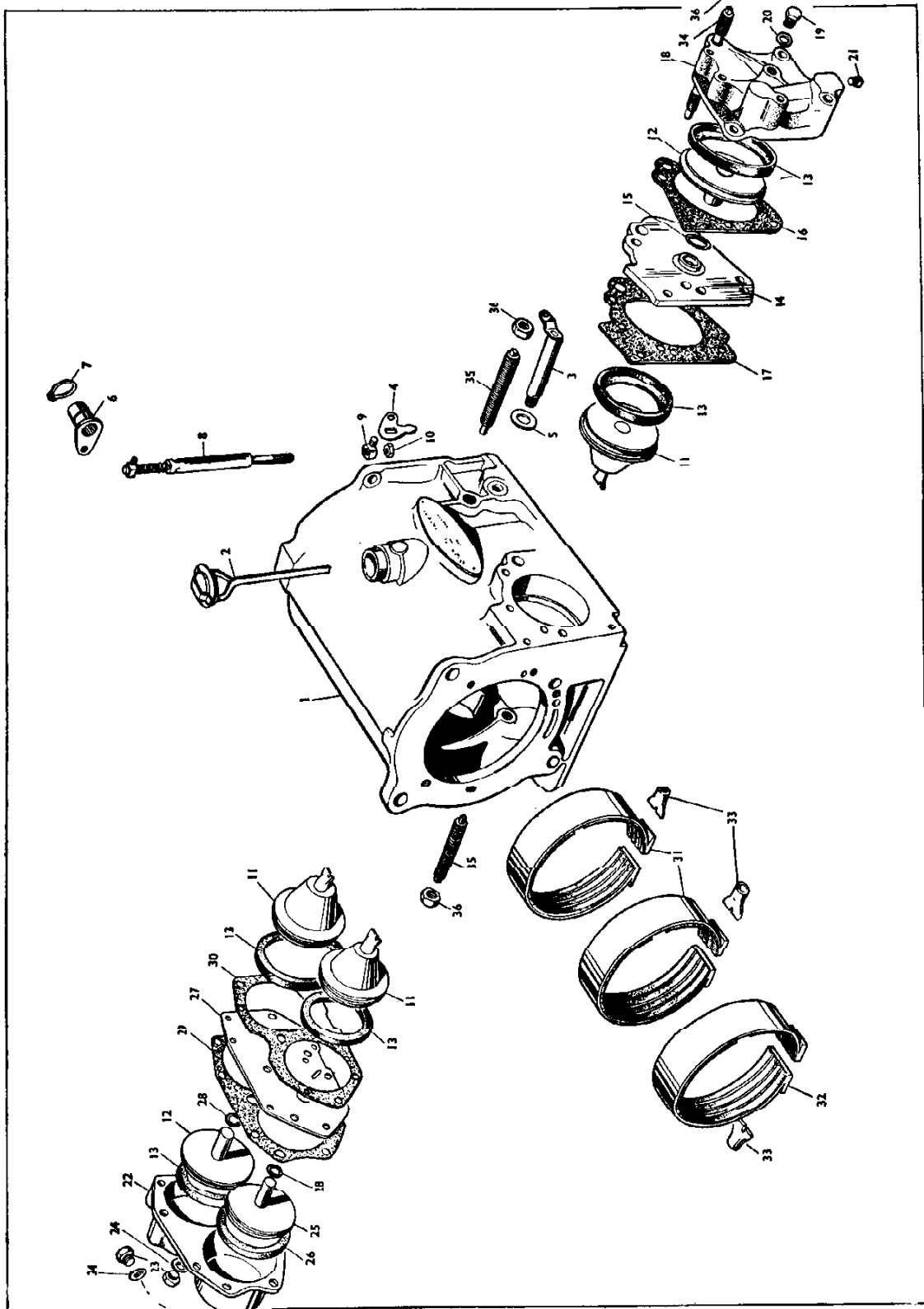


PLATE 12

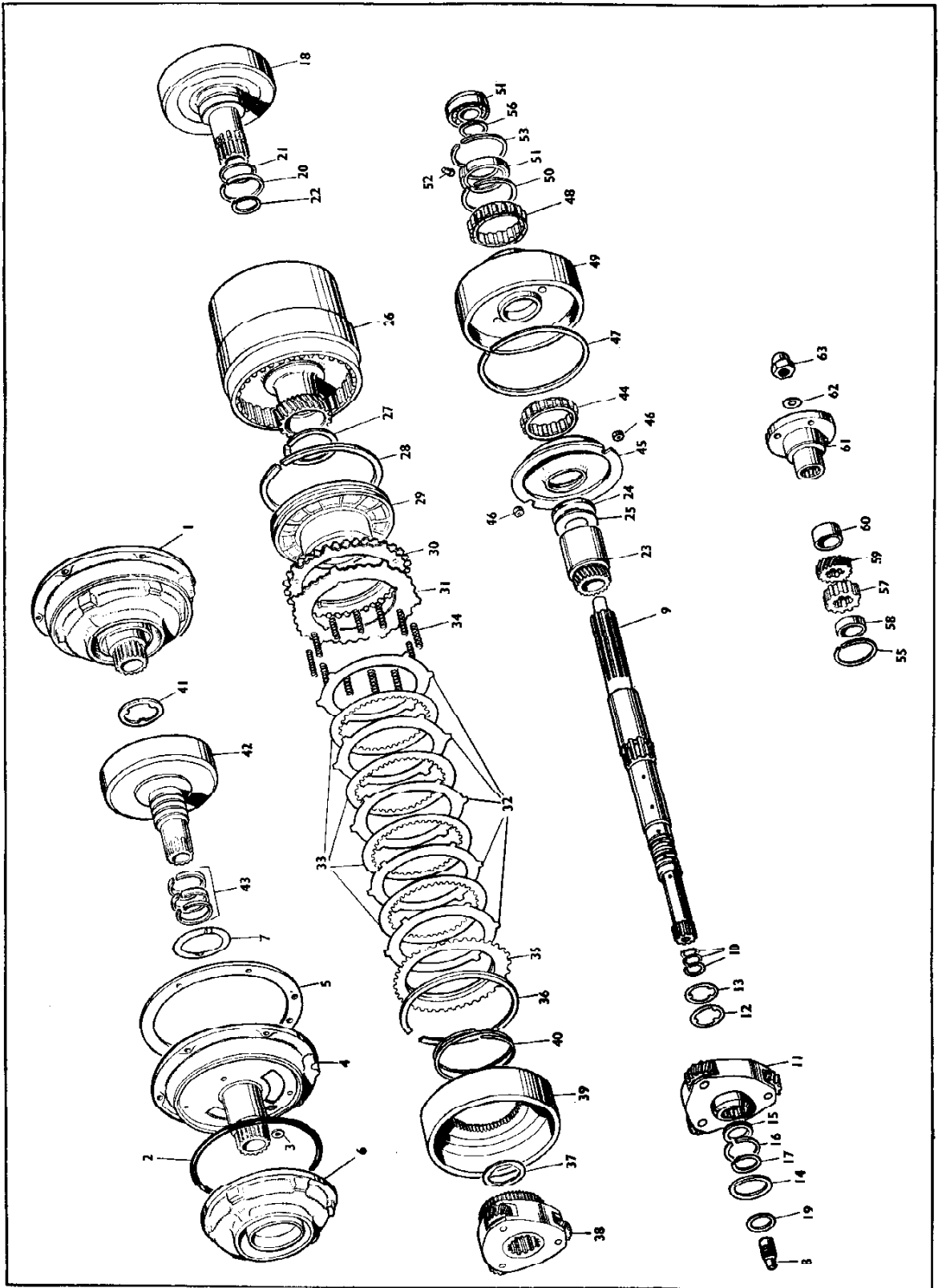


PLATE 13

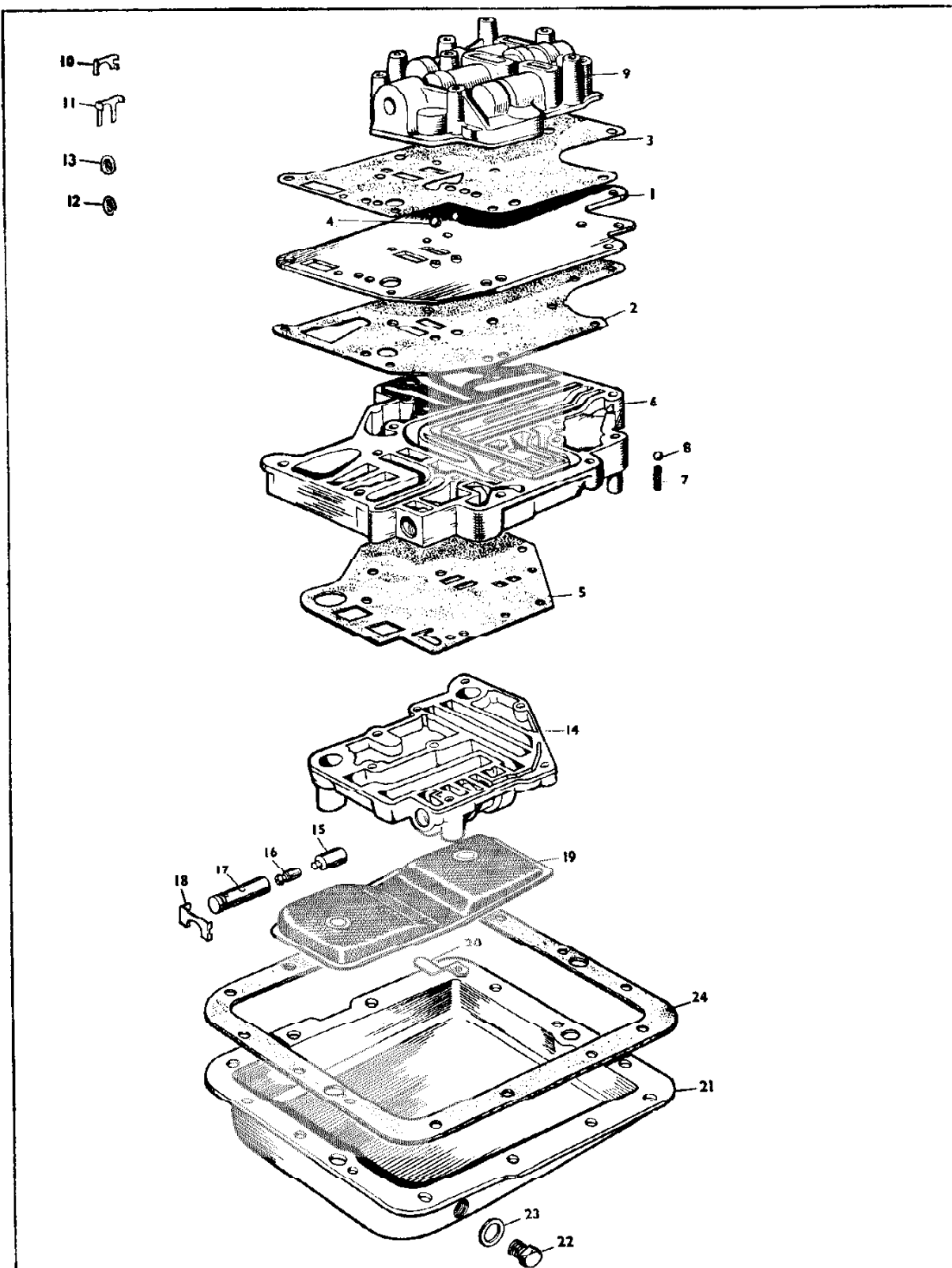


PLATE 14

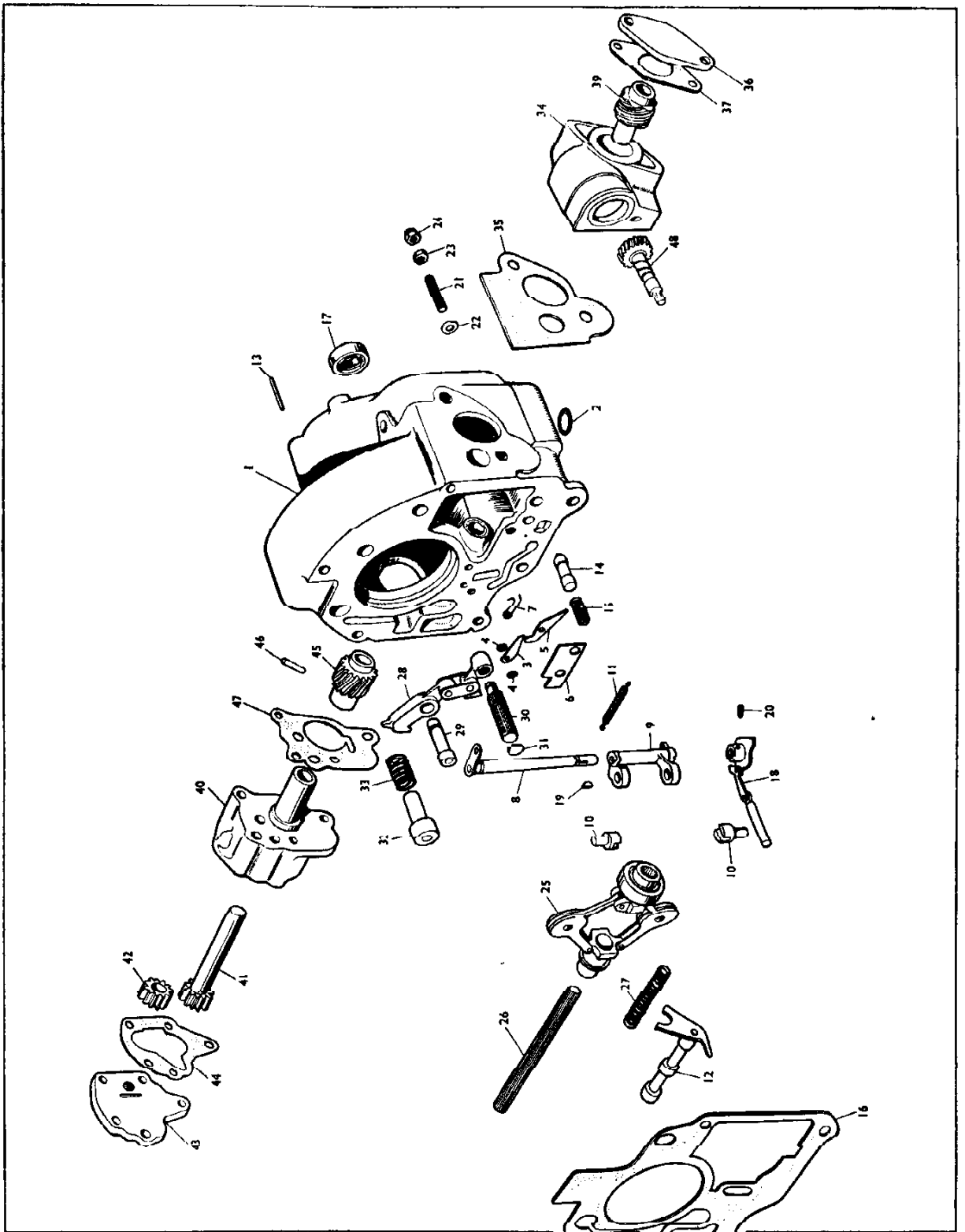


PLATE 15

AUTOMATIC TRANSMISSION UNIT

MOUNTING DETAILS

Part No.	Description	Plate No.	No. per Unit	Remarks
136462	CONVERTER HOUSING ASSEMBLY	16-1	1	
0608/16	Bush, for Converter Housing	16-2	1	
420304	Dowel, for Converter Housing	16-3	1	
34007/16	Stud, $\frac{7}{16}$ " \times 2", for Converter Housing	16-4	2	
UFN.143/L FG.107/X	Nut, $\frac{7}{16}$ " securing Converter Housing to Gearbox Washer, $\frac{7}{16}$ " Spring, on Studs		4 4	
307193	Cover Plate, for Air Outlet	16-5	2	
432864	Cover Plate, for Air Inlet	16-6	2	
NS.419/4H AG.102/X	Screw, No. 10 \times $\frac{1}{2}$ ", securing Cover Washer, Spring, on Screws		12 12	
307391	STARTER GEAR RING	16-7	1	
135832	Mounting Plate, for Starter Gear Ring	16-8	1	
430205	Screw (Long), securing Starter Gear Ring to Mounting Plate		6	
430206	Screw (Short), securing Starter Gear Ring to Mounting Plate		2	
FG.106/X 307226	Washer, $\frac{3}{8}$ " Spring, on Screws Spacing Washer, for Mounting Plate	16-9	8 2	
430239	Bolt, for Crankshaft Flange	16-10	6	
430237	Lock Plate, on Bolts	16-11	3	
UCS.131/12R	Setscrew, securing Converter Housing and Support Plate to Cylinder Block		7	
UFB.131/11R	Bolt, securing Converter Housing to Transmission Support Plate		6	
UFN.131/L FG.105/X	Nut, on Bolts Washer, Spring, on Setscrews and Bolts		6 13	
136200	BRACKET, SUPPORTING TRANSMISSION UNIT	16-12	1	
307497	RUBBER MOUNTING FOR TRANSMISSION UNIT	16-13	2	
C.8667/2	Nut, securing Rubber Mounting to Support Bracket		2	
UFS.131/7R	Screw, Set, securing Rubber Mounting to Mounting Bracket		4	
C.8667/2	Nut, on Setscrews		4	

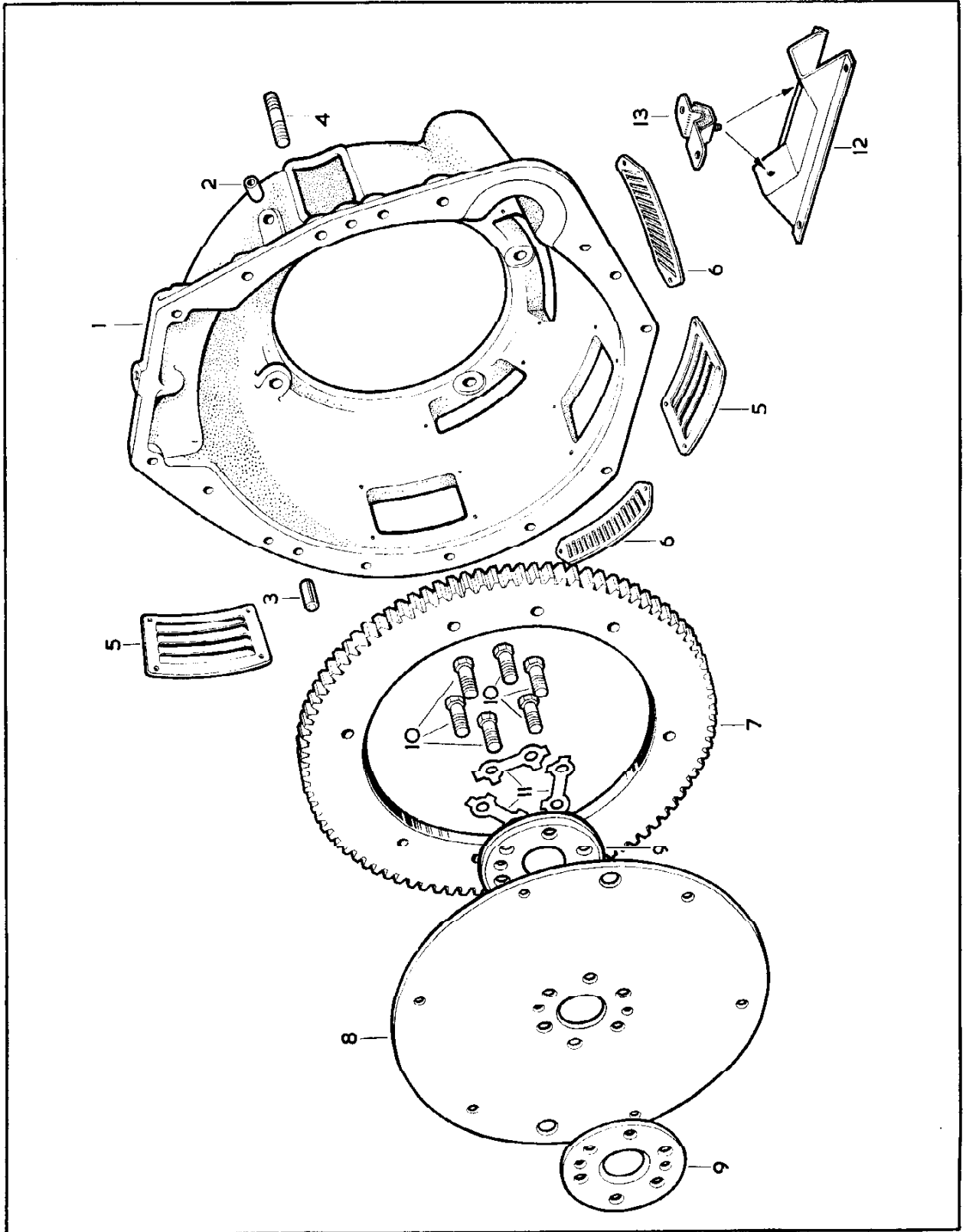


PLATE 16

SELECTOR CONTROLS (AUTOMATIC TRANSMISSION)

Part No.	Description	Plate No.	No. per Unit	Remarks
432438	SELECTOR QUADRANT ASSEMBLY	17-1	1	
0810/16	Bush , in Quadrant		1	
UCS.131/5R	Screw , Set, securing Quadrant to Transmission Unit Mounting Bracket		3	
FG.105/X	Washer , Spring, on Setscrews		3	
136454	COVER FOR QUADRANT ASSEMBLY	17-2	1	
UCS.525/8H	Screw , Set, securing Cover to Quadrant		1	
UCS.525/10H	Screw , Set, securing Cover to Quadrant		2	
423145	Lockwasher , on Setscrews		3	
307192	SELECTOR HAND LEVER	17-3	1	
430195	Knob , on Selector Lever	17-4	1	
430199	Nut , securing Knob to Lever	17-5	1	
430194	Pivot Pin , securing Selector Lever to Boss on Operating Lever	17-6	1	
UFN.119/L	Nut , securing Pivot Pin		1	
C.723/A	Washer , Shakeproof, under Nut		1	
308734	BOSS ON OPERATING LEVER	17-7	1	
422510/10	Key , locating Boss on Operating Lever	17-8	1	
UFN.137/L	Nut , securing Boss to Operating Lever		1	
FG.106/X	Washer , Spring, under Nut		1	
430200	Spring , tensioning Selector Hand Lever	17-9	1	
430242	Stop Plate , for Selector Hand Lever	17-10	1	
430243	Parking (Fibre) under Stop Plate	17-11	1	
906049	Screw , Set, securing Retaining Plate to Boss		2	
432420	OPERATING LEVER, IN QUADRANT ASSEMBLY	17-12	1	
432943	Wavy Washer , between Operating Lever and Quadrant	17-13	1	
426768	Ball Pin , in Operating Lever for Control Rod	17-14	1	
UFN.125/L	Nut , securing Ball Pin		1	
432922	CONTACT ADJUSTER ON OPERATING LEVER, FOR STARTER SOLENOID CUT-OUT	17-15	1	
NN.121/L	Nut , securing Contact Adjuster to Operating Lever		1	
308374	SWITCH IN QUADRANT, FOR STARTER SOLENOID CUT-OUT	17-16	1	
C.730	Washer , Shakeproof, on Switch		1	

SELECTOR CONTROLS

(AUTOMATIC TRANSMISSION)

Part No.	Description	Plate No.	No. per Unit	Remarks
422542/6	CONTROL ROD, BETWEEN OPERATING LEVER AND BELL CRANK LEVER	17—17	1	
426767 UFN.125/L FG.104/X	Ball Socket, on Control Rod Nut, securing Ball Sockets to Rod Washer, Spring, under Nuts	17—18	2 2 2	
432480	BELL CRANK LEVER ASSEMBLY, ON TRANSMISSION UNIT MOUNTING BRACKET	17—19	1	
0608/16	Bush, on Bell Crank Lever		1	
432942 C.8667/1 FW.104/T	Wavy Washer, between Bell Crank Lever and Bracket Nut, securing Bell Crank Lever to Bracket Washer, Plain, under Nut	17—20	1 1 1	
426768 UFN.125/L FG.104/X	Ball Pin, on Bell Crank Lever for Control Rod Nut, securing Ball Pin to Bell Crank Lever Washer, Spring under Nut	17—21	1 1 1	
308736	CONTROL ROD, FROM BELL CRANK LEVER TO SELECTOR LEVER ON TRANSMISSION UNIT	17—22	1	
432436 422531/03 L.102/4U FW.104/T	Fork End, connecting Control Rod to Bell Crank Lever Clevis Pin, securing Fork End to Bell Crank Lever Split Pin, retaining Clevis Pin Washer, Plain, behind Split Pin	17—23 17—24	1 1 1 1	
426767 UFN.125/L	Ball Socket, connecting Control Rod to Selector Lever on Transmission Unit Nut, securing Fork End and Ball Socket to Rod	17—25	1 2	
426768	BALL PIN, ON TRANSMISSION UNIT SELECTOR LEVER	17—26	1	
UFN.125/L FG.104/X	Nut, securing Ball Pin Washer, Spring, under Nut		1 1	
308765	LEATHER GAITER, FOR QUADRANT ASSEMBLY	17—27	1	
432444 426934/22 AG.104/X	Fixing Plate (Inner) securing Gaiter to Quadrant Screw, securing Fixing Plate to Quadrant Washer, Spring, on Screws	17—28	1 8 8	
308763 425285/17	Fixing Plate (Outer) securing Gaiter Screw, securing Fixing Plate to Gearbox Cover	17—29	1 10	

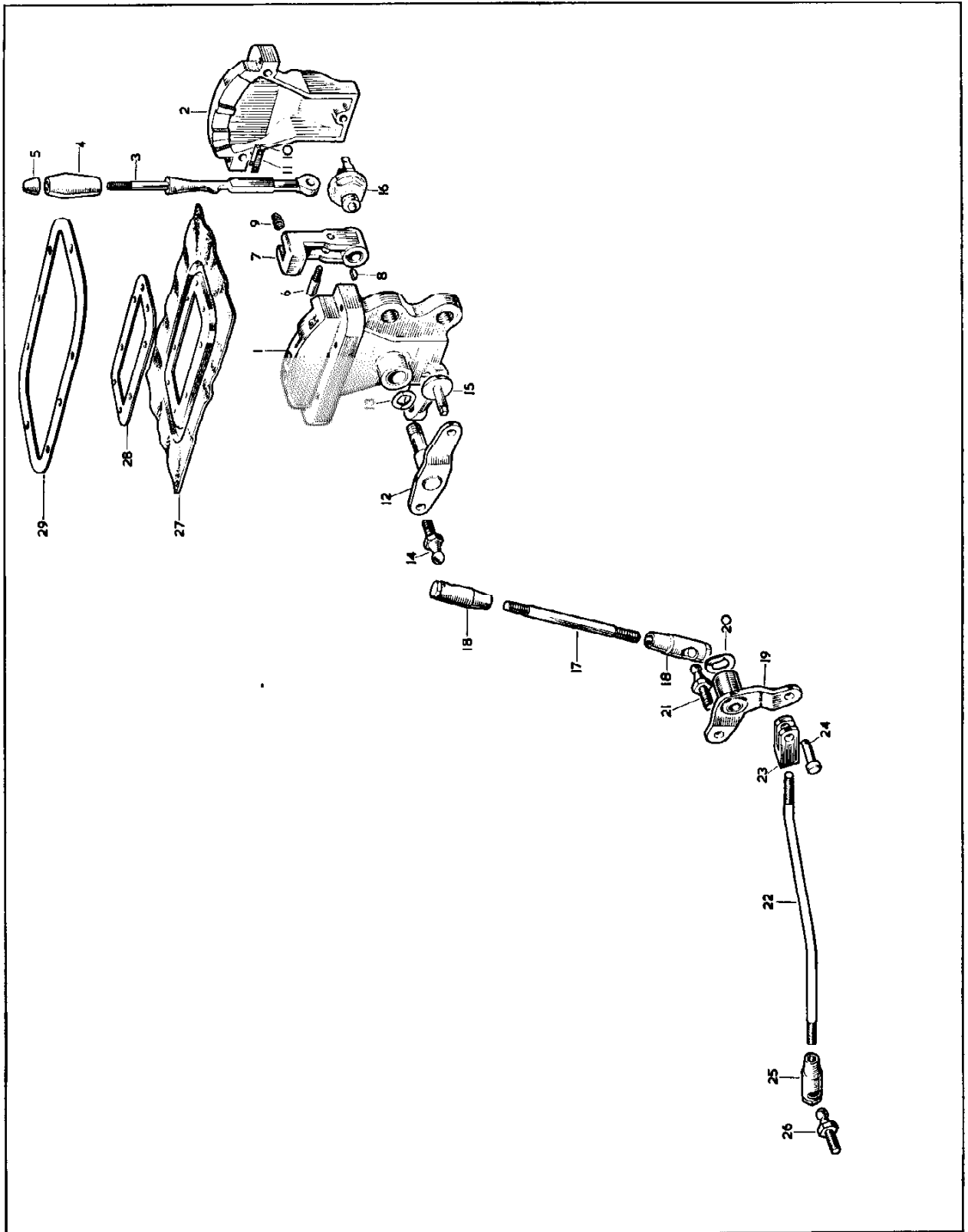


PLATE 17

PROPELLER SHAFT

Part No.	Description	Platc No.	No. per Unit	Remarks
302150	PROPELLER SHAFT ASSEMBLY	18—1	1	FOR USE ON CARS FITTED WITH STANDARD TRANSMISSION ONLY
12	Flange Yoke (K2/2/239)	18—2	2	
13	Sleeve Yoke (K2/3/68)	18—3	1	
26	Dust Cap, for Sleeve Yoke (3/14/39)	18—4	1	
28	Washer, (Cork) in Dust Cap (K3/16/43)	18—5	1	
27	Washer, (Steel) in Dust Cap (K3/15/33)	18—6	1	
8406	Grease Nipple, on Sleeve Yoke (94/GB.2204)	18—7	1	
46	Journal Assembly, connecting Flange Yokes to Propeller Shaft (K.5/L.4)	18—8	2	
248	Grease Nipple, in Journals (94/GB.1598)	18—9	2	
309289	PROPELLER SHAFT ASSEMBLY		1	FOR USE ON CARS FITTED WITH AUTOMATIC TRANSMISSION ONLY
	Individual items are as for Propeller Shaft Assembly 302150			
430256 C.8667/3	Bolt, securing Propeller Shaft to Gearbox and Rear Axle Nut, on Bolts	8 8	8	} STANDARD TRANSMISSION ONLY
430256 C.8667/3	Bolt, securing Propeller Shaft to Rear Axle Nut, on Bolts at Rear Axle	4 4	4	
C.8667/3	Nut, on Bolts, in Transmission Unit Flange	4	4	} AUTOMATIC TRANSMISSION ONLY

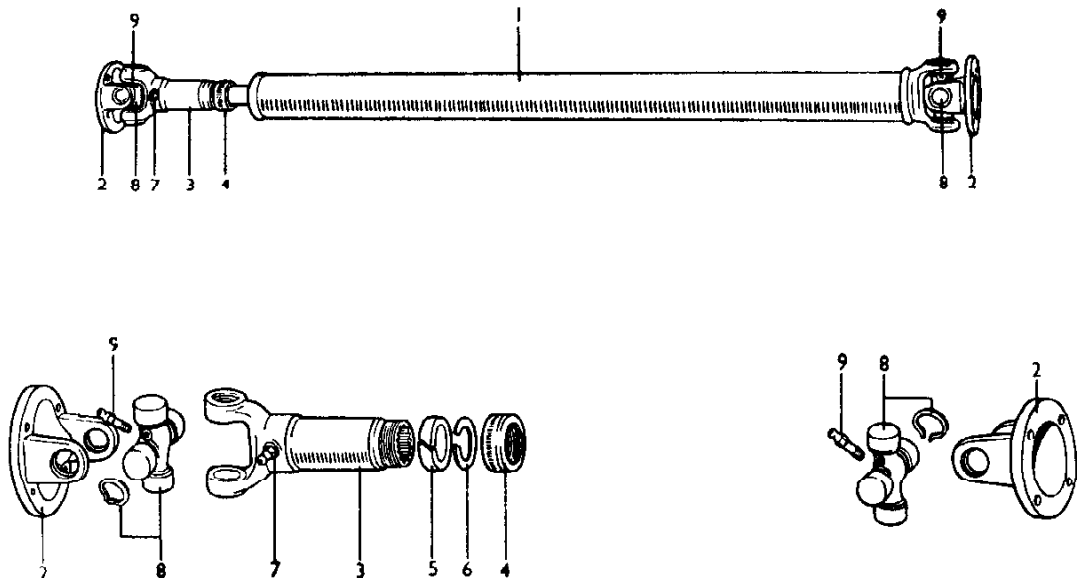


PLATE 18

REAR AXLE

Part No.	Description	Plate No.	No. per Unit	Remarks
76223	REAR AXLE ASSEMBLY COMPLETE (RATIO 3-58:1) (7HA-001-10)		1	1st CONDITION
26223/01	Carrier and Tube Assembly (7HA-101/6)	19-1	1	
135220/02	Differential Bearing Cap (6HA-011/1)	19-2	2	
135220/40	Screw, Set, securing Bearing Caps (6B-NC.32)	19-3	4	
6124	Lockwasher, on Setscrews (6LW-11)	19-4	4	
26223/02	Crown Wheel and Pinion (Ratio 3-58:1) (7HA-105/7)	19-5	1	
26223/03	Screw, Set, securing Crown Wheel to Differential Case (7HA-075)	19-6	8	
26223/04	Lockplate, on Setscrews (7HA-074)	19-7	4	NO LONGER REQUIRED
135220/07	Nut, securing Companion Flange to Drive Pinion (10LN-NF.8)	19-8	1	
135220/08	Washer, under Nut (10W-19)	19-9	1	
26223/05	Companion Flange Assembly (7HA-102/4)	19-10	1	
26223/06	Oil Seal, on Pinion (7HA-019/1)	19-11	1	
135220/13	Oil Slinger, on Pinion (7HA-036)	19-12	1	
26223/07	Roller Bearing, at outer end of Pinion (7HA-022)	19-13	1	
135220/15	Shim, outer, adjusting Pinion (-.003" thick) (6HA-039)	19-14	As req'd	} USE SHIM OF DESIRED THICKNESS
135220/16	Shim, outer, adjusting Pinion (-.005" thick) (6HA-040)	19-14	As req'd	
135220/17	Shim, outer, adjusting Pinion (-.010" thick) (6HA-041)	19-14	As req'd	
135220/18	Shim, outer, adjusting Pinion (-.030" thick) (6HA-042)	19-14	As req'd	} USE SHIM OF DESIRED THICKNESS
3844	Roller Bearing, at inner end of Pinion (2HA-023)	19-15	1	
3860	Shim, inner, adjusting Pinion (-.003" thick) (2HA-043)	19-16	As req'd	
3861	Shim, inner, adjusting Pinion (-.005" thick) (2HA-044)	19-16	As req'd	} USE SHIM OF DESIRED THICKNESS
3862	Shim, inner, adjusting Pinion (-.010" thick) (2HA-045)	19-16	As req'd	
26223/08	Case, Differential Assembly (7HA-082/3)		1	
135220/30	Roller Bearing, on Differential Case (6HA-024/1)	19-25	2	
135220/31	Shim, adjusting Differential (-.003" thick) (6HA-046/1)	19-26	As req'd	} USE SHIM OF DESIRED THICKNESS
135220/32	Shim, adjusting Differential (-.005" thick) (6HA-047/1)	19-26	As req'd	
135220/33	Shim, adjusting Differential (-.010" thick) (6HA-048/1)	19-26	As req'd	
135220/34	Shim, adjusting Differential (-.030" thick) (6HA-049/1)	19-26	As req'd	
26223/11	Cover, for Carrier (7HA-010/1)	19-27	1	
26223/12	Gasket, for Cover (7HA-026)	19-28	1	
CS.131/5D	Screw, Set, securing Cover to Carrier (5B-NC.10)		10	
47	Lockplate, on Setscrews (5LW-95)		10	
3823	Plug, for Filler and Drain Apertures (11A-059)	19-29	3	
26223/13	Axle Shaft (7HA-005/2)	19-30	2	
26280	REAR AXLE COMPLETE (RATIO 3-58:1) (7HA-001-30)		1	2nd CONDITION
9188	Carrier and Tube Assembly (7HA-101/15)		1	
9196	Case, Differential Assembly (7HA-082/7)		1	
9199	Roller Bearing, on Differential Case (7HA-024)		2	
3863	Shim, adjusting Differential (-.003" thick) (2HA-046)		As req'd	} USE SHIM OF DESIRED THICKNESS
3864	Shim, adjusting Differential (-.005" thick) (2HA-047)		As req'd	
3865	Shim, adjusting Differential (-.010" thick) (2HA-048)		As req'd	
3866	Shim, adjusting Differential (-.030" thick) (2HA-049)		As req'd	
9189	Crown Wheel and Pinion (Ratio 3-58:1) (7HA-105/11)		1	
9192	Roller Bearing, at inner end of Pinion (7HA-023/1)		1	
9193	Shim, inner, adjusting Pinion (-.003" thick) (7HA-043)		As req'd	} USE SHIM OF DESIRED THICKNESS
9194	Shim, inner, adjusting Pinion (-.005" thick) (7HA-044)		As req'd	
9195	Shim, inner, adjusting Pinion (-.010" thick) (7HA-045)		As req'd	
9191	Roller Bearing, at outer end of Pinion (7HA-022/1)		1	
9190	Oil Seal, on Pinion (6HA-091/1)		1	

All other items are as for Rear Axle 26223

REAR AXLE

Part No.	Description	Plate No.	No. per Unit	Remarks
26223/08	DIFFERENTIAL CASE ASSEMBLY (7HA-082/3)		1	1st CONDITION
26223/09	Case only (7HA-006/3)	19—17	1	
4132	Gear, Side, for Differential (31A-007/9)	19—18	2	
3912	Thrust Washer, for Side Gears (3HA-038)	19—19	2	
4133	Gear, Differential Pinion Mate (3HA-008/9)	19—20	2	
4135	Thrust Washer, for Pinion Mate Gears (3HA-037/2)	19—21	2	
26223/10	Shaft, for Pinion Mate Gears (7HA-012)	19—22	1	
3838	Pin, locking Pinion Mate Gears to Differential Case (2HA-013)	19—23	1	
3909	Spacer, on Shaft (3HA-033/1)	19—24	1	
9196	DIFFERENTIAL CASE ASSEMBLY (7HA-082/7)		1	2nd CONDITION
9197	Case only (7HA-006/5)		1	
9198	Pin, locking Pinion Mate Gears to Differential Case (7HA-013)		1	
26223/23	Spacer, on Shaft (7HA-033)		1	
All other items are as for Differential Case Assembly 26223/08				
26223/13	REAR AXLE SHAFT (7HA-005/2)	19—30	2	
4144	Oil Seal, in ends of Carrier Tube (3HA-027/3)	19—31	2	
7993	Roller Bearing, for Hubs (7HA-025)	19—32	2	
4145	Shim, adjusting Hub Bearing (.003" thick) (HA-050/2)	19—33	As req'd	} USE SHIM OF DESIRED THICKNESS
4146	Shim, adjusting Hub Bearing (.005" thick) (HA-051/2)	19—33	As req'd	
4147	Shim, adjusting Hub Bearing (.010" thick) (HA-052/2)	19—33	As req'd	
4148	Shim, adjusting Hub Bearing (.030" thick) (HA-053/2)	19—33	As req'd	
26223/16	Retainer Plate, for Hub Bearings (7HA-035/2)	19—34	2	
3039	Oil Seal, for Rear Hubs (HA-057/1)	19—35	2	
4149	Gasket, between Oil Seal and Retainer Plate (HA-031/4)	19—36	2	
7757	Bolt, securing Retainer Plate to Axle Tube (6B-NF.18B)		2	
26223/22	Bolt, securing Retainer Plate and Brake Caliper Support Bracket to Axle Tube (6B-NF.26)		6	
26223/19	Nut, on Bolts (6LN-NF.6B)		8	
134502/03	Washer, Plain, under Nuts (6W-12)		8	
C.11835	Key, locating Hubs on Shafts (3HA-029/1)	19—37	2	
4141	Slotted Nut, on Axle Shafts (14SN-NF.10)	19—38	2	
L.104/14L	Split Pin, retaining Nuts (8SP.13)		2	
4141	Washer, Plain, under Nuts (14W-26)	19—39	2	
422521/29	Grease Nipple, for Hub Bearings (6HA-056)	19—40	2	
26223/21	Shim, (.030" thick) for Caliper Support Bracket (7HA-053/1)		As req'd	
307996	REAR HUB ASSEMBLY	19—41	2	
430649	Stud, in Hubs, for Road Wheels	19—42	8	
430650	Nut, securing Road Wheels to Hubs	19—43	8	
308124	REAR BRAKE DISC	19—44	2	
431685	Screw, Set, securing Brake Discs to Hubs		8	
431492	Lockplate, on Setscrews		4	

REAR AXLE

Part No.	Description	Plate No.	No. per Unit	Remarks
308118	SUPPORT BRACKET FOR REAR BRAKE CALIPERS	19-45	2	
136203	REAR BRAKE CALIPER R.H.	19-46	1	
432668	Bolt, securing Caliper to Support Bracket		4	
431155	Lockplate, on Bolts		2	
431907/01	Shim (.005" thick) adjusting Caliper		As req'd	} SELECTIVE THICKNESS
431907/02	Shim (.020" thick) adjusting Caliper		As req'd	

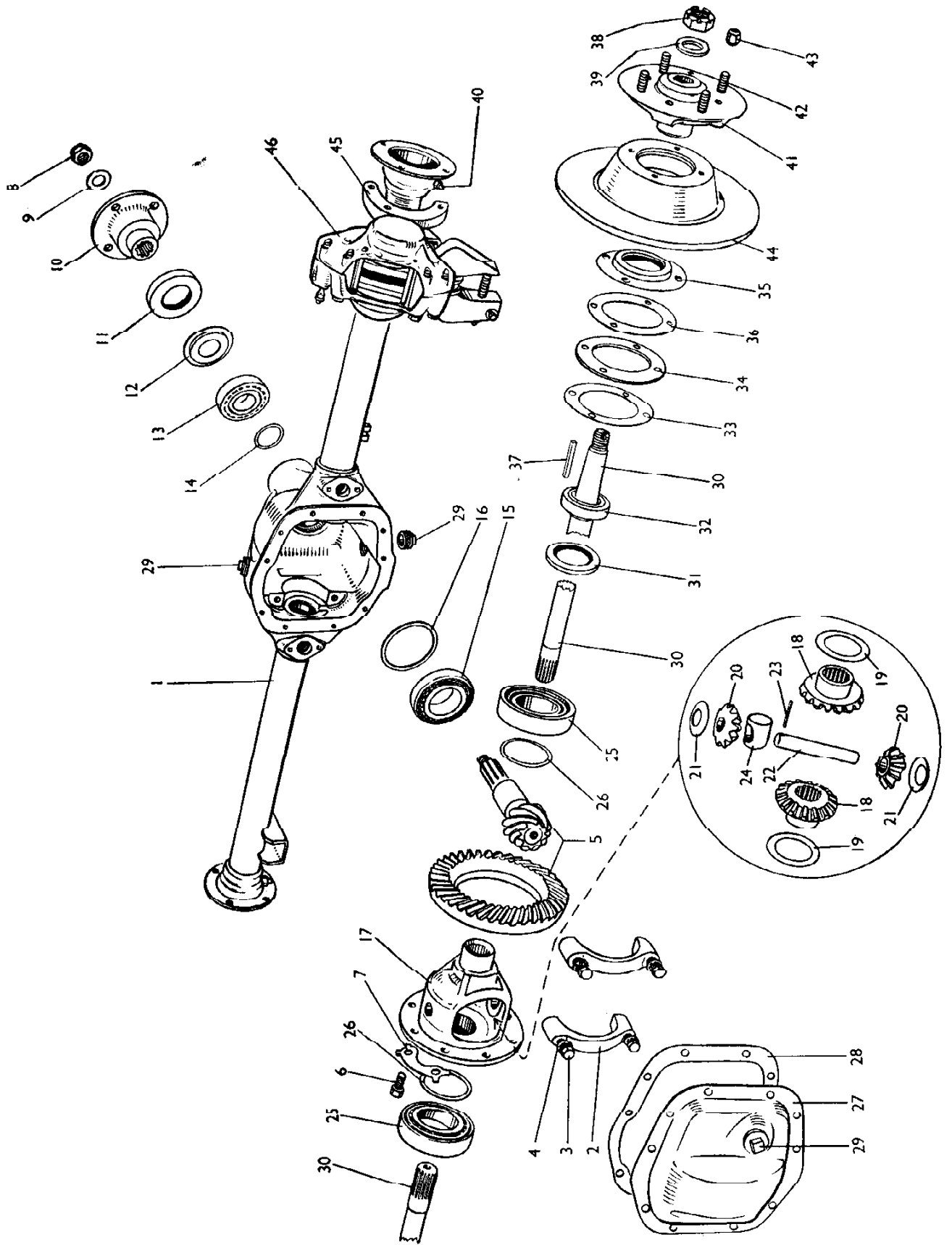


PLATE 19

FRONT SUSPENSION

Part No.	Description	Plate No.	No. per Unit	Remarks
136194	R.H. FRONT SUSPENSION UNIT ASSEMBLY		1	
136195	L.H. FRONT SUSPENSION UNIT ASSEMBLY		1	
136221	R.H. STUB AXLE CARRIER		1	
136222	L.H. STUB AXLE CARRIER	20-1	1	
307531	R.H. STEERING ARM		1	
307532	L.H. STEERING ARM	20-2	1	
308933	Brake Hose Abutment , on Steering Arm Bolts	20-3	2	
431557	Bolt , securing Steering Arms to Stub Axle Carriers	20-4	4	
FG.106/X	Washer , Spring, on Bolts	20-5	4	
308004	STUB AXLE SHAFT	20-6	2	
308004/01	Nut , Nyloc, on inner end of Shaft	20-7	2	
FW.109/T	Washer , Plain, under Nuts	20-8	2	
308174	FRONT HUB ASSEMBLY	20-9	2	
431383	Stud, for Road Wheels	20-10	8	
431566	Oil Seal Assembly , for Front Hubs	20-11	2	
431570	Bearing , Inner, for Front Hubs (1988/1922)	20-12	2	
C.15352	Bearing , Outer, for Front Hubs (LM.11949/LM.11910)	20-13	2	
C.3400	'D' Washer , on Stub Axle Shaft	20-14	2	
NN.756/L	Slotted Nut , securing Front Hubs to Stub Axle Shaft	20-15	2	
L.104/8U	Split Pin , retaining Nuts		2	
C.3039	HUB CAP	20-16	2	
136252	FRONT BRAKE DISC (64325226)	20-17	2	
431386	Bolt , securing Discs to Hubs		8	
FG.106/X	Washer , Spring, on Bolts		8	
308172	DUST COVER ASSEMBLY FOR R.H. BRAKE DISC		1	

FRONT SUSPENSION

Part No.	Description	Place No.	No. per Unit	Remarks
308173	DUST COVER ASSEMBLY FOR L.H. BRAKE DISC	20—10	1	
UFS.137/5R FG.106/X FW.106/T	Screw, Set, securing Dust Covers to Stub Axle Carriers Washer, Spring, on Setscrews Washer, Plain, under Spring Washers		2 2 2	
136158	R.H. FRONT BRAKE CALIPER (64032501 CV)		1	
136157	L.H. FRONT BRAKE CALIPER (64032500 CV)	20—19	1	
431560	Shim, (.010" thick) adjusting Calipers to Stub Axle Carriers		As req'd	
431559	Bolt, securing Calipers and Dust Covers to Stub Axle Carriers		4	
431558	Tab Washer, on Bolts		2	
308179	UPPER WISHBONE ARM (RIGHT-HAND FRONT, LEFT-HAND REAR)	20—20	2	
308180	UPPER WISHBONE ARM (LEFT-HAND FRONT, RIGHT-HAND REAR)	20—21	2	
431581	Distance Piece, in fork end of front Wishbone Arms	20—22	2	
308183	BALL JOINT ASSEMBLY FOR L.H. UPPER WISHBONE	20—23	1	
C.3020 431579	Gaiter, for Ball Joint Grease Nipple, for Ball Joint	20—24 20—25	1 1	
308182	BALL JOINT ASSEMBLY FOR R.H. UPPER WISHBONE		1	
	Individual items are as for Ball Joint Assembly 308183			
431589 L.104/10U FW.108/T 431581 L.104/8U FW.109/T	Slotted Nut, securing Ball Joints to Stub Axle Carriers Split Pin, retaining Slotted Nuts Washer, Plain, under Nuts Slotted Nut, securing Ball Joints to Upper Wishbones Split Pin, retaining Slotted Nuts Washer, Plain, under Nuts	20—26 20—27 20—27 20—28 20—29 20—29	2 2 2 2 2 2	
308181	INNER FULCRUM FOR UPPER WISHBONE	20—30	2	
431573 431590 L.103/7U 431574	Rubber Bush, in Fulcrums Slotted Nut, securing Upper Wishbones to Fulcrums Split Pin, retaining Slotted Nuts Washer, Plain, under Nuts	20—31 20—32 20—33 20—33	2 4 4 4	

FRONT SUSPENSION

Part No.	Description	Plate No.	No. per Unit	Remarks
308187	LOWER TRUNNION ASSEMBLY	20—34	2	
431584	Grease Seal, between Lower Trunnions and Stub Axle Carriers	20—35	2	
431579	Grease Nipple, for Lower Trunnion	20—36	2	
431586	LOCK-STOP, ON LOWER TRUNNION	20—37	2	
UFS.131/6R FG.105/X	Screw, Set, securing Lock-stop to Lower Trunnion	20—38	2	
	Washer, Spring, on Setscrews	20—39	2	
UFS.137/9R FG.106/X	Screw, Set, securing Inner Fulcrum to Chassis	20—40	4	
	Washer, Spring, on Setscrews	20—41	4	
UFB.137/14R C.8667/3	Bolt, securing Inner Fulcrum to Chassis	20—42	4	
	Nut, Nyloc, on Bolts		4	
430650	Nut, securing Road Wheels to Hubs	20—43	8	
431416	LOWER WISHBONE ARM ASSEMBLY (RIGHT-HAND FRONT, LEFT-HAND REAR)	20—44	2	
431415	CARRIER WISHBONE ARM ASSEMBLY (RIGHT-HAND REAR, LEFT-HAND FRONT)	20—45	2	
431588	Bush, in outer end of Wishbone Arm	20—46	4	
431414	Bush, in inner end of Wishbone Arm (13/1343)	20—47	4	
431579	Grease Nipple, for Wishbone Arm	20—48	4	
431389	Thrust Washer, for Lower Trunnion Shackles Pins	20—49	8	
431391	Lockwasher, under Nut on Trunnion Shackles Pins	20—50	4	
431390	Grease Seal, between Lower Wishbones and Trunnions	20—51	8	
431590	Slotted Nut, securing Lower Wishbone Arms to Trunnions	20—52	4	
L.103/7U	Split Pin, retaining Slotted Nuts		4	
308008	BRACKET, MOUNTING LOWER WISHBONE ARM ON CHASSIS	20—53	4	
431388	Bush, in Bracket	20—54	4	
UFB.150/26R C.8667/5	Bolt, securing Lower Wishbone Arms to Brackets	20—55	4	
	Nut, Nyloc, on Bolts	20—56	4	
431587	Shim, adjusting Bracket on Chassis	20—57	As req'd	
UFS.137/11R C.8667/3 FW.106/T	Screw, Set, securing Bracket to Chassis	20—58	8	
	Nut, Nyloc, on Bolts	20—59	8	
	Washer, Plain, under Nuts		8	
308065/05	FRONT COIL SPRING	20—60	2	
430581	RUBBER SEATING FOR FRONT COIL SPRING	20—61	4	

FRONT SUSPENSION

Part No.	Description	Plate No.	No. per Unit	Remarks
135939	FRONT COIL SPRING SEAT ASSEMBLY	20—62	2	
UFB.137/16R	Bolt , securing Seat Assembly to Lower Wishbone Arm	20—63	6	
C.8667/3	Nut , Nylor, on Bolts	20—64	6	
LIFS 137/8R	Screw , Set, securing Seat Assembly to Lower Wishbone Arm	20—65	4	
FG.106/X	Washer , Spring, on Setscrews	20—66	4	
431457	RUBBER BUMP STOP ASSEMBLY	20—67	2	
C.8667/3	Nut , Nylor, securing Bump Stop to Lower Wishbone Arm	20—68	2	
307445/11	FRONT SHOCK ABSORBER (AT.7/C)	20—69	2	
307445/01	Mounting Rubber (Top)	20—70	4	
307445/02	Washer , outer, for Mounting Rubbers	20—71	4	
307445/03	Washer , centre, for Mounting Rubbers	20—72	2	
307445/04	Distance Tube , for Mounting Rubbers	20—73	2	
307445/05	Nut , at top of Shock Absorbers	20—73	2	
307445/06	Mounting Rubber (Bottom)	20—74	4	
430671	BRACKET ASSEMBLY, MOUNTING FRONT SHOCK ABSORBER	20—75	2	
430672/2	Bracket , for Shock Absorbers	20—76	2	
430674	Screw , Set, securing Shock Absorber Fulcrums	20—77	2	
430675	Tab Washer , on Setscrews	20—78	2	
430726	REBOUND STOP	20—79	2	
C.8667/3	Nut , Nylor, securing Stop and Shock Absorber Bracket to Spring Seat Assembly	20—80	8	

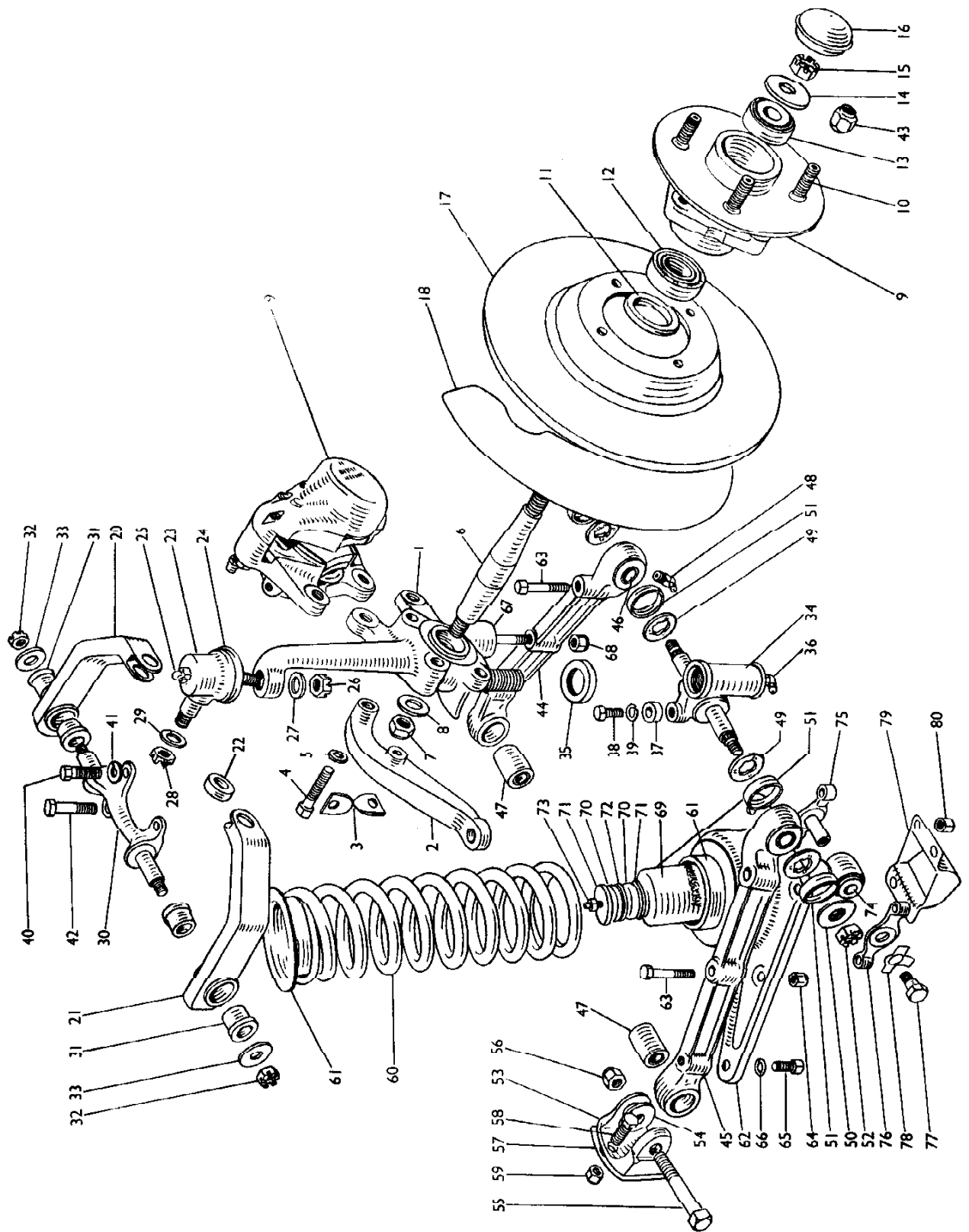


PLATE 20

ROAD WHEELS

Part No.	Description	Place No.	No. per Unit	Remarks
136198	DISC TYPE ROAD WHEEL (4½J. RIM x 15" DIAMETER)		5	
430650	Nut, securing Disc type Road Wheels to Hubs		16	
136201	WIRE SPOKE ROAD WHEEL		5	} SUPPLIED TO SPECIAL ORDER ONLY
136201/01	Long Spoke		100	
136201/02	Short Spoke		200	
136201/03	Nipple, for Spokes		300	
430575/01	TYRE FOR ROAD WHEEL (5.90 x 15")		5	
430575/02	TUBE FOR TYRES (5.90 x 15")		5	
136196	HAVE PLATE FOR DISC TYPE ROAD WHEELS		4	
	BALANCE WEIGHTS FOR ROAD WHEELS			
C.3985	Balance Weight (½ oz.)		As req'd	
C.3986	Balance Weight (1 oz.)		As req'd	
C.3987	Balance Weight (1½ ozs.)		As req'd	
C.3988	Balance Weight (2 ozs.)		As req'd	
C.3989	Balance Weight (2½ ozs.)		As req'd	
C.3990	Balance Weight (3 ozs.)		As req'd	
136269	WHEEL DISC ASSEMBLY (D TYPE) FOR DISC TYPE ROAD WHEELS		4	SUPPLIED TO SPECIAL ORDER ONLY

BRAKING SYSTEM

Part No.	Description	Plate No.	No. per Unit	Remarks
307755	HANDBRAKE ASSEMBLY	21—1	1	
307755/01	Ratchet (664/C/6024)	21—2	1	
307755/02	Fulcrum Pin (K.14379)	21—3	1	
307755/03	Pawl (446/C/4680)		1	
432558	BRACKET FOR HANDBRAKE ASSEMBLY		1	
UFS.137/BR	Screw, Set, securing Handbrake Assembly to Bracket		2	
FG.106/X	Washer, Spring, on Setscrews		2	
C.20817	Screw, Set, securing Handbrake Bracket to Chassis		2	
FG.106/X	Washer, Spring, on Setscrews		2	
308007/01	HANDBRAKE CABLE ASSEMBLY	21—4	1	
431325	Fork End, securing Cable to Handbrake Lever	21—5	1	
UFN.231/L	Locknut, securing Fork End to Cable		1	
FW.105/T	Washer, Packing, between Fork End and Handbrake Lever	21—6	2	
422531/17	Clevis Pin, securing Fork End to Handbrake Lever	21—7	1	
L.103/5U	Split Pin, retaining Clevis Pin		1	
FW.105/T	Washer, Plain, behind Split Pin	21—8	1	
308905	ABUTMENT BRACKET AT FRONT END OF HANDBRAKE CABLE	21—9	1	
UFS.131/5R	Screw, Set, securing Abutment Bracket to Chassis		2	
UFN.131/L	Nut, on Setscrews		2	
FG.105/X	Washer, Spring, under Nuts		2	
430902	THIMBLE AT HANDBRAKE CABLE FRONT ABUTMENT	21—10	1	
263226	SPRING SUPPORTING HANDBRAKE CABLE AT CENTRE	21—11	1	
428753	Clip, securing Spring to Cable	21—12	1	
UFS.119/3R	Screw, Set, securing Clip to Cable		1	
UFN.119/L	Nut, on Setscrew		1	
AG.102/X	Washer, Spring, under Nut		1	
430902	THIMBLE, AT HANDBRAKE CABLE REAR ABUTMENT	21—13	1	
422531/14	CLEVIS PIN CONNECTING HANDBRAKE CABLE TO BELL CRANK LEVER	21—14	1	
L.102/5U	Split Pin, retaining Clevis Pin		1	
FW.105/T	Washer, Plain, behind Split Pin	21—15	1	

BRAKING SYSTEM

Part No.	Description	Plate No.	No. per Unit	Remarks
431372	BRACKET MOUNTING BELL CRANK LEVER SWIVEL PIN ON REAR AXLE	21-16	1	
UCS.137/6R FG.106/X	Screw , Set, securing Bracket to Rear Axle Washer , Spring, on Setscrew		2 2	
431533	BELL CRANK LEVER SWIVEL ASSEMBLY	21-17	1	
0810/12	Bush , in Swivel		2	
UFN.337/L L.102/7U FW.106/T	Slotted Nut , securing Bell Crank Lever to Swivel Assembly Split Pin , retaining Slotted Nut Washer , Plain, under Slotted Nut	21-18 21-19	1 1 1	
426018	SWIVEL PIN ASSEMBLY	21-20	1	
UFN.350/L L.103/8U FW.106/T	Slotted Nut , securing Swivel Pin to Mounting Bracket Split Pin , retaining Slotted Nut Washer , Plain, under Slotted Nut	21-21 21-22	1 1 1	
308123	BELL CRANK LEVER ASSEMBLY	21-23	1	
0810/16	Bush , in Lever		1	
431248	RETURN SPRING FOR BELL CRANK LEVER	21-24	1	
431535	BRAKE ROD, FROM BELL CRANK LEVER TO R.H. REAR BRAKE CALIPER	21-25	1	
431534	BRAKE ROD FROM BELL CRANK LEVER TO L.H. REAR BRAKE CALIPER	21-26	1	
422531/03 L.102/5U FW.104/T	Clevis Pin , securing Brake Rod to Bell Crank Lever and Calipers Split Pin , retaining Clevis Pins Washer , Plain, behind Split Pins at Caliper ends of Brake Rod	21-27	4 4 2	
431334	BRAKE PEDAL ASSEMBLY	21-28	1	R.H. DRIVE[CARS]ONLY
1012/11	Bush , in Pedal	21-29	2	

BRAKING SYSTEM

Part No.	Description	Plate No.	No. per Unit	Remarks
431397	BRAKE PEDAL ASSEMBLY		1	L.H. DRIVE CARS ONLY
1012/11	Bush, in Pedal		2	
427000	RUBBER PAD ON BRAKE PEDAL	21—30	1	
413046	RETURN SPRING FOR BRAKE PEDAL	21—31	1	
136118	BRACKET MOUNTING BRAKE AND CLUTCH PEDAL	21—32	1	
UFS.125/6R	Screw, Set, for adjustment of Pedal		1	
UFN.225/L	Locknut, securing adjusting screw		1	
90018/06	Screw, Set, securing Bracket to Dash		2	
UFS.125/6R	Screw, Set, securing Bracket to Dash		4	
C.8667/2	Nut, Nyloc, on setscrews		4	
51/637052	Washer, Plain, under Nuts		4	
430635	FULCRUM SHAFT FOR BRAKE AND CLUTCH PEDALS	21—33	1	
L.104/6U	Split Pin, retaining Fulcrum Shaft in Pedal Mounting Bracket		2	
FW.110/T	Washer, Plain, behind Split Pin	21—34	2	
430637	Spacer, between Brake and Clutch Pedals	21—35	1	
432505	DISTANCE PIECE ON FULCRUM SHAFT		1	REQUIRED ONLY WHEN AUTOMATIC TRANSMISSION IS FITTED (REPLACES REDUNDANT CLUTCH PEDAL)
300260	BRAKE MASTER CYLINDER AND FLUID RESERVOIR ASSEMBLY (64067613)	21—36	1	
308260/02	Master Cylinder Assembly (64067707)		1	
308260/01	Brake Fluid Reservoir Assembly (64673287)		1	
308260/05	Adaptor, for Fluid Reservoir (64473140)		1	
308260/06	Gasket, between Reservoir and Adaptor (378732)		1	
425145	Gasket, between Master Cylinder and Adaptor (378700)		1	
305167/02	Nut, securing Reservoir to Adaptor (H.4032)		1	
303996/06	Washer, under Nut (45-BS-5)		1	
308260/01	BRAKE FLUID RESERVOIR ASSEMBLY (64673287)	21—37	1	
308048/01	Filler Cap (378434)		1	
305167/03	Gasket, for Filler Cap (362920)		1	
308260/04	Filter (64473410)		1	
430934	JAW, CONNECTING MASTER CYLINDER TO BRAKE PEDAL	21—38	1	R.H. DRIVE CARS ONLY

BRAKING SYSTEM

Part No.	Description	Plate No.	No. per Unit	Remarks
431027	JAW, CONNECTING MASTER CYLINDER TO BRAKE PEDAL		1	L.H. DRIVE CARS ONLY
UFN.231/L	Locknut, securing Jaw to Master Cylinder	21—39	1	
422531/16	Clevis Pin, securing Jaw to Pedal	21—40	1	R.H. DRIVE CARS ONLY
422531/25	Clevis Pin, securing Jaw to Pedal		1	L.H. DRIVE CARS ONLY
L.103/5U	Split Pin, retaining Clevis Pin		1	
FW.105/T	Washer, Plain, behind Split Pin	21—41	1	
307973	DISTANCE PIECE, BETWEEN BRAKE AND CLUTCH MASTER CYLINDERS AND DASH	21—42	1	
UFB.131/24R	Bolt, securing Master Cylinder and Distance Piece to Dash	21—43	2	
C.8667/2	Nut, Nyloc, on Bolts	21—44	2	
432506	BLANKING PLATE FOR DISTANCE PIECE		1	} REQUIRED WHEN AUTOMATIC TRANSMISSION IS FITTED
UFB.131/22R	Bolt, securing Blanking Plate and Distance Piece		2	
UFN.131/L	Nut, on Bolts		2	
136161	PIPE ASSEMBLY FROM MASTER CYLINDER TO RESTRICTOR VALVE	21—45	1	R.H. DRIVE CARS ONLY
136162	PIPE ASSEMBLY FROM MASTER CYLINDER TO RESTRICTOR VALVE		1	L.H. DRIVE CARS ONLY
276330/2	Clip, securing Brake and Clutch Pipes to Dash		3	} L.H. DRIVE CARS ONLY
423196/43	Screw, Self-Tapping, securing Clips		3	
308040	RESTRICTOR VALVE ASSEMBLY, IN 5-WAY ADAPTOR (3011060W)	21—46	1	
431441	Gasket, between Restrictor Valve and 5-way Adaptor (378711W)	21—47	1	
431436	5-WAY ADAPTOR (353811W)	21—48	1	
431504	Distance Piece, between 5-way Adaptor and Chassis	21—49	1	
UFB.125/11R	Bolt, securing 5-way Adaptor to Chassis		1	
FG.104/X	Washer, Spring, on Bolt		1	
431723	STOP LIGHT OPERATING SWITCH IN 5-WAY ADAPTOR (64067766)		1	

BRAKING SYSTEM

Part No.	Description	Plate No.	No. per Unit	Remarks
136163	PIPE ASSEMBLY FROM 5-WAY ADAPTOR TO L.H. FRONT BRAKE HOSE	21—50	1	
136164	PIPE ASSEMBLY FROM 5-WAY ADAPTOR TO R.H. FRONT BRAKE HOSE	21—51	1	
276330/2	Clip, securing Pipes to Chassis		2	
425456	Clip, securing Pipes to Chassis		3	
423196/43	Screw, Self-Tapping, securing Clips		5	
308042	FRONT BRAKE FLEXIBLE HOSE (3700822W)	21—52	2	
426751	Nut, securing Flexible Hose to Front Hose Brackets (10233)		4	
425163	Washer, Shakeproof, under Nuts (74330)		4	
432674	PIPE ASSEMBLY FROM FLEXIBLE HOSE TO L.H. FRONT CALIPER (64473871)	21—53	1	
432675	PIPE ASSEMBLY FROM FLEXIBLE HOSE TO R.H. FRONT CALIPER (64473872)	21—54	1	
136165	PIPE ASSEMBLY FROM 5-WAY ADAPTOR TO REAR HOSE (64473360)	21—55	1	
425456	Clip, securing Pipe to Chassis		5	
423196/43	Screw, Self-Tapping, securing Clips		5	
305169	REAR BRAKE FLEXIBLE HOSE FROM PIPE ASSEMBLY TO 3-WAY ADAPTOR (3700625W)	21—56	1	
426751	Nut, securing Hose to Bracket	21—57	1	
426163	Washer, Shakeproof, under Nut	21—58	1	
431441	Gasket, between Hose and 3-way Adaptor (378711)	21—59	1	
431442	3-WAY ADAPTOR (353231W)	21—60	1	
UFB.125/10R	Bolt, securing 3-way Adaptor to Swivel Bracket on Rear Axle		1	
C.8667/2	Nut, Nylon, on Bolt		1	

BRAKING SYSTEM

Part No.	Description	Plate No.	No. per Unit	Remarks
136166	PIPE ASSEMBLY, FROM 3-WAY ADAPTOR TO L.H. REAR CALIPER (64473380)	21—61	1	
276300/3 302454/36	Clip, securing Pipe to Rear Axle Banjo Clip, securing Pipe to Rear Axle		1 1	
136167	PIPE ASSEMBLY, FROM 3-WAY ADAPTOR TO R.H. REAR CALIPER (64473379)	21—62	1	
302454/31	Clip, securing Pipe to Rear Axle		1	
308260/02	BRAKE MASTER CYLINDER ASSEMBLY (64067707)		1	
308048/04 308048/02 7352	Spring, returning Plunger (64673425) Push Rod. (350527) Washer, returning Push Rod (378230)	22—63 22—64 22—65	1 1 1	
308260/07	BRAKE MASTER CYLINDER REPAIR KIT (SP.2095)	22 66	1	
	Comprising:—			
	Valve Seal Plunger Seal Gasket, for Reservoir Filler Cap Dust Cover Circlip Washer, for Valve Spring Tube of Grease			
136157	L.H. FRONT BRAKE CALIPER ASSEMBLY (64032500 C.V.)		1	
136158	R.H. FRONT BRAKE CALIPER ASSEMBLY (64032501 C.V.)		1	
136157/01 136157/02 136157/03 136157/04 134617/05	Pad Assembly (64325013 CV) Retaining Pin (64325022) Clip, for Retaining Pin (64325009) Bleed Screw, (377687W) Dust Cap, on Bleed Screw (363400)	22—67 22—68 22—69 22—70 22—71	4 4 4 2 2	
136157/05	FRONT CALIPER REPAIR KIT (SP.2501)	22—72	1	
	Comprising:—			
	Cylinder Sealing Ring Dust Cover			

BRAKING SYSTEM

Part No.	Description	Plate No.	No. per Unit	Remarks
10130	FRICTION PAD KIT FOR FRONT CALIPER (64325424 D.T.)		1	
136204	L.H. REAR BRAKE CALIPER ASSEMBLY (64032522. XA)		1	
136203	R.H. REAR BRAKE CALIPER ASSEMBLY (64032523. XA)		1	
136203/01	Pad Assembly (64325056 CV)	22-73	4	
136157/02	Retaining Pin (64325022)	22-74	4	
136157/03	Clip, for Retaining Pin (64325009)	22-75	4	
136157/04	Bleed Screw (377687W)	22-76	2	
134617/05	Dust Cap, on Bleed Screw (363400)	22-77	2	
136204/01	Handbrake Pad Assembly L.H. (64325568 EE)	22-78	2	
136203/02	Handbrake Pad Assembly, R.H. (64325569 EE)	22-78A	2	
136203/03	Clamping Lever (Short) (64325196)	22-79	2	
136203/04	Clamping Lever (Long) (64325195)	22-80	2	
136203/05	Operating Lever Assembly (64325410)	22-81	2	
136203/07	Pivot Pin, for Clamping Lever (64325194)	22-82	4	
136203/08	Pivot Pin, for Operating Lever (64325211)	22-83	2	
FW.105/T	Washer, on Operating Lever Pivot Pin (45-RS-2)	22-84	4	
136203/09	Tie Rod, for Handbrake Lever (64325197)	22-85	2	
136203/10	Spring, on Tie Rod (64325198)	22-86	2	
FW.105/T	Washer, on Tie Rod (45-BS-2)	22-87	2	
136203/11	Adjuster Nut, for Handbrake (64325201)	22-88	2	
136203/12	Locking Spring, for Adjuster Nut (64325200)	22-89	2	
136203/06	REAR CALIPER REPAIR KIT (SP.2505)		1	
	Comprising:— Cylinder Sealing Ring Dust Cover			
136203/13	FRICTION PAD KIT FOR HANDBRAKE (64932004 EE)		1	
10131	FRICTION PAD KIT FOR REAR CALIPER (64325422 D.T.)		1	

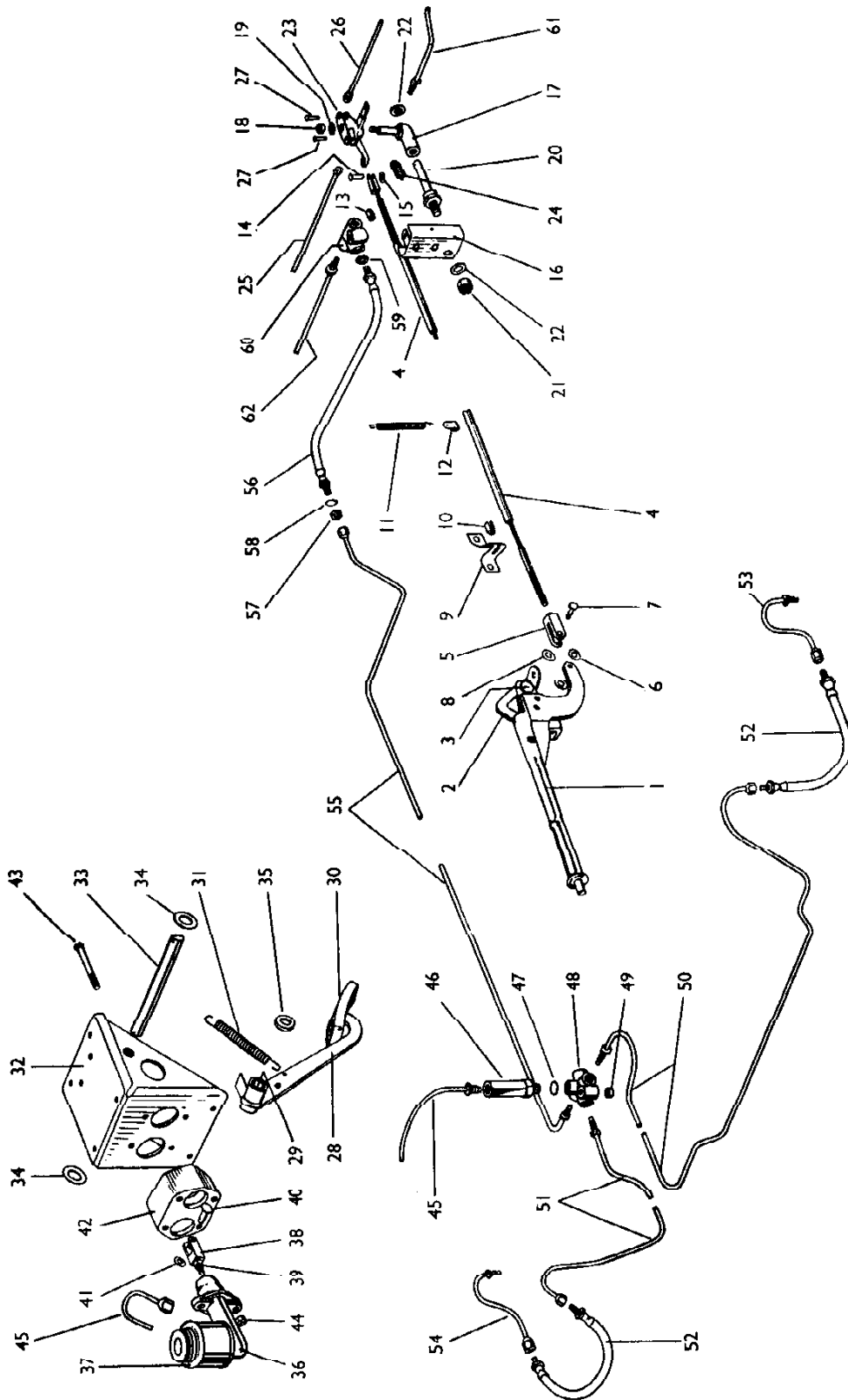


PLATE 21

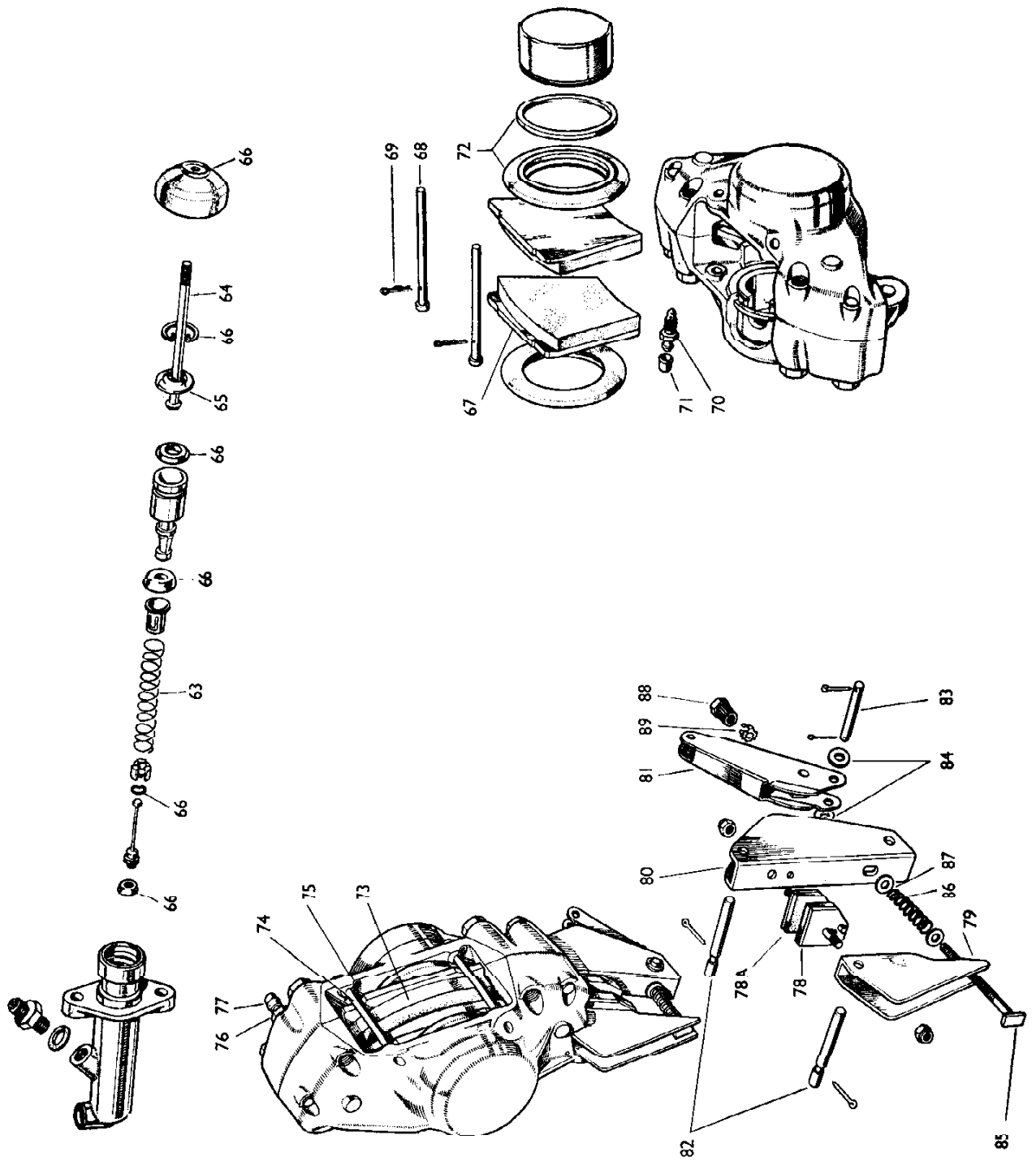


PLATE 22

STEERING UNIT AND CONTROLS

Part No.	Description	Plate No.	No. per Unit	Remarks
135932	STEERING COLUMN CONTROL ASSEMBLY (33549)	23-1	1	
135932/01	Top Cover Assembly (54300363)	23-2	1	
135932/02	Horn Push (54300354)		1	
135932/03	Retaining Ring for Horn Push (324366)		1	
133055/03	Spring, for Horn Push (322093)		1	
2842	Contact, for Horn Push (321824)		1	
135246/03	Lever, for Direction Indicator Switch (324992)	23-3	1	
2866	Base, for Direction Indicator Switch (323438)		1	
2843	Plunger, for Rotor (322150)		1	
2877	Cam Assembly (324527)		1	
135932/05	Stator Tube and Plate (54300006)	23-4	1	
426383	Spring, on Stator Tube (324072/D)	23-5	3	
135932/06	Cable (54940043)		1	
135990	STEERING WHEEL	23-6	1	
427234	Nut, securing Steering Wheel	23-7	1	
427235	Washer, Plain, under Nut	23-8	1	
405066	Striker Plate, for Trafficator Switch	23-9	1	
136057	STEERING BOX ASSEMBLY COMPLETE WITH OUTER COLUMN (Z.1385)		1	R.H. DRIVE CARS ONLY
136057/01	Steering Box (complete with Trunnion Bush and Oil Seal) (37871)	23-10	1	
135217/04	Bush (Felt) in top of Outer Column (16157)	23-12	1	
136058/02	Oil Plug (Rubber) in Outer Column (15776)	23-13	1	
136057/02	Inner Column and Worm, (complete with Oil Seals) (37760)	23-14	1	
135217/06	Inner Race, for Inner Column Worm (7712)	23-16	2	
135217/07	Outer Race, for Inner Column Worm (8527)	23-17	2	
133502/20	End Plate, for Steering Box (17312)	23-18	1	
133502/23	Gasket, under End Plate (9420)	23-19	1	
133502/24	Shim (.0024" thick) under End Plate, for adjustment of Worm End Float (8224)	23-20	As req'd	
133502/25	Shim (.005" thick) under End Plate, for adjustment of Worm End Float (9418)	23-20	As req'd	
133502/26	Shim (.010" thick) under End Plate, for adjustment of Worm End Float (9419)	23-20	As req'd	
UFB.131/5R	Bolt, securing End Plate (6448U)	23-21	4	
FG.105/X	Washer, Spring, on Bolts (6385)	23-22	4	
136058/05	Olive, on Stator Tube	23-23	1	
133502/21	Union Nut, securing Stator Tube at End Plate	23-24	1	
136058/06	Rocker Shaft Assembly (2/278U)	23-25	1	
136057/03	Cover Plate, at bottom of Steering Box (7787)	23-26	1	
136058/08	Screw, in Cover Plate, for adjustment of Rocker Shaft (16983)	23-27	1	
135217/15	Locknut, on adjusting screw (12756)	23-28	1	
136058/11	Gasket, under Cover Plate (10732)	23-31	1	
UFB.131/5R	Bolt, securing Cover Plate (6448U)	23-32	3	
	Washer, Spring, on Bolts	23-33	3	
307775	Drop Arm, on Rocker shaft (18423)	23-34	1	
136058/12	Nut, securing Drop Arm (16146 U)	23-35	1	
136058/11	Lockwasher, securing Nut, (14506)	23-36	1	
136058	STEERING BOX ASSEMBLY, COMPLETE WITH OUTER COLUMN (Z.1384)		1	L.H. DRIVE CARS ONLY
136058/01	Steering Box (complete with Trunnion Bush and Oil Seal) (37875)		1	

STEERING UNIT AND CONTROLS

Part No.	Description	Plate No.	No. per Unit	Remarks
STEERING BOX ASSEMBLY (Cont.)				
136058/03	Inner Column and Worm (complete with Oil Seals) (37761)		1	
308193	Drop Arm, on Rockershaft		1	
All other items are as for Steering Box Assembly Part No. 136057				
136057/01	STEERING BOX (COMPLETE WITH TRUNNION BUSH AND OIL SEAL) (37871)	23—10	1	R.H. DRIVE CARS ONLY
135217/02	Trunnion Bush (8129)		1	
135217/03	Oil Seal (15535)	23—11	1	
136058/01	STEERING BOX (COMPLETE WITH TRUNNION BUSH AND OIL SEAL) (37875)		1	L.H. DRIVE CARS ONLY
135217/02	Trunnion Bush (8129)		1	
135217/03	Oil Seal (15535)		1	
136057/02	INNER COLUMN AND WORM (COMPLETE WITH OIL SEALS) (37760)	23—14	1	R.H. DRIVE CARS ONLY
136058/04	Oil Seal (Rubber) (8648)	23—15	2	
136058/03	INNER COLUMN AND WORM (COMPLETE WITH OIL SEALS) (37761)		1	L.H. DRIVE CARS ONLY
136058/04	Oil Seal (Rubber) (8648)		2	
432204	Oil Filler Nipple, in Steering Box (Tec. N.6625)		1	
432202	Tag Cover, for Nipple		1	
431154	BRACKET ASSEMBLY, MOUNTING IDLER LEVER	23—37	1	
431606	Grease Nipple, in Bracket	23—38	1	
UFB.137/52R	Bolt, securing Bracket to Chassis		2	
C.8667/3	Nut, Nyloc, on Bolts		2	
431153	IDLER LEVER ASSEMBLY	23—39	1	
431605	Grease Seal, between Lever and Bracket	23—40	1	

STEERING UNIT AND CONTROLS

Part No.	Description	Plate No.	No. per Unit	Remarks
307782	CENTRE TIE ROD ASSEMBLY	23—41	1	
136054	Centre Tie Rod	23—42	1	
431400	Bush Assembly (Silentbloc)	23—43	2	
FW.106/T	Washer , Plain, under Nuts	23—44	2	
308198/01	Nut , Nyloc, securing Tie Rod to Idler Lever and Drop Arm	23—45	2	
308022	R.H. OUTER TIE ROD ASSEMBLY	23—46	1	
431600	Outer Tie Rod R.H.	23—47	1	
431601	Locknut (right-hand thread) securing Inner Ball Joint Assembly	23—48	1	
431602	Locknut (left-hand thread) securing Outer Ball Joint Assembly	23—49	1	
308199	Inner Ball Joint Assembly (right-hand thread)	23—50	1	
308201	Outer Ball Joint Assembly (left-hand thread)	23—51	1	
308199	INNER BALL JOINT ASSEMBLY FOR R.H. OUTER TIE ROD		1	
431592	Gaiter , for Ball Joint	23—52	1	
431603	Retainer , inside Gaiter		1	
C.9048	Grease Nipple , for Ball Joint	23—53	1	
308198/01	Nut , Nyloc, on Ball Joint	23—54	1	
FW.106/T	Washer , Plain, under Nut	23—55	1	
308201	OUTER BALL JOINT ASSEMBLY FOR R.H. OUTER TIE ROD		1	
	Individual items are as for Inner Ball Joint Assembly 308199			
308023	L.H. OUTER TIE ROD ASSEMBLY	23—56	1	
431600	Outer Tie Rod L.H.	23—57	1	
431601	Locknut , (right-hand thread) securing Inner Ball Joint Assembly	23—58	1	
431602	Locknut , (left-hand thread) securing Outer Ball Joint Assembly	23—59	1	
308198	Inner Ball Joint Assembly (right-hand thread)	23—60	1	
308200	Outer Ball Joint Assembly (left-hand thread)	23—61	1	
308198	INNER BALL JOINT ASSEMBLY FOR L.H. OUTER TIE ROD		1	
431592	Gaiter , for Ball Joint	23—62	1	
431603	Retainer , inside Gaiter		1	
C.9048	Grease Nipple , for Ball Joint	23—63	1	
308198/01	Nut , Nyloc, on Ball Joint		1	
FW.106/T	Washer , Plain, under Nut		1	
308200	OUTER BALL JOINT ASSEMBLY FOR L.H. OUTER TIE ROD		1	
	Individual items are as for Inner Ball Joint Assembly 308198			

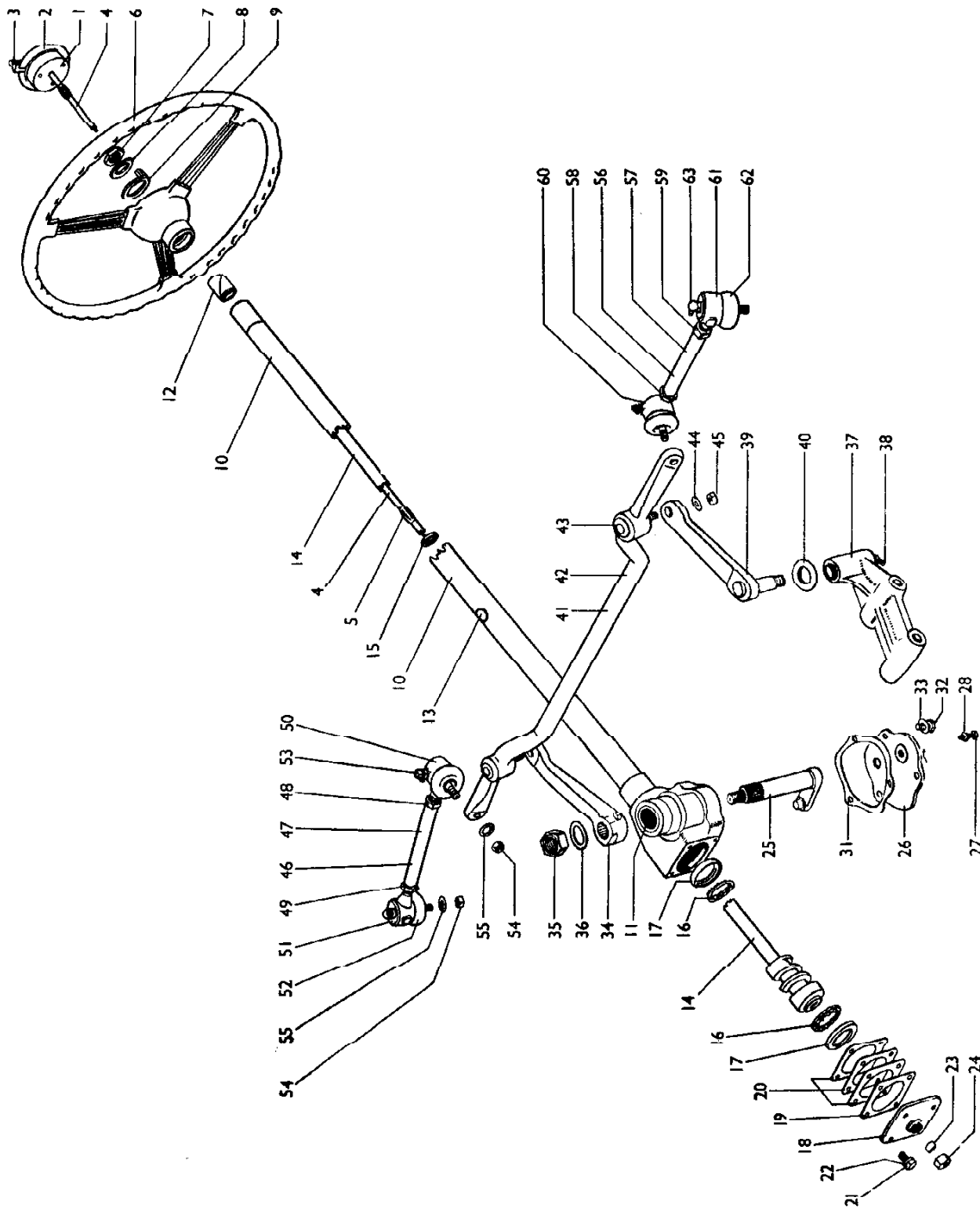
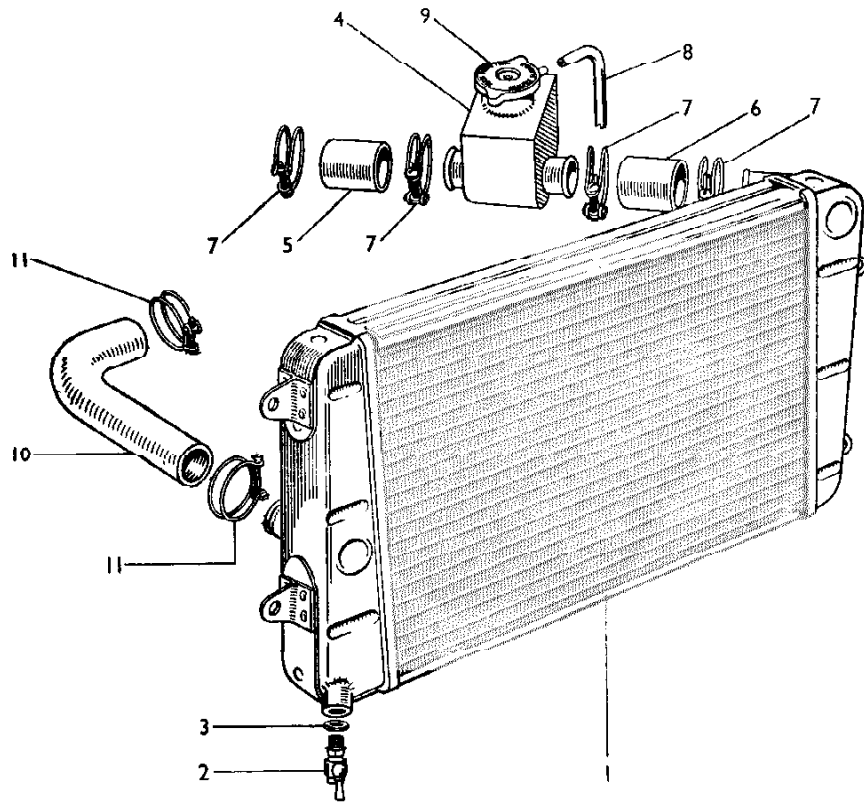


PLATE 23

COOLING SYSTEM

Part No.	Description	Plate No.	No. per Unit	Remarks
135931	RADIATOR BLOCK ASSEMBLY	24-1	1	
UFB.131/6R FG.105/X FW.105/T	Bolt, securing Radiator Block Washer, Spring, on Bolts Washer, Plain, under Spring Washers		4 4 4	
422505/11	DRAIN TAP, FOR RADIATOR BLOCK	24-2	1	
424775	Copper Washer, on Drain Tap	24-3	1	
307980	HEADER TANK ASSEMBLY	24-4	1	
431362	HOSE, FROM HEADER TANK TO WATER OUTLET PIPE	24-5	1	
431363	HOSE, FROM RADIATOR BLOCK TO HEADER TANK	24-6	1	
423176/23	Clip, securing Hoses	24-7	4	
431361	OVERFLOW PIPE ON HEADER TANK	24-8	1	
428753 425286/17	Clip, securing Overflow Pipe to Valance Screw, securing Clip		1 1	
308272	FILLER CAP ON HEADER TANK (1571515)	24-9	1	
307983	HOSE, FROM WATER PUMP TO BOTTOM OF RADIATOR BLOCK	24-10	1	
423176/23	Clip, securing Hose to Water Pump and Radiator Block	24-11	2	



EXHAUST SYSTEM

Part No.	Description	Plate No.	No. per Unit	Remarks
136169	R.H. EXHAUST DOWN PIPE ASSEMBLY	25—1	1	
431447	Flexible Pipe, on Down Pipe		1	
136170	L.H. EXHAUST DOWN PIPE ASSEMBLY	25—2	1	
431447	Flexible Pipe, on Down Pipe		1	
422468	Gasket, between Down Pipes and Exhaust Manifolds	25—3	2	
UFB.131/10R	Bolt, securing Down Pipes to Exhaust Manifolds	25—4	6	
422512/06	Nut, Self-Locking, on Bolts		6	
431094	Clip, securing Balance Pipe to Down Pipes	25—5	2	
UFB.131/6R	Bolt, securing Clip	25—6	2	
422512/06	Nut, Self-Locking, on Bolts	25—7	2	
308053	EXHAUST BALANCE PIPE ASSEMBLY	25—8	1	NOT REQUIRED WHEN AUTOMATIC TRANSMISSION IS FITTED
308320	EXHAUST BALANCE PIPE ASSEMBLY		1	REQUIRED WHEN AUTOMATIC TRANSMISSION IS FITTED
308064	EXHAUST SILENCER ASSEMBLY	25—9	2	
431346	Clip Assembly, securing Silencer to Balance Pipe	25—10	2	
431347	Clip Assembly, securing Silencer to Tail Pipe Assembly	25—11	2	
UFB.131/8R	Bolt, securing Clips	25—12	2	
422512/06	Nut, Self-Locking on Bolts		2	
431100	Packing Piece		2	
431339	Support Rubber Assembly, securing Clip Assemblies to Support Plates	25—13	8	FOR USE WITH PT. NO. 431347
UFN.131/L	Nut, securing Support Rubbers	25—14	16	
906083	Palnut, behind Nuts		16	
307884	Support Plate, for Clip Assemblies	25—15	4	
UFS.131/6R	Screw, Set, securing Support Plate to Chassis	25—16	8	
FG.105/X	Washer, Spring, under Nuts	25—17	4	
422512/05	Nut, on Setscrews at outer ends of Support Plates	25—18	4	
FW.105/T	Washer, Plain, under Spring Washers		4	
136174	R.H. EXHAUST TAIL PIPE ASSEMBLY	25—19	1	
136175	L.H. EXHAUST TAIL PIPE ASSEMBLY	25—20	1	
431461	EXHAUST TAIL PIPE HANGER BRACKET	25—21	2	
425188	Rubber Bush, on Bolts at each side of Brackets	25—22	4	
425187	Retaining Washer, for Outer Bushes	25—23	2	
425189	Distance Tube, through Bushes and Brackets	25—24	2	
UFB.137/14R	Bolt, securing Brackets to Chassis	25—25	2	
FG.106/X	Washer, Spring, on Bolts	25—26	2	
423656	'U' Bolt, securing Tail Pipe Assemblies to Hanger Brackets	25—27	2	
422512/05	Nut, on 'U' Bolts		4	

EXHAUST SYSTEM

Part No.	Description	Plate No.	No. per Unit	Remarks
81/634364	HEAT SHIELD (ASBESTOS) AT FRONT OF EXHAUST SILENCERS		2	
81/644365	COVER PLATE, FOR HEAT SHIELDS		2	
81/634363	HEAT SHIELD (ASBESTOS) AT REAR OF EXHAUST SILENCERS		2	
81/644366	COVER PLATE FOR HEAT SHIELDS		2	
423195/38	Screw, Set, securing Heat Shields and Cover Plates		16	
423199/2	Washer, Plain, on Setscrews		16	

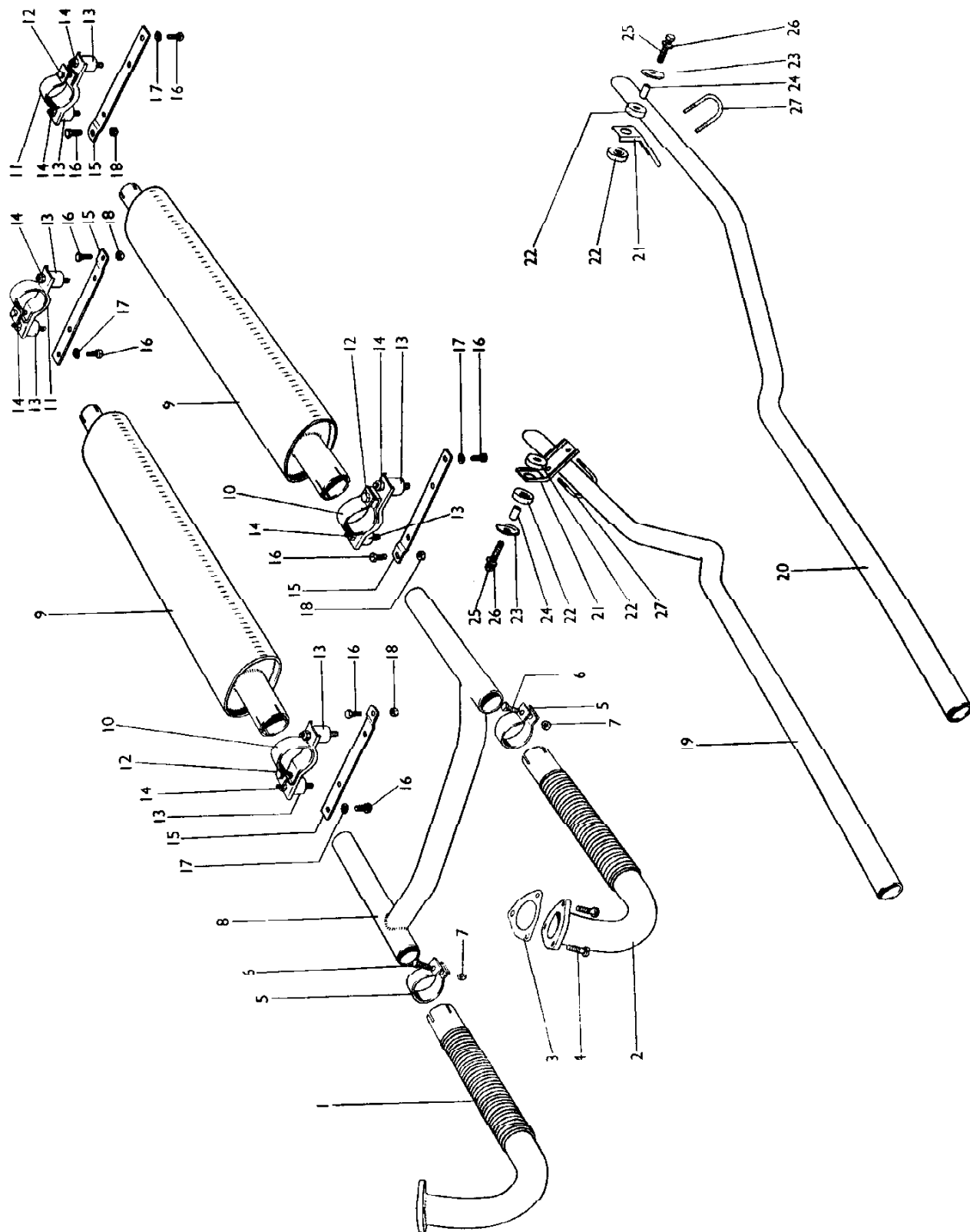


PLATE 25

FUEL SYSTEM

Part No.	Description	Place No.	No. per Unit	Remarks
136116	PETROL TANK ASSEMBLY	26—1	1	
426867	Drain Plug , in Petrol Tank	26—2	1	
432530/04	Copper, Washer , on Drain Plug	26—3	1	
307987	PETROL TANK FEED PIPE ASSEMBLY	26—4	1	
431352	Gasket , under Flange of Feed Pipe Assembly	26—5	1	
426934/25	Screw , securing Feed Pipe Assembly to Petrol Tank		2	
431497	Washer, Fibre , on Screws		2	
425599	FILLER CAP	26—6	1	
431357	FILLER NECK FOR PETROL TANK	26—7	1	
425610	Sealing Washer , for Filler Neck		1	
419522	Grommet , in Body for Filler Neck	26—8	1	
431359	HOSE CONNECTING FILLER NECK TO PETROL TANK	26—10	1	
423176/30	Clip , securing Hose to Filler Neck and Petrol Tank		2	
81/634105	STRAP (TOP) SECURING PETROL TANK TO BODY		2	
81/632272	STRAP (REAR) SECURING PETROL TANK TO BODY		2	
UFS.131/7R	Screw , Set, securing Top Strap to Rear Strap		2	
C.8667/2	Nut , on Setscrews		2	
11405/04	Bolt , securing Petrol Tank Straps to Body		4	
C.725	Washer, Shakeproof , on Bolts		4	
307994	PETROL TANK ELECTRIC ELEMENT UNIT (FT.5301/05)		1	
307994/01	Gasket , under Element Unit		1	
426934/22	Screw , securing Element Unit to Petrol Tank		6	
431467	HOSE ASSEMBLY FROM PETROL TANK FEED PIPE TO PETROL PUMP	26—11	1	
302454/3	Clip , securing Hose to Feed Pipe		1	
432278	Grommet , in Body, for Hose	26—12	1	

FUEL SYSTEM

Part No.	Description	Plate No.	No. per Unit	Remarks
C.9688/1	PETROL PUMP (AUA 52)	26-13	1	1st CONDITION
C.18336	PETROL PUMP (AUA 152)	26-13	1	2nd CONDITION
C.20576	PETROL PUMP (AUB 152)	26-13	1	3rd CONDITION
308165	BRACKET MOUNTING PETROL PUMP	26-14	1	
UFS.131/6R FG.105/X	Screw, Set, securing Bracket to Body Washer, Spring, on Setscrews		2 2	
422284	Grommet, in Bracket	26-15	2	
431480	Distance Tube, in Grommets	26-16	2	
431481	Washer, Plain, at each side of Grommets	26-17	4	
900155	Bolt, securing Petrol Pump to Bracket	26-18	2	
FG.105/X	Washer, Spring, on Bolts	26-19	2	
431466	FLEXIBLE PIPE ASSEMBLY FROM PETROL PUMP TO REAR PIPE ASSEMBLY	26-20	1	
432278	Grommet, in Body for Flexible Pipe	26-21	2	
302454/3	Clip, securing Flexible Pipe to Rear Petrol Pipe Assembly		1	
308068	PETROL PIPE ASSEMBLY FROM REAR FLEXIBLE PIPE TO PETROL FILTER	26-22	1	} SUPERSEDED BY LATER CONDITION SEE BELOW
276302/8	Clip, securing Pipe to Chassis	26-23	7	
423196/43	Screw, securing Clip		7	
414273	Clip, securing Flexible Pipe to Shield	26-24	1	
426934/35	Screw, securing Clip		1	
UPN.119/L	Nut, on Screw		1	
AG.102/X	Washer, Spring, under Nut		1	
405402	Grommet, in Valance for Flexible Pipe	26-25	1	
414273	Clip, securing Flexible Pipe to Valance	26-26	1	
425286/17	Screw, securing Clip		1	
422787	Union, connecting Petrol Pipe to Petrol Filter	26-27	1	
309216	REAR PETROL PIPE ASSEMBLY		1	} SUPERSEDES EARLIER CONDITION
276302/8	Clip, securing Pipe to Chassis		7	
423196/43	Screw, securing Clips		7	
136686	FRONT PETROL PIPE ASSEMBLY		1	} SUPERSEDES EARLIER CONDITION
432278	Grommet, in Valance for Pipe		1	
276302/8	Clip, securing Pipe to Heat Shield		1	
426934/35	Screw, securing Clip		1	
426935/4	Nut, on Screw		1	
FG.103/X	Washer, Spring, under Nut		1	

FUEL SYSTEM

Part No.	Description	Plate No.	No. per Unit	Remarks
307988	PETROL FILTER ASSEMBLY (7950290)	26—28	1	
307988/01	Body , for Filter (7950289)	26—29	1	
133007/13	Gasket , between Glass Bowl and Filter Body (5593321)	26—30	1	
133007/14	Gauze , for Filter (1524849)	26—31	1	
307988/02	Sealing Ring for 'ON/OFF' Valve (1524845)		1	
133007/12	Glass Bowl , (1523620)	26—32	1	
133007/11	Retainer Assembly , for Glass Bowl (5592050)	26—33	1	
90018/06	Screw , Set, securing Filter Assembly to Valance		2	
432974/02	PETROL PIPE FROM FILTER TO CARBURETTERS	26—34	1	} 1st CONDITION
431476	Union , securing Petrol Pipe to Filter		1	
C.20317/02	PETROL PIPE ASSEMBLY FROM FILTER TO CARBURETTERS		1	} 2nd CONDITION
C.20295	Olive , on Pipe		2	
C.20294	Union Nut , securing Pipe to Filter and Carburetters		2	

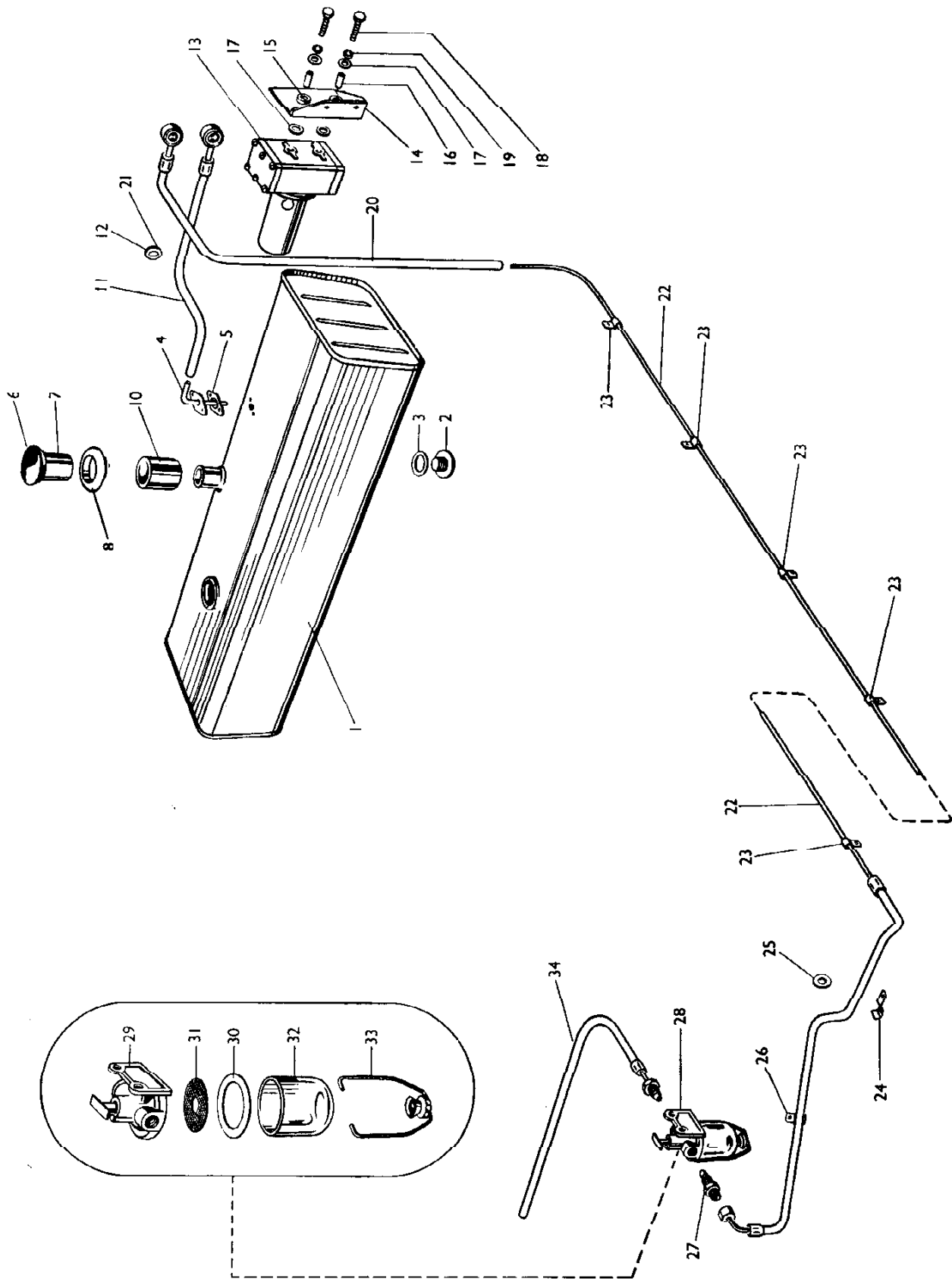


PLATE 26

CHASSIS

Part No.	Description	Plate No.	No. per Unit	Remarks
26266	CHASSIS FRAME ASSEMBLY	27—1	1	
307773	CLAMPING BRACKET FOR STEERING COLUMN AND UNIT	27—2	1	
UFB.137/52R C.8667/3 UFB.137/22R C.8667/3	Bolt , clamping Steering Column Nut , Nyloc, on Bolt Bolt , securing Bracket to Chassis Nut , Nyloc, on Bolts		1 1 2 2	
136051	BRACING MEMBER FOR FRONT OF CHASSIS FRAME	27—3	1	
UFS.137/BR FG.106/X	Screw , Set, securing Member to Chassis Washer , Spring, on Setscrews		4 4	
307598	ENGINE FRONT SUPPORT BRACKET	27—4	2	
307129	ENGINE MOUNTING RUBBER (METALASTIK)	27—5	2	
307578	FRONT SUSPENSION REBOUND STOP BRACKET	27—6	2	
UFS.137/7R FG.106/X	Screw , Set, securing Brackets to Chassis Washer , Spring, on Setscrews		6 6	
431458	RUBBER REBOUND STOP ASSEMBLY	27—7	2	
C.8667/3	Nut , Nyloc, securing Rebound Stops to Chassis		2	
308125	R.H. MUDSHIELD	27—8	1	
308126	L.H. MUDSHIELD	27—9	1	
308127	PETROL PIPE SHIELD		1	
423196/43	Screw , Self-Tapping securing Shields		8	
136200	GEARBOX SUPPORT BRACKET	27—10	1	
UFS.131/7R C.8667/2 FYY.105/T	Screw , Set, securing Bracket to Chassis Nut , Nyloc, on Bolts Washer , Plain, under Nuts		4 4 4	

CHASSIS

Part No.	Description	Plate No.	No. per Unit	Remarks
307497	GEARBOX MOUNTING RUBBER	27-11	2	
C.8667/2	Nut, securing Mounting Rubber to Bracket		2	
UCS.131/5R FG.105/X	Screw, Set, securing Mounting Rubber to Gearbox Washer, Spring, on Setscrews		4 4	NOT REQUIRED WHEN AUTOMATIC TRANSMISSION IS FITTED
308968	REAR AXLE CHECK STRAP ASSEMBLY	27-12	2	
UFS.137/6R FG.106/X	Screw, Set, securing Check Strap to Chassis Washer, Spring, on Setscrews		4 4	
430521/05	REAR ROAD SPRING	27-13	2	
430531	Main Leaf Assembly		2	
430531	MAIN LEAF ASSEMBLY	27-14	2	
430532	Bush, in Main Leaf	27-15	4	
431322	Bottom Plate, for R.H. Rear Spring		1	
431323	Bottom Plate, for L.H. Rear Spring	27-16	1	
431320	'U' Bolt, securing Rear Road Springs to Rear Axle	27-17	4	
C.8667/4	Nut, Nyloc, on 'U' Bolts		8	
431313	Bolt, securing rear end of Springs to Shackle	27-18	2	
C.8667/7	Nut, Nyloc, on Bolts		2	
FW.110/T	Washer, Plain, under Nuts		2	
431314	REAR ROAD SPRING SHACKLE ASSEMBLY	27-19	2	
430701	Bush, in Shackle	27-20	2	
UFB.150/30R C.8667/5	Bolt, securing Shackles to Chassis Nut, Nyloc, on Bolts	27-21	4 4	
307641/01	R.H. REAR SHOCK ABSORBER	27-22	1	
307642/01	L.H. REAR SHOCK ABSORBER		1	
UFB.143/11R C.8667/4	Bolt, securing Shock Absorbers to Chassis Nut, Nyloc, on Bolts		4 4	
307641/02	LINK, CONNECTING SHOCK ABSORBER TO BOTTOM PLATE ON ROAD SPRING	27-23	2	
C.8667/4	Nut, securing Link to Shock Absorber		2	
C.8667/5	Nut, securing Link to Bottom Plate		2	

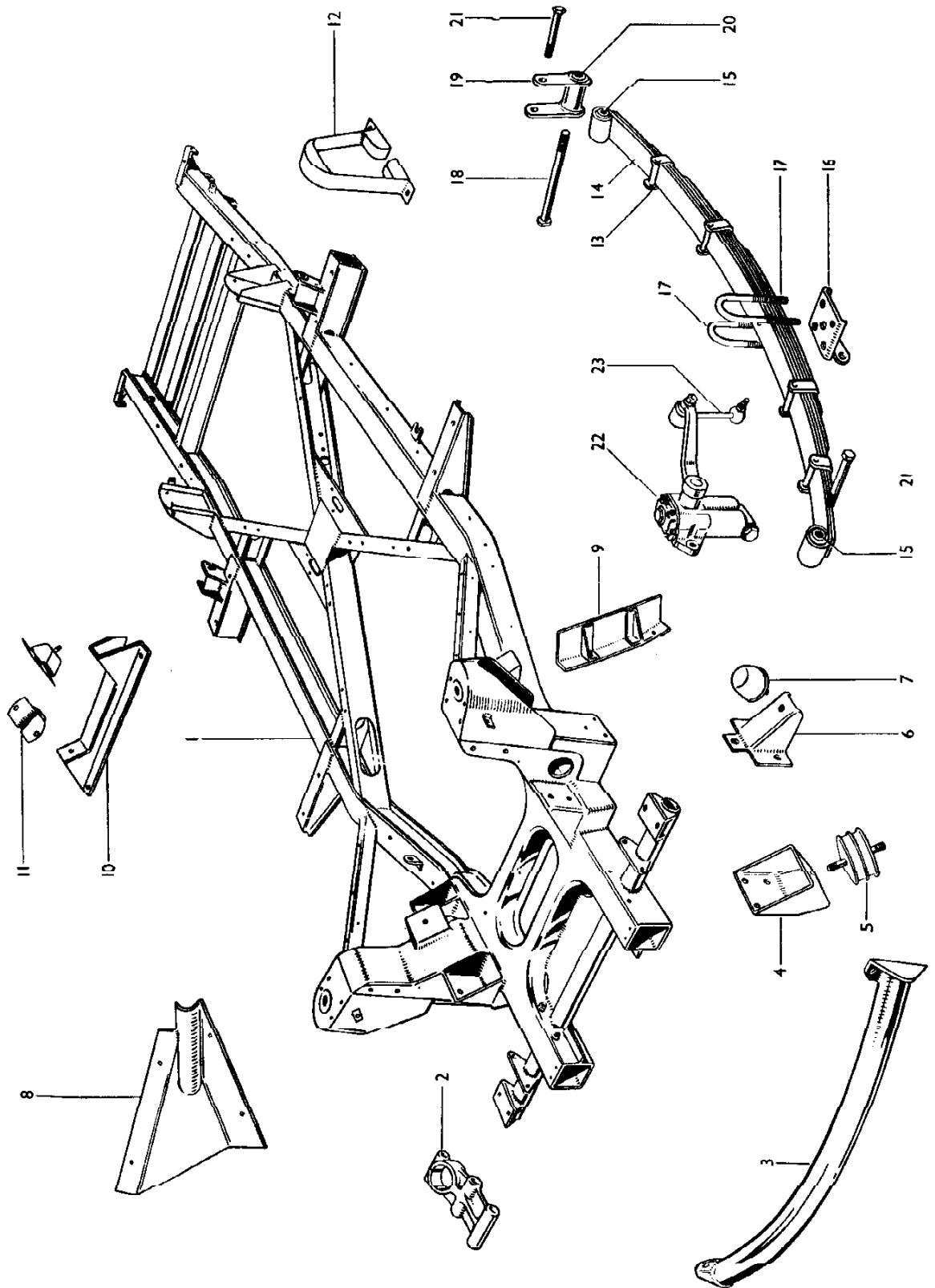


PLATE 27

BODY DETAILS

Part No.	Description	Plate No.	No. per Unit	Remarks
81/621013	BODY SHELL ASSEMBLY		1	R.H. DRIVE CARS ONLY
81/692979	Body Side Assembly, L.H.		1	
81/692980	Body Side Assembly, R.H.	28-1	1	
81/699150	Bonnet Aperture Panel Assembly	28-2	1	
81/669148	Body Front Lower Panel Assembly	28-4	1	
81/669121	Bonnet Lock Panel Assembly	28-5	1	
81/669079	Valance Panel Assembly, L.H.		1	
81/669080	Valance Panel Assembly, R.H.	28-6	1	
81/625242	'A' Post Reinforcement, L.H.		1	} 1st CONDITION
81/625250	'A' Post Reinforcement, R.H.	28-7	1	
170745	'A' Post Reinforcement, L.H.		1	} 2nd CONDITION
170746	'A' Post Reinforcement, R.H.		1	
81/615131	'A' Post Closing Panel, L.H.		1	
81/615132	'A' Post Closing Panel, R.H.	28-8	1	
81/622173	'B' Post Closing Panel, L.H.		1	
81/622174	'B' Post Closing Panel, R.H.	28-9	1	
81/614051	Sill Reinforcement, L.H.	28-10	1	
81/614052	Sill Reinforcement, R.H.		1	
81/625008	Dash Assembly	28-12	1	
81/622269	Rear Squab Panel Assembly	28-13	1	
81/622290	Tonneau Panel/Boot Hinge Reinforcement Assembly	28-14	1	
81/692983	Boot Aperture Panel	28-15	1	
81/622295	Body Rear Lower Outer Panel Assembly	28-15	1	
81/622000	Body Rear Lower Inner Panel Assembly	28-16	1	
81/624004	Main Floor Assembly	28-17	1	
81/644650	Gearbox Cover Assembly	28-18	1	NOT REQUIRED WHEN AUTOMATIC TRANSMISSION IS FITTED
53015	Gearbox Cover Assembly		1	REQUIRED WHEN AUTOMATIC TRANSMISSION IS FITTED
81/624098	Luggage Floor and Spare Wheel Pan Assembly	28-19	1	
82/621013	BODY SHELL ASSEMBLY		1	L.H. DRIVE CARS ONLY
82/669079	Valance Panel Assembly, L.H.		1	
82/669080	Valance Panel Assembly, R.H.		1	
82/625008	Dash Assembly	28-12	1	
	All other items are as for Body Shell Assembly 81/621013			
81/669001	BONNET LID ASSEMBLY	28-20	1	
81/626004	BOOT LID ASSEMBLY	28-21	1	
65/669043	HINGE ASSEMBLY, L.H. FOR BONNET AND BOOT LIDS	28-22	2	
65/669044	HINGE ASSEMBLY, R.H. FOR BONNET AND BOOT LIDS	28-23	2	
C.8667/1 FW.104/T	Nut, Nyloc, securing Hinges to Bonnet and Boot Lids Washer, Plain, under Nuts		8 8	
C.8667/2 FW.105/T	Nut, Nyloc, securing Hinges to Body Washer, Plain, under Nuts		4 4	

BODY DETAILS

Part No.	Description	Plate No.	No. per Unit	Remarks
81/626013	L.H. DOOR ASSEMBLY		1	1st CONDITION Note:—These Doors are identified by a recess behind the exterior handle
81/626014	R.H. DOOR ASSEMBLY		1	
81/626240	L.H. DOOR HINGE ASSEMBLY		2	
81/626241	R.H. DOOR HINGE ASSEMBLY		2	
81/616300	Hinge Plate, at 'A' Posts		4	
UFB.131/8R	Bolt, securing Hinges to Doors		12	
C.725	Washer, Shakeproof, on Bolts		12	
FW.105/T	Washer, Plain, under Shakeproof Washers		12	
C.8667/2	Nut, Nyloc, securing Hinges to Body		12	
53021	L.H. DOOR ASSEMBLY		1	2nd CONDITION
53022	R.H. DOOR ASSEMBLY	28—24	1	
370024	L.H. DOOR HINGE ASSEMBLY		2	
370025	R.H. DOOR HINGE ASSEMBLY	28—25	2	
UFB.131/8R	Bolt, securing Hinges to Doors		12	
C.725	Washer, Shakeproof, on Bolts		12	
FW.105/T	Washer, Plain, under Shakeproof Washers		12	
87536/10	Screw, Phillips Head, securing Hinges to Body		12	
470004	DOOR SILENCER (FEMALE)		2	
431462/36	Screw, Set, securing Door Silencers to Body		6	
470010A	DOOR SILENCER (MALE)		2	
431462/36	Screw, Set, securing Door Silencers to Doors		4	
81/659055	Tapping Ring, for Front Flasher and Rear Lamps	28—26	6	
26222	FRONT GRILLE ASSEMBLY	28—27	1	
26222/01	Surround, for Front Grille	28—28	1	
26222/02	Mesh, for Front Grille	28—29	1	
26222/03	Nut, securing Mesh		10	
26222/04	'V' Motif, on Grille	28—30	1	

BODY DETAILS

Part No.	Description	Plate No.	No. per Unit	Remarks
FRONT GRILLE ASSEMBLY (Cont.)				
26222/05	Retainer, securing 'V' Motif		2	
26222/06	Strap, fixing Motif		2	
26222/07	Strap, fixing Mesh		20	
C.8667/1	Nut, Nyloc, securing Front Grille to Body		12	
51/637052	Washer, Plain, under Nuts		12	
431912/1	MOULDING (P.V.C.) BETWEEN FRONT GRILLE AND BODY (89" LONG)		1	
136190	FRONT BUMPER, AT EACH SIDE OF FRONT GRILLE	28—31	2	} 1st CONDITION
UFS.137/7R	Screw, Set, securing Bumpers to Body		4	
FG.106/X	Washer, Spring, on Setscrews		4	
FW.106/T	Washer, Plain, under Spring Washers		4	
431912/2	MOULDING (P.V.C.) BETWEEN BUMPER AND BODY (16" LONG)		2	
136351	FRONT BUMPER ASSEMBLY (FULL LENGTH)		1	} 2nd CONDITION
136256	Bumper Bar Assembly		1	
308343	R.H. Over-rider Assembly		1	
308344	L.H. Over-rider Assembly		1	
431912/3	Over-rider Moulding (P.V.C.) (7" long)		4	
431876	Distance Piece, for Over-riders		2	
UFN.137/L	Nut, securing Over-riders		2	
FG.106/X	Washer, Spring, under Nuts		2	
136260	Spring Bar, supporting Bumper Bar		1	
UFB.137/7R	Bolt, securing Spring Bar to Bumper		3	
FG.106/X	Washer, Spring, on Bolts		3	
FW.106/T	Washer, Plain, under Spring Washers		3	
136262	BRACKET, R.H., SECURING FRONT BUMPER TO CHASSIS		1	
136263	BRACKET, L.H., SECURING FRONT BUMPER TO CHASSIS		1	
UFB.137/24R	Bolt, securing Brackets to Chassis		4	
UFN.137/L	Nut, on Bolts		4	
FG.106/X	Washer, Spring, under Nuts		4	
UFB.137/6R	Bolt, securing Bumper Assembly to Brackets		2	
UFN.137/L	Nut, on Bolts		2	
FG.106/X	Washer, Spring, under Nuts		2	
308159	FRONT NUMBER PLATE SUPPORT	28—32	1	} 1st CONDITION
UFS.125/4R	Screw, Set, securing Support to Body		4	
FG.104/X	Washer, Spring, on Setscrews		4	
FW.104/T	Washer, Plain, under Spring Washers		4	

BODY DETAILS

Part No.	Description	Plate No.	No. per Unit	Remarks
308332	FRONT NUMBER PLATE SUPPORT		1	} 2nd CONDITION
UFS.125/5R C.8667/1	Screw, Set, securing Support to Front Bumper		2	
	Nut, Nyloc, on Setscrews		2	
53/637073	MOTIF, "DAIMLER, ENGLAND"		1	
53/637074	Clip, securing Motif to Body		2	
136189	REAR OVER-RIDER ASSEMBLY	28—33	2	
431491	Bolt, Special, securing Over-rider to Body		4	
UFN.137/L	Nut, on Bolts		4	
FG.106/X	Washer, Spring, under Nuts		4	
FW.106/1	Washer, Plain, under Spring Washer		4	
307997	BRACKET MOUNTING REAR OVER-RIDERS	28—34	2	
UFS.137/8R	Screw, Set, securing Bracket to Chassis		2	
FG.106/X	Washer, Spring, on Setscrews		2	
FW.106/T	Washer, Plain, under Spring Washers		2	
UFS.137/10R C.8667/3 FW.106/T	Screw, Set, securing Bracket to Body		2	
	Nut, Nyloc, on Setscrews		2	
	Washer, Plain, under Nuts		2	
81/659184	BONNET PROP ROD	28—35	1	
422531/03	Clevis Pin, pivoting Bonnet Prop.		1	
L.102/SU	Split Pin, retaining Clevis Pin		1	
426558	Clip, retaining Bonnet Prop when not in use		1	
475791/75	Screw, securing Clip to Body		1	
81/669204	BONNET LOCK STRIKER ASSEMBLY		1	} 1st CONDITION
81/659221	Striker Pin	28—36	1	
81/659220	Spring, on Striker Pin	28—37	1	
81/669222	Retainer, for Spring	28—38	1	
900003	Nut, securing Striker Pin	28—39	1	
81/669219	Striker Pin Plate	28—40	1	
92/669204	BONNET LOCK STRIKER ASSEMBLY		1	} 2nd CONDITION
81/659222	Retainer, for Spring		1	
92/669219	Striker Pin Plate		1	
	All other items as for Bonnet Lock Striker Assembly			
	81/669204			
UFS.125/4R C.724	Screw, Set, securing Striker Plate to Bonnet		4	
FW.104/T	Washer, Shakeproof, on Setscrews		4	
	Washer, Plain, under Shakeproof Washers		4	

BODY DETAILS

Part No.	Description	Plate No.	No. per Unit	Remarks
92/669201	BONNET LOCK STRIKER PLATE ASSEMBLY	28—41	1	
92/659202	Slider, for Bonnet Lock	28—42	1	
81/659218	Locating Plate, for Slider	28—43	1	
BD.12855	Spring, tensioning Slider	28—44	1	
81/659226	Anchor Bracket, for Spring	28—45	1	
423195/34	Screw, Set, securing Anchor Bracket		2	
11404/10	Screw, Set, securing Bonnet Lock Striker Plate Assembly to Body		2	
C.724	Washer, Shakeproof, on Setscrews		2	
FW.104/T	Washer, Plain, under Shakeproof Washers		2	
51/637052	Washer, Special, on Setscrews		2	
81/669213	BONNET SAFETY CATCH ASSEMBLY		1	
81/659214	Safety Hook, for Bonnet	28—46	1	
81/659215	Spring, tensioning Safety Hook	28—47	1	
81/659216	Clevis Pin, pivoting Safety Hook	28—48	1	
L.102/3U	Split Pin, retaining Clevis Pin		1	
81/669116	Bracket, mounting Safety Hook	28—49	1	1st CONDITION
81/669158	Bracket, mounting Safety Hook		1	2nd CONDITION
308204	BONNET LOCK RELEASE CABLE	28—50	1	
431621	Handle, on Release Cable	28—51	1	
431622	Grubscrew, securing Handle to Cable		1	
81/659225	ABUTMENT BRACKET FOR BONNET LOCK RELEASE CABLE	28—52	1	
423195/34	Screw, Set, securing Bracket to Body		2	
81/659094	BONNET TOP RUBBER BUFFER	28—53	6	
423192/11	Rivet, securing Buffers to Body		6	
81/641105	PLENUM CHAMBER GRILLE ASSEMBLY	28—54	1	
90012/04	Screw, securing Grille Assembly to Body		4	
81/631106	PLENUM CHAMBER LATTICE	28—55	1	
75/637467	RUBBER PLUG IN GEARBOX COVER	28—57	2	1 OFF ONLY REQUIRED WHEN AUTOMATIC TRANSMISSION IS FITTED
81/637213	BLANKING PLUG IN GEARBOX COVER		1	REQUIRED ONLY WHEN AUTOMATIC TRANSMISSION IS FITTED
81/637213	BLANKING PLUG, IN MAIN FLOOR	28—58	2	

BODY DETAILS

Part No.	Description	Plate No.	No. per Unit	Remarks
81/637187	BLANKING PLUG, IN SPARE WHEEL FLOOR	28—59	2	
81/644190	SPARE WHEEL CLAMP ASSEMBLY	28—60	1	
87625	Bolt, Special, for Spare Wheel Clamp	28—61	1	
81/632175	BOOT LID PROP ROD	28—62	1	
422531/03	Clevis Pin, pivoting Prop Rod		1	
81/637087	Wave Washer, on Clevis Pin		1	
L.102/SU	Split Pin, retaining Clevis Pin		1	
FW.104/T	Washer, Plain, behind Split Pin		1	
426508	Clip, retaining Prop Rod when not in use		1	
425291/25	Screw, securing Clip to Body		1	
92/659145	BOOT LID RUBBER BUFFER		2	
81/637598	BOOT LID SEALING RUBBER (138" LONG)		1	
81/626061	L.H. DOOR LOCK AND REMOTE CONTROL ASSEMBLY		1	
81/626062	R.H. DOOR LOCK AND REMOTE CONTROL ASSEMBLY	28—63	1	
NS.419/3H AW.102/T	Screw, securing Door Lock and Remote Control to Doors		12	
	Washer, Plain, on Screws		12	
NS.419/4H	Safety Screw, for Door Lock (Locking)		1	
81/626521	STRIKER PLATE, FOR L.H. DOOR LOCK		1	
81/626522	STRIKER PLATE, FOR R.H. DOOR LOCK	28—64	1	
UFS.525/7H	Screw, securing Striker Plates to Body		6	
81/621054	DOOR CHECK STRAP ASSEMBLY	28—65	2	
51/617089	Rivet, securing Check Strap to 'A' Post		2	
81/641087	WINDOW REGULATOR IN L.H. DOOR		1	

BODY DETAILS

Part No.	Description	Plate No.	No. per Unit	Remarks
81/641089	WINDOW REGULATOR IN R.H. DOOR	29—66	1	
81/646238 423197/01	Support Panel , for Window Regulator Screw , securing Window Regulators to Support Panels	29—67	2 12	
422543/1	Nut , on Screws		12	
422508/12	Washer , Shakeproof, under Nuts		12	
NS.419/4H	Screw , securing Regulators and Panels to Doors		12	
422508/09	Washer , Shakeproof, on Screws		12	
81/636242	HANDLE, OPERATING DOOR WINDOW REGULATORS	29—68	2	
51/636245	Escutcheon , for Handles	29—69	2	
51/636244	Locking Pin , retaining Handles		2	
81/646445	L.H. DOOR GLASS FRONT CHANNEL		1	
81/646446	R.H. DOOR GLASS FRONT CHANNEL	29—70	1	
81/636375 UFS.425/6H 51/637052	Felt , for Front Channels Screw , securing Front Channels to Doors Spacing Washer , on Screws		2 4 As req'd	
81/646447	L.H. DOOR GLASS REAR CHANNEL		1	
81/646448	R.H. DOOR GLASS REAR CHANNEL	29—71	1	
81/636376 UFS.425/5H UFS.425/6H FW.104/T 51/637052	Felt , for Rear Channels Screw , securing Rear Channels to Doors Screw , securing Rear Channels to Doors Washer , Plain, on Screws Spacing Washer , on Screws		2 2 2 4 As req'd	
81/646123	L.H. DOOR GLASS BOTTOM CHANNEL		1	
81/646124	R.H. DOOR GLASS BOTTOM CHANNEL	29—72	1	
81/636112	Rubber , in Bottom Channels	29—73	2	
81/646215	DOOR GLASS AND FRAME ASSEMBLY	29—74	2	
81/646128	DOOR HANDLE, EXTERIOR (NON-LOCKING)	29—75	1	
81/646592	Push Button Assembly , for Door Handle	29—76	1	

BODY DETAILS

Part No.	Description	Part No.	No. per Unit	Remarks
81/646127	DOOR HANDLE, EXTERIOR (LOCKING)		1	
81/646593	Push Button Assembly, for Door Handle		1	
81/636197	Lock Barrel, for Door Handle		1	
81/636188	Seating Washer (Large) for Door Handles	29—77	2	
81/636189	Seating Washer (Small) for Door Handles	29—78	2	
900337	Screw, securing Exterior Handles to Doors		2	
C.724	Washer, Shakeproof, on Screws		2	
FW.104/T	Washer, Plain, under Shakeproof Washers		2	
423195/33	Screw, securing Exterior Handles to Doors		2	
81/636243	DOOR HANDLE, INTERIOR	29—79	2	
51/636245	Escutcheon, under Handles	29—80	2	
51/636244	Locking Pin, retaining Handles		2	
81/636464	SEALING RUBBER FOR DOORS		2	
81/632513	DRAUGHT EXCLUDER FOR DOORS		2	
81/645226	WINDSCREEN ASSEMBLY (TOUGHENED GLASS)	29—81	1	
81/635100	Glass, for Windscreen (Toughened)	29—82	1	
81/635257	Top Frame, for Windscreen	29—83	1	
81/635258	Bottom Frame, for Windscreen	29—84	1	
81/635255	L.H. Frame, for Windscreen	29—85	1	
81/635256	R.H. Frame, for Windscreen	29—86	1	
81/635378	Rubber, Glazing for Windscreen	29—87	1	
81/635234	Rubber, Sealing between Windscreen and Scuttle	29—88	1	
81/635254	Rubber, Sealing between Windscreen and Roof	29—89	1	
81/675226	WINDSCREEN ASSEMBLY (LAMINATED GLASS)		1	
81/675130	Glass, for Windscreen (Laminated)		1	
	All other items are as for Windscreen Assembly, 81/645226			
C.8667/2	Nut, Nyloc, securing Windscreen to Body		3	
FW.105/T	Washer, Plain, under Nuts		3	
87561	Shouldered Bolt, securing Windscreen to Body		2	
FG.104/X	Washer, Spring, on Shouldered Bolt		2	
FW.104/T	Washer, Plain, under Spring Washer		2	
81/635315	L.H. SEALING RUBBER FOR WINDSCREEN PILLAR		1	
81/635316	R.H. SEALING RUBBER FOR WINDSCREEN PILLAR		1	

BODY DETAILS

Part No.	Description	Plate No.	No. per Unit	Remarks
53227	FACIA PANEL ASSEMBLY (FULLY TRIMMED)		1	} R.H. DRIVE CARS ONLY
81/641169	Cubby Box, in Facia Panel		1	
81/645151	Lid. for Cubby Box		1	
53228	FACIA PANEL ASSEMBLY (FULLY TRIMMED)	29—90	1	} L.H. DRIVE CARS ONLY
82/641170	Cubby Box, in Facia Panel		1	
82/645152	Lid. for Cubby Box		1	
UFS.525/6H	Screw, securing Facia Panel to Body		4	
81/645151	CUBBY BOX LID (TRIMMED)		1	} R.H. DRIVE CARS ONLY
92/637380	Hinge, for Cubby Box Lid		2	
82/645152	CUBBY BOX LID (TRIMMED)		1	} L.H. DRIVE CARS ONLY
92/637380	Hinge, for Cubby Box Lid		2	
53/645133	LOCK FOR CUBBY BOX LID		1	
425282/21	Screw, securing Lock to Lid		2	
425281/02	Screw, securing Lock to Lid		1	
53/645134	Striker, for Cubby Box Lid Lock		1	
425282/20	Screw, securing Striker to Facia Panel		2	
53225	FACIA TRIM PANEL ASSEMBLY		1	R.H. DRIVE CARS ONLY
53226	FACIA TRIM PANEL ASSEMBLY	29—91	1	L.H. DRIVE CARS ONLY
81/637044	Clip, securing Trim Panel to Facia		10	
81/645500	CRASH RAIL ASSEMBLY (TRIMMED)	29—92	1	
NN.119/L	Nut, securing Crash Rail to Body		7	
AW.102/T	Washer, Plain, under Nuts		7	
81/641799	INTERIOR DRIVING MIRROR	29—93	1	
425281/33	Screw, securing Mirror		2	
81/647063	ASHTRAY IN GEARBOX COVER		1	

BODY DETAILS

Part No.	Description	Place No.	No. per Unit	Remarks
53108	FRONT SEAT ASSEMBLY (FULLY TRIMMED)		2	
81/644028	Frame Assembly	29—94	2	
81/634091	Slide (Plain) at L.H. side of Front Seats	29—95	2	
81/634092	Slide (Catch) at R.H. side of Front Seats	29—96	2	
UFB.125/10R	Bolt, securing Slides to Seat Frames		6	
UFB.125/12R	Bolt, securing Catch Slides to Seat Frames		2	
UFN.125/L	Nut, Nyloc, on Bolts		8	
81/637541	Clip, securing Seat Trim to Seat Frames		32	
81/644093	L.H. Floor Rail, for Seats	29—97	2	
81/644094	R.H. Floor Rail, for Seats	29—98	2	
81/644552	HANDBRAKE LEVER LEATHER GAITER		1	
81/641840	PETROL TANK REAR SUPPORT STRAP ASSEMBLY	29—99	2	
81/641839	PETROL TANK TOP SUPPORT STRAP ASSEMBLY	29—100	2	
UFS.125/4R	Screw, Set, securing Strap (Rear to Top)		2	
UFN.125/L	Nut, Nyloc, on Setscrews		2	
UFS.125/7R	Screw, Set, securing Straps to Body		4	
C.724	Washer, Shakeproof, on Setscrews		4	
81/646187	BOOT LID LOCK ASSEMBLY	29—101	1	
81/646802	Push Button Assembly	29—102	1	
81/636800	Locking Barrel		1	
81/637503	Key, for Locking Barrel	29—103	1	
UFS.125/4R	Screw, Set, securing Boot Lid Lock to Body		2	
C.724	Washer, Shakeproof, on Setscrews		2	
81/631500	Striker, for Boot Lid Lock	29—104	1	
423195/34	Screw, securing Striker to Boot Lid		2	
81/646227	L.H. DOOR CASING (TRIMMED)		1	} 1st CONDITION
81/646228	R.H. DOOR CASING (TRIMMED)		1	
170138	L.H. DOOR CASING (TRIMMED)		1	} 2nd CONDITION
170139	R.H. DOOR CASING (TRIMMED)		1	
81/645123	L.H. DASH SIDE CASING (TRIMMED)		1	} L.H. DRIVE CARS ONLY 1st CONDITION
81/645124	R.H. DASH SIDE CASING (TRIMMED)		1	

BODY DETAILS

Part No.	Description	Plate No.	No. per Unit	Remarks
170227	L.H. DASH SIDE CASING (TRIMMED)		1	} L.H. DRIVE CARS ONLY 2nd CONDITION
170228	R.H. DASH SIDE CASING (TRIMMED)		1	
82/645123	L.H. DASH SIDE CASING (TRIMMED)		1	} R.H. DRIVE CARS ONLY 1st CONDITION
82/645124	R.H. DASH SIDE CASING (TRIMMED)		1	
170225	L.H. DASH SIDE CASING (TRIMMED)		1	} R.H. DRIVE CARS ONLY 2nd CONDITION
170226	R.H. DASH SIDE CASING (TRIMMED)		1	
81/642119	L.H. REAR QUARTER CASING		1	} 1st CONDITION
81/642120	R.H. REAR QUARTER CASING		1	
170237	L.H. REAR QUARTER CASING		1	} 2nd CONDITION
170238	R.H. REAR QUARTER CASING		1	
81/643195	HOOD ASSEMBLY (COMPLETE)		1	
81/643177	HOOD MECHANISM ASSEMBLY		1	
81/643190	CANOPY RAIL ASSEMBLY		1	
81/643180	Toggle Fastener, securing Hood to Windscreen		3	
81/633407	Sealing Rubber, between Canopy and Windscreen		1	
81/643229	HOOD COVER ASSEMBLY (COMPLETE WITH BACKLIGHT)		1	
80480	Button Fastener, securing Hood Cover to Body (Tenax)		19	
80469	Nut, securing Button Fasteners		19	
80466	Eyelet, in Hood Cover for Turnbuttons		2	
80467	Washer, for Eyelets		2	

BODY DETAILS

Part No.	Description	Place No.	No. per Unit	Remarks
81/643441	HOOD ENVELOPE		1	
80480	Button Fastener , securing Hood Envelope to Body (Tenax)		19	
80469	Nut , securing Button Fasteners		19	
80470	Dot Fastener Button		2	
80472	Dot Fastener Socket		2	
80466	Eyelet , in Hood Envelope for Turnbuttons		2	
80467	Washer , for Eyelets		2	
80468	Stud , receiving Button Fasteners		2	
470035	Stud , receiving Button Fasteners		17	
88628	Nut , securing Studs		19	
80465	Turnbutton Fastener , securing Hood Cover or Envelope		2	
80473	Stud , for Dot Fasteners		2	
423190/13	Screw , securing Studs		2	
81/644457	L.H. FRONT FLOOR CARPET ASSEMBLY		1	} R.H. DRIVE CARS ONLY 1st CONDITION
81/644458	R.H. FRONT FLOOR CARPET ASSEMBLY		1	
53058	L.H. FRONT FLOOR CARPET ASSEMBLY		1	} R.H. DRIVE CARS ONLY 2nd CONDITION
53059	R.H. FRONT FLOOR CARPET ASSEMBLY		1	
82/644457	L.H. FRONT FLOOR CARPET ASSEMBLY		1	} L.H. DRIVE CARS ONLY 1st CONDITION
82/644458	R.H. FRONT FLOOR CARPET ASSEMBLY		1	
53062	L.H. FRONT FLOOR CARPET ASSEMBLY		1	} L.H. DRIVE CARS ONLY 2nd CONDITION
53063	R.H. FRONT FLOOR CARPET ASSEMBLY		1	
81/644753	INTERMEDIATE FLOOR CARPET ASSEMBLY		2	
81/645512	DASH CENTRE CARPET ASSEMBLY		1	R.H. DRIVE CARS ONLY

BODY DETAILS

Part No.	Description	Plate No.	No. per Unit	Remarks
82/645512	DASH CENTRE CARPET ASSEMBLY		1	L.H. DRIVE CARS ONLY
81/644450	GEARBOX COVER CARPET		1	
81/644455	PROPELLOR SHAFT TUNNEL CARPET		1	

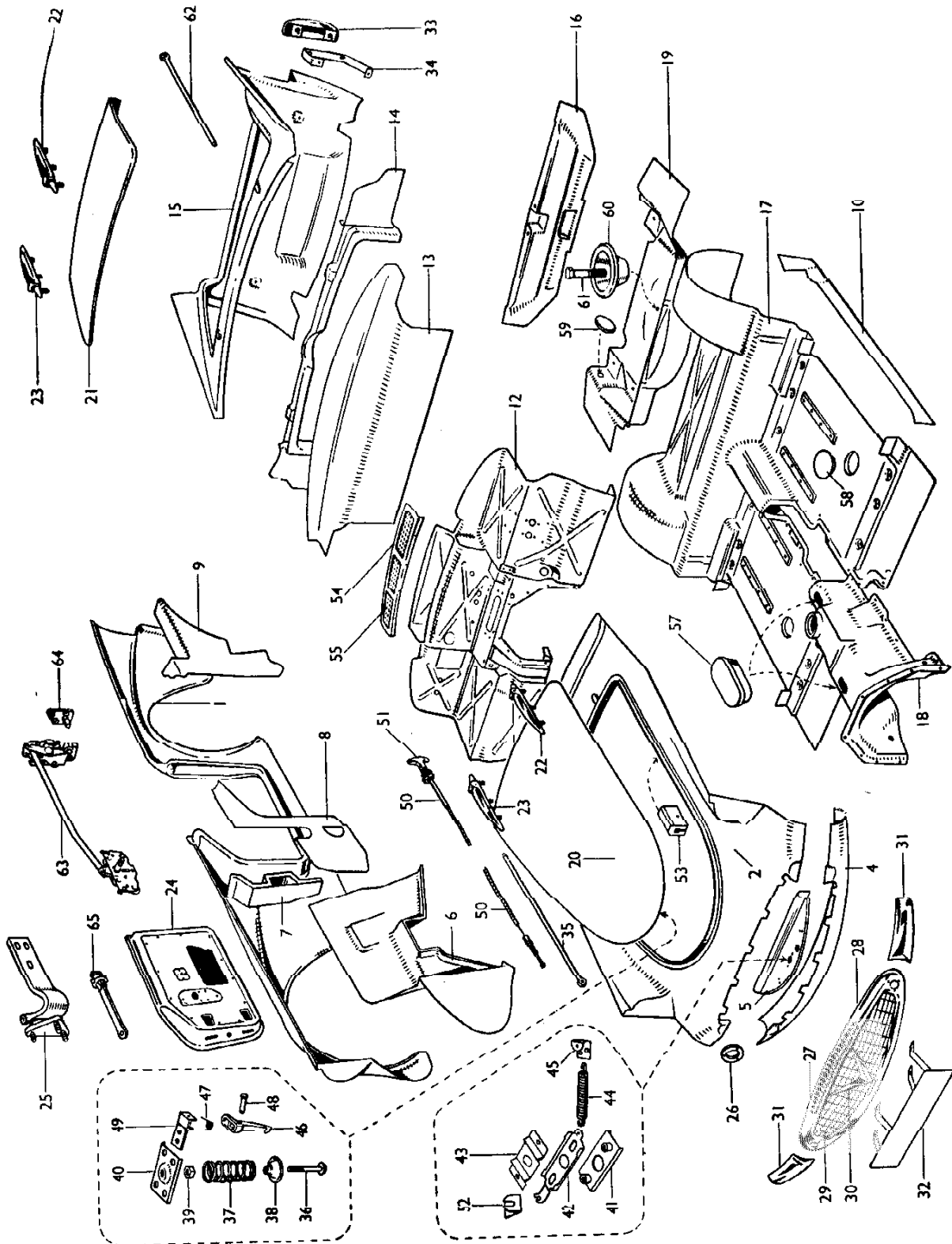
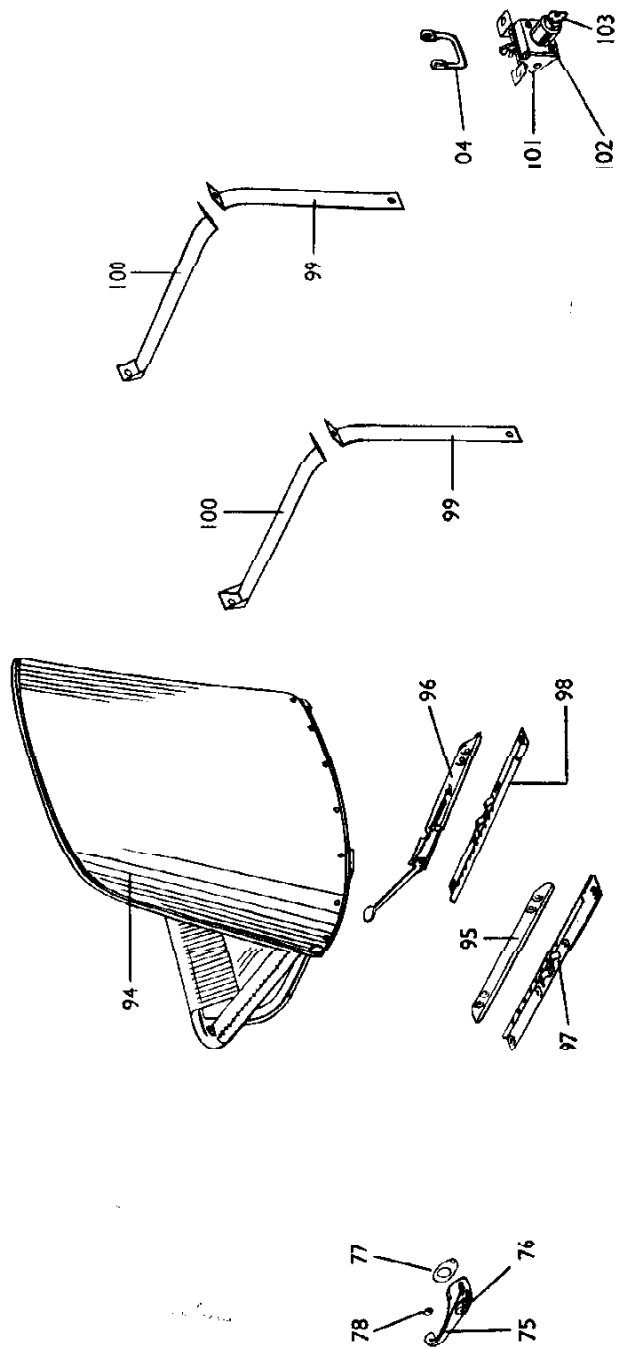
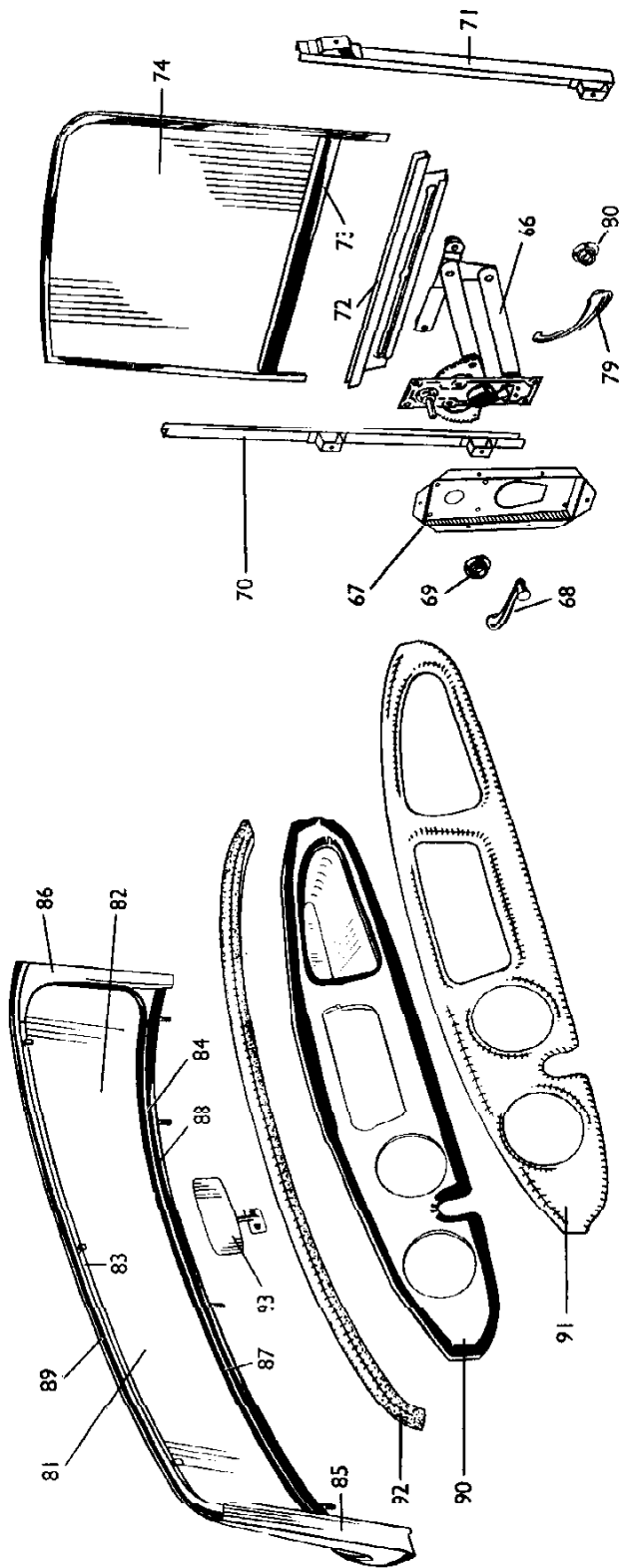


PLATE 28



BODY MOUNTING DETAILS

Part No.	Description	Plate No.	No. per Unit	Remarks
BODY MOUNTINGS				
12206/12	Screw, Set, mounting Body		28	
12206/14	Screw, Set, mounting Body		2	
UFN.137/L	Nut, on Front Mounting Setscrews		4	
FG.106/X	Washer, Spring, under Nuts		1	
400994	Mounting Rubber		30	
265809	Locating Washer, for Mounting Rubbers		30	
BD.6653	Packing Pad, for Body Mounting		As req'd	
BD.2070	Washer, Fibre, for Body Mounting		As req'd	
431366	STEERING COLUMN SUPPORT CLAMP		1	
UFS.125/7R	Screw, Set, securing Clamp		2	
FG.104/X	Washer, Spring, on Setscrews		2	
432276	RUBBER GROMMET IN DASH FOR STEERING COLUMN		1	
308119	STAY (LONG) SUPPORTING STEERING COLUMN		1	} R.H. DRIVE CARS ONLY
308120	STAY (SHORT) SUPPORTING STEERING COLUMN		1	
308094	STAY (LONG) SUPPORTING STEERING COLUMN		1	} L.H. DRIVE CARS ONLY
308095	STAY (SHORT) SUPPORTING STEERING COLUMN		1	
UFB.131/26R	Bolt, securing Stay to Clamp		1	
UFN.131/L	Nut, on Bolt		1	
FG.103/X	Washer, Spring, under Nut		1	
308099	BLANKING PLATE FOR HEATER APERTURE IN DASH		1	} NOT REQUIRED WHEN HEATER IS FITTED
308098	Rubber Seal, for Blanking Plate		1	
UFS.125/5R	Screw, Set, securing Blanking Plate		4	
UFN.125/L	Nut, on Setscrew		4	
425279	RUBBER BLANKING PLUG IN DASH FOR REDUNDANT HEATER CONTROL CABLE		1	NOT REQUIRED WHEN HEATER IS FITTED
81/634556	LEATHER GAITER FOR GEAR LEVER		1	NOT REQUIRED WHEN AUTOMATIC TRANSMISSION IS FITTED

ELECTRICAL EQUIPMENT

Part No.	Description	Plate No.	No. per Unit	Remarks
136150	HEADLAMP COMPLETE (58260/D)		2	R.H. DRIVE CARS ONLY
9953	Rim, (54520073)	30—1	2	
3446	Dust Excluder, (552906)	30—2	2	
6518	Plate, retaining Light Unit (554872)	30—3	2	
134316/04	Light Unit, (553921)	30—4	2	
6057	Adaptor, (554602)	30—5	2	
135122/03	Bulb, 12v—40/50w (414)	30—6	2	
9668	Rubber Gasket (54520131)	30—7	2	
136152	HEADLAMP, COMPLETE (58560/A)		2	L.H. DRIVE CARS EXPORT EUROPE
7762	Light Unit, (556452)		2	
7764	Adaptor, complete with Cables (553738)		2	
7763	Bulb, 12v—40/45w (410)		2	
	All other items are as for Headlamp 136150			
136199	HEADLAMP, COMPLETE (58561/A)		2	L.H. DRIVE CARS EXPORT FRANCE
7762	Light Unit, (556452)		2	
7764	Adaptor, complete with Cables (553738)		2	
8612	Bulb, 12v—40/45w (Yellow) (411)		2	
	All other items are as for Headlamp 136150			
136151	HEADLAMP, COMPLETE (58479/D)		2	L.H. DRIVE CARS AND EXPORT U.S.A.
136151/05	Rim, (54520443)		2	
3446	Dust Excluder, (552906)		2	
8077	Plate, retaining Light Unit (554179)		2	
3454	Adaptor, complete with Cables (553724)		2	
8172	Rubber Gasket, (554178)		2	
C.20464	HEADLAMP, COMPLETE (58631)		2	R.H. DRIVE CARS EXPORT SWEDEN
136150/01	Rim, (54520073)		2	
3446	Dust Excluder, (552906)		2	
6518	Plate, retaining Light Unit (554872)		2	
5221	Screw, Unit Rim (186137)		6	
6119	Rim, seating Unit (554871)		2	
8680	Light Unit, (54520148)		2	
7765	Spring, retaining Bulb (556442)		2	
7764	Bulb Holder, (553738)		2	
8064	Terminal Sleeve, (555910)		2	
7763	Bulb, (45/40w) (410)		2	
7766	Gasket, seating Lamps (554280)		2	
6521	Trimmer Screw, (554288)		6	
3434	Trimmer Spring, (552813)		6	
9954	Sleeve, on Trimmer Screws (554626)		6	
425286/15	Screw, securing Headlamps		8	
308032	SIDELAMP (52426/B)		2	
307794/01	Rim, (516556)	30—8	2	
307794/02	Screw, fixing Rim (136231)		2	

ELECTRICAL EQUIPMENT

Part No.	Description	Plate No.	No. per Unit	Remarks
SIDELAMP (Cont.)				
307794/03	Lens, (516386)	30—9	2	
307794/04	Gasket, sealing Lens (136395)	30—10	2	
3455	Adaptor, (553780)		2	
989	Bulb, 12v—6w (969)	30—11	2	
307794/05	Seating Rubber, for Sidelamp (516533)	30—12	2	
425286/20	Screw, securing Sidelamp to Body		4	
307795	FRONT FLASHER LAMP (52337/B)		2	
307795/01	Body, (Rubber) (576105)	30—13	2	
3485	Rim, (572734)	30—14	2	
307795/02	Lens, (Amber) (576108)	30—15	2	
307795/03	Bulb Holder Assembly, (576986)	30—16	2	
C.9126	Bulb, 12v—21w (382)	30—17	2	
307796	FRONT FLASHER LAMP (52345)		2	} FITTED TO EARLIER L.H. DRIVE CARS FOR EXPORT EXCEPT EUROPE
307796/01	Lens, (White), (576983)	2		
All other items are as for Front Flasher Lamp 307795				
425286/20	Screw, securing Front Flasher Lamps to Body		4	
308085	REAR FLASHER LAMP (52459/B)		2	
305149/02	Body Assembly (574234)	30—18	2	
6538	Lens, (Amber), (573832)	30—19	2	
83/638066	Seating Rubber, for Lens (575640)	30—20	2	
C.9126	Bulb, 12v—21w (382)	30—21	2	
C.8460	Seating Rubber, for Body (574231)	30—22	2	
308086	REAR FLASHER LAMP (52460/B)		2	} L.H. DRIVE CARS EXPORT EXCEPT EUROPE
308086/01	Lens, (Red), (54570779)	2		
All other items are as for Rear Flasher Lamp 308085				
426934/15	Screw, securing Rear Flasher Lamps to Body		6	
308087	STOP/TAIL LAMP (53818/B)		2	
5312	Body Assembly, (574224)	30—23	2	
305150/04	Lens, (574226)	30—24	2	
83/638066	Seating Rubber, for Lens (575640)	30—25	2	
C.9125	Bulb, 12v—21/6w (380)	30—26	2	
C.8460	Seating Rubber, for Body (574231)	30—27	2	
426934/15	Screw, securing Stop/Tail Lamps		6	
308088	REFLEX REFLECTOR (575883)		2	
		30—28		

ELECTRICAL EQUIPMENT

Part No.	Description	Plate No.	No. per Unit	Remarks
136168	FINISHER FOR STOP/TAIL AND REAR FLASHER LAMPS	30—27	2	
431462/38	Screw, securing Finisher		4	
431462/40	Screw, securing Finisher		4	
308061	SEALING RUBBER UNDER FINISHER	30—30	2	
305148	REAR NUMBER PLATE ILLUMINATION LAMP (052410/F)		1	NOT FITTED TO CARS WITH FULL LENGTH REAR BUMPER
305148/01	Body, (572603)	30—31	1	
305148/02	Window, (572596)	30—32	1	
305148/03	Gasket, seating Window (572595)	30—33	1	
305148/04	Base Assembly, (572619)	30—34	1	
989	Bulb, 12v—6w (989)	30—35	1	
305152	REAR NUMBER PLATE ILLUMINATION LAMP (53278/B)		1	FITTED TO CARS WITH FULL LENGTH REAR BUMPER
305152/01	Cover, (574046)		1	
305152/03	Seating Rubber, for Cover (574044)		1	
989	Bulb, 12v 6w (989)		1	
NB.119/5R	Bolt, securing Number Plate Illumination Lamp		2	
NN.119/L	Nut, on Bolts		2	
AG.102/X	Washer, Spring, under Nuts		2	
135093	HORN (LOW NOTE) (WT.618/69046/F)	31—36	1	} 1st CONDITION
135094	HORN (HIGH NOTE) (WT.618/69047/F)		1	
136577	HORN (LOW NOTE) (9H/54068009)		1	} 2nd CONDITION
136578	HORN (HIGH NOTE) (9H/54068008)		1	
308162	BRACKET ASSEMBLY MOUNTING HORNS	31—37	2	
UFS.125/5R	Screw, Set, securing Brackets to Chassis		4	} 1st CONDITION
UFN.125/L	Nut, on Setscrews		4	
FG.104/X	Washer, Spring, under Nuts		4	
UFB.125/14R	Bolt, securing Brackets to Chassis		4	} 2nd CONDITION
432079	Distance Piece, on Bolts		4	
432483	Grommet, for Horns		2	
UFS.125/6R	Screw, Set, securing Horns to Brackets		4	
UFN.125/L	Nut, on Setscrews		4	
FG.104/X	Washer, Spring, under Nuts		4	

ELECTRICAL EQUIPMENT

Part No.	Description	Plate No.	No. per Unit	Remarks
308036	BATTERY (BT.9A) (4016417)	31—38	1	
307935	Angle Assembly, securing Battery	31—39	1	
431431	Rod, securing Battery	31—40	2	
88602	Wing Nut, on Rod		2	
FW.104/T	Washer, Plain, under Wing Nuts		2	
307994	PETROL TANK ELEMENT UNIT (FT. 5301/05)	31—41	1	
307994/01	Cork Washer, seating Element Unit	31—42	1	
426934/22	Screw, securing Element Unit to Petrol Tank		6	
431723	SWITCH, OPERATING STOP LIGHTS (398003)	31—44	1	
431438	Gasket, for Switch (378707)		1	
431429	DIPPER SWITCH (31800/B—2I SA.)	31—45	1	
425287/20	Screw, securing Dipper Switch		2	
431430	SOLENOID FOR STARTER MOTOR (76464/D—2 ST.)	31—46	1	NOT REQUIRED ON CARS FITTED WITH AUTOMATIC TRANSMISSION
308723	SOLENOID FOR STARTER MOTOR (76469—2 ST.)		1	REQUIRED ONLY ON CARS FITTED WITH AUTOMATIC TRANSMISSION
425286/17	Screw, securing Solenoid		2	
423199/2	Washer, Plain, on Screws		2	
308035	CONTROL BOX (37299/D—RB.310)	31—47	1	
90018/08	Screw, securing Control Box		3	
C.16729	FLASHER UNIT (35020/A)	31—48	1	
90018/06	Screw, securing Flasher Unit		1	
308097	FUSE UNIT (54038033)	31—49	1	
425256/17	Screw, securing Fuse Unit		1	

ELECTRICAL EQUIPMENT

Part No.	Description	Plate No.	No. per Unit	Remarks
C.9688/1	PETROL PUMP (AUA.52)		1	1st CONDITION
307855/01	Body, (AUA.4644)	31-50	1	
307855/02	Lid, for Body (top and bottom) (AUA.4645)	31-51	2	
1833	Gasket, under Lids (AUA.4646)	31-52	2	
307855/04	Screw, securing Lids	31-53	12	
C.723	Washer, Shakeproof on Screws (AUA.4643)	31-54	12	
307855/05	Valve Cage, (AUA.4607)	31-55	1	
307855/06	Valve Disc, (AUA.4611)	31-56	2	
307855/07	Clip, for Valve Cage (AUA.4609)	31-57	1	
5846	Filter, (AUA.4647)	31-58	1	
C.11488	Banjo Bolt, (AUC.2698)	31-59	2	
C.11489	Washer, Fibre, on Banjo Bolts (AUC.2141)	31-60	4	
1238	Diaphragm Assembly (AUA.6010)	31-61	1	
10201	Armature Roller, (AUA.1433)	31-62	11	
1272	Spring, for Armature (AUA.1785)	31-63	1	
307855/12	Coil Housing Assembly (AUA.6003)	31-64	1	
7124	Screw, securing Coil Housing (AUA.1453)	31-65	6	
307855/14	Contact Breaker Spindle (AUA.1435)	31-66	1	
6046	Rocker and Blade Assembly, (Double Contact) (AUA.6021)	31-67	1	
307855/17	Screw, securing Blade (AUA.847)	31-69	1	
307855/18	Washer, Spring, on Screw (AUA.868)	31-70	1	
307855/19	Pedestal Assembly, (AUA.6034)	31-71	1	
307855/20	Screw, securing Pedestal (AUA.1459)	31-72	2	
307855/21	Washer, Spring, on Screws (AUA.1863)		2	
7664	Condenser, (AUA.5060)	31-73	1	
7665	Clip, holding Condenser (AUA.5059)	31-74	1	
1145	Terminal Screw, (AUA.1468)	31-75	1	
307855/23	Nut, on Terminal Screw (AUA.1661)	31-76	1	
307855/24	Washer, on end of Cable for Terminal Screw (AUA.1662)	31-77	1	
307855/21	Washer, Spring, on Terminal Screw (AUA.1863)	31-78	1	
7666	End Cover, (AUA.5078)	31-79	1	
307855/31	Dust Excluder, for End Cover (AUA.504)	31-80	1	
307855/26	Terminal Nut, (AUA.878)	31-81	2	
307855/32	Washer, Fibre, under Terminal Nut (AUA.505)	31-82	1	
C.723	Washer, Shakeproof, under Terminal Nut (AUA.4643)	31-83	1	
C.18336	PETROL PUMP (AUA.152)		1	2nd CONDITION
1833	Gasket, under Lids (AUA.4646)		2	
8754	Diaphragm Assembly, (AUB.6004)		1	
9320	Spring, on Diaphragm (AUB.521)		1	
5846	Filter, (AUA.4647)		1	
6046	Rocker and Blade Assembly (AUB.6021)		1	
7664	Condenser, (AUA.5060)		1	
7665	Clip, holding Condenser (AUA.5059)		1	
7666	End Cover, (AUA.5078)		1	
All other items are as for Petrol Pump C.9688/1				
C.20576	PETROL PUMP (AUB.152)		1	3rd CONDITION
9098	Diaphragm Assembly (AUB.6040)		1	
9099	Gasket, between Diaphragm and Valve Housing (AUB.593)		2	
9100	Rocker and Blade Assembly (AUB.6021)		1	
1145	Terminal Screw, (AUA.1468)		1	
9321	End Cover, (AUB.626)		1	
All other items are as for Petrol Pump C.9688/1				

ELECTRICAL EQUIPMENT

Part No.	Description	Plac. No.	No. per Unit	Remarks
136251	WINDSCREEN WIPER MOTOR ASSEMBLY (75371/E)	32—84	1	
136251/01	Crosshead and Rack (743223)	32—85	1	
308233	OUTER CASING, FROM MOTOR TO WHEELBOX (54711646)	32—86	1	
308234	OUTER CASING, WHEELBOX TO WHEELBOX (54711647)	32—87	1	
C.5450	OUTER CASING FOR WHEELBOX EXTENSION (740746)	32—88	1	
423393	GROMMET IN DASH FOR CASING	32—89	1	
308252	WHEELBOX ASSEMBLY (726930)	32—90	2	
308251/01	ARM, FOR WINDSCREEN WIPER (54711565)	32—91	2	R.H. DRIVE CARS ONLY
308250/01	ARM, FOR WINDSCREEN WIPER (54711566)	32—91	2	L.H. DRIVE CARS ONLY
51/638001	BLADE, FOR WINDSCREEN WIPER ARMS (738724)	32—92	2	
308075	SPEEDOMETER (SN.6321/02) (CALIBRATED IN MILES)	32—93	1	
308082	SPEEDOMETER (SN. 6321/03) (CALIBRATED IN KILOS)		1	
987	Bulb, for Speedometer illumination, Ignition and Main Beam Warning Lights (12v—2.2w) (987)	32—94	3	
308083	SPEEDOMETER FLEXIBLE CABLE COMPLETE (DF.1104/00/55)	32—95	1	R.H. DRIVE CARS ONLY NOT REQUIRED WHEN AUTOMATIC TRANSMISSION IS FITTED
308083/01	Inner Cable	32—96	1	
308083/02	Outer Cable	32—97	1	

ELECTRICAL EQUIPMENT

Part No.	Description	Part No.	No. per Unit	Remarks
308005	SPEEDOMETER FLEXIBLE CABLE COMPLETE (DF.1104/00/63)		1	L.H. DRIVE CARS ONLY NOT REQUIRED WHEN AUTOMATIC TRANSMISSION IS FITTED
308005/01	Inner Cable		1	
308005/02	Outer Cable		1	
308327	SPEEDOMETER FLEXIBLE CABLE COMPLETE (DF.1302/01/60)		1	REQUIRED ON ALL CARS WHEN AUTOMATIC TRANSMISSION IS FITTED
308327/01	Inner Cable (DI. 1314/00/60)		1	
308327/02	Outer Cable (DO 1314/00/60)		1	
424759	Clip, securing Speedometer Cable to Floor		1	} NOT REQUIRED WHEN AUTOMATIC TRANSMISSION IS FITTED
NS.419/6H	Screw, securing Clip		1	
UFN.119/L	Nut, on Screw		1	
AG.102/X	Washer, Spring, under Nut		1	
431938	Clip, securing Speedometer Cable to Gearbox Cover		1	
432292	Grommet, in Floor for Speedometer Cable	32—98	1	
UCS.125/3R	Screw, securing Speedometer Cable to Transmission Unit		1	} REQUIRED ON ALL CARS WHEN AUTOMATIC TRANSMISSION IS FITTED
FG.104/X	Washer, Spring, on Setscrew		1	
432451	Clip, securing Speedometer Cable to Heater Mounting Bolt		1	} R.H. DRIVE CARS ONLY REQUIRED WHEN AUTOMATIC TRANSMISSION IS FITTED
432909	Clip, securing Speedometer Cable under Front Floor		1	
423187/24	Screw, securing Clip		1	
308075	REV COUNTER (RN.2410/01)	32—99	1	
987	Bulb, illuminating Rev Counter and Flasher Warning Lights (987)	32—100	3	
308084	REV COUNTER FLEXIBLE CABLE (DF.1104/00/40)	32—101	1	R.H. DRIVE CARS ONLY NOT REQUIRED WHEN AUTOMATIC TRANSMISSION IS FITTED
308084/01	Inner Cable	32—102	1	
308084/02	Outer Cable	32—103	1	
309145	REV COUNTER FLEXIBLE CABLE (DF.1104/00/48)		1	R.H. DRIVE CARS ONLY REQUIRED WHEN AUTOMATIC TRANSMISSION IS FITTED
309145/01	Inner Cable		1	
309145/02	Outer Cable		1	
308006	REV COUNTER FLEXIBLE CABLE (DF.1104/00/30)		1	L.H. DRIVE CARS ONLY
308006/01	Inner Cable		1	
308006/02	Outer Cable		1	
431536	Clip, securing Cable to Facia Stay		1	
432292	Grommet, in Dash, for Cable	32—104	1	

ELECTRICAL EQUIPMENT

Part No.	Description	Place No.	No. per Unit	Remarks
308077	PETROL GAUGE (FG.2331/06)	32—105	1	
987	Bulb, illuminating Petrol Gauge (12v—2.2w) (987)	32—106	1	
308079	WATER TEMPERATURE GAUGE (TC.4304/01)	32—107	1	
987	Bulb, illuminating Temperature Gauge (12v—2.2w) (987)	32—100	1	
308080	WATER TEMPERATURE TRANSMITTER (TT.3800/00)	32—109	1	
308884	OIL PRESSURE GAUGE (PL.2303/04)	32—110	1	
987	Bulb, illuminating Oil Pressure Gauge (12v—2.2w) (987)	32—111	1	
308621	PIPE ASSEMBLY, FOR OIL PRESSURE GAUGE		1	
431515	Washer, for Pipe Union		1	
432280	Grommet, in Dash, for Pipe		1	
425456	Clip, securing Pipe to Dash		1	
426933/34	Screw, securing Clip		1	
AG.102/X	Washer, Spring, on Screw		1	
308096	AMMETER (CZU.60—36263/A)	32—112	1	
987	Bulb, illuminating Ammeter (12v—2.2w) (987)	32—113	1	
431424	LIGHTING SWITCH (57 SA. 31788)	32—114	1	1st CONDITION
308824	LIGHTING SWITCH (57 SA.—34351)		1	2nd CONDITION
431531	Designation Plate, "LIGHTS"	32—115	1	
431426	SWITCH PANEL LIGHTS (65 SA—31851)	32—116	1	1st CONDITION
308825	SWITCH, PANEL LIGHTS (65 SA—34352/B)		1	2nd CONDITION
431530	Designation Plate, "PANEL"	32—117	1	
431425	STARTER AND IGNITION SWITCH (47 SA.—31799/D)	32—118	1	

ELECTRICAL EQUIPMENT

Part No.	Description	Plate No.	No. per Unit	Remarks
424926	IGNITION BARREL	32—119	1	
424927	Key, for Ignition Barrel	32—120	2	
431427	SWITCH, WINDSCREEN WIPER (57 SA—31780)	32—121	1	1st CONDITION
308826	SWITCH, WINDSCREEN WIPER- (57 SA—34350/E)		1	2nd CONDITION
431532	Designation Plate, "WIPER"	32—122	1	
308103	INSTRUMENT PANEL	32—123	1	
87105/04	Screw, securing Instrument Panel		9	
136290	MAIN HARNESS (54943950)		1	
308354	PANEL HARNESS (54944244)		1	
308353	WINDSCREEN WIPER HARNESS (54944262)		1	
EARTH CABLES				
431884	Earth Cable, for Switch Panel (54944260)		3	
431885	Earth Cable, for Tail (54944261)		4	
431878	Earth Cable, for Battery (54943957)		1	
431879	Earth Cable, for Engine (54943958)		1	
308542	Earth Cable, for Gearbox (54945917)		1	
431884	Earth Cable, for Switch Panel (54944260)		1	L.H. DRIVE CARS ONLY
CABLES				
431880	Cable, from Battery to Solenoid (54943956)		1	R.H. DRIVE CARS ONLY
431886	Cable, from Battery to Solenoid (54943959)		1	L.H. DRIVE CARS ONLY
308356	Cable, Steering Column Extension (54943954)		1	L.H. DRIVE CARS ONLY
431883	Cable, for Instrument Panel Light (54944243)		2	
308351	Cable, Extension for Horns (54943953)		1	1st CONDITION
309015	Cable, Extension for Horns (54948689)		1	2nd CONDITION
308352	Cable, for Stop Light Switch (54943955)		1	
431881	Cable, for Front Flasher Lamp L.H. (54944240)		1	
431882	Cable, for Front Flasher Lamp R.H. (54944241)		1	
308349	Cable, for Stop/Tail Lamp L.H. (54943951)		1	
308350	Cable, for Stop/Tail Lamp R.H. (54943952)		1	
308355	Cable, from junction to Petrol Unit (54944259)		1	
431877	Cable, from Solenoid to Starter (54943956)		1	

ELECTRICAL EQUIPMENT

Part No.	Description	Plate No.	No. per Unit	Remarks
GROMMETS				
432293	Grommet, in Valance for Headlamp and Sidelamp Cables		2	
432424	Grommet, in Front Wing for Sidelamp Cables		2	
432293	Grommet, for Tail Lamp Cables		2	
432293	Grommet, in Bulkhead for Harness		1	
CABLE CLIPS				
408619	Clip, for Front Harness		3	R.H. DRIVE CARS ONLY
411480	Clip, for Front Harness		3	L.H. DRIVE CARS ONLY
425286/15	Screw, securing Clips		3	
431960	Clip, for Dynamo Cable		1	
UCS.125/4R	Screw, Set, securing Clip		1	
FG.104/X	Washer, Spring, on Setscrew		1	
431034	Clip, securing Battery Cable		1	

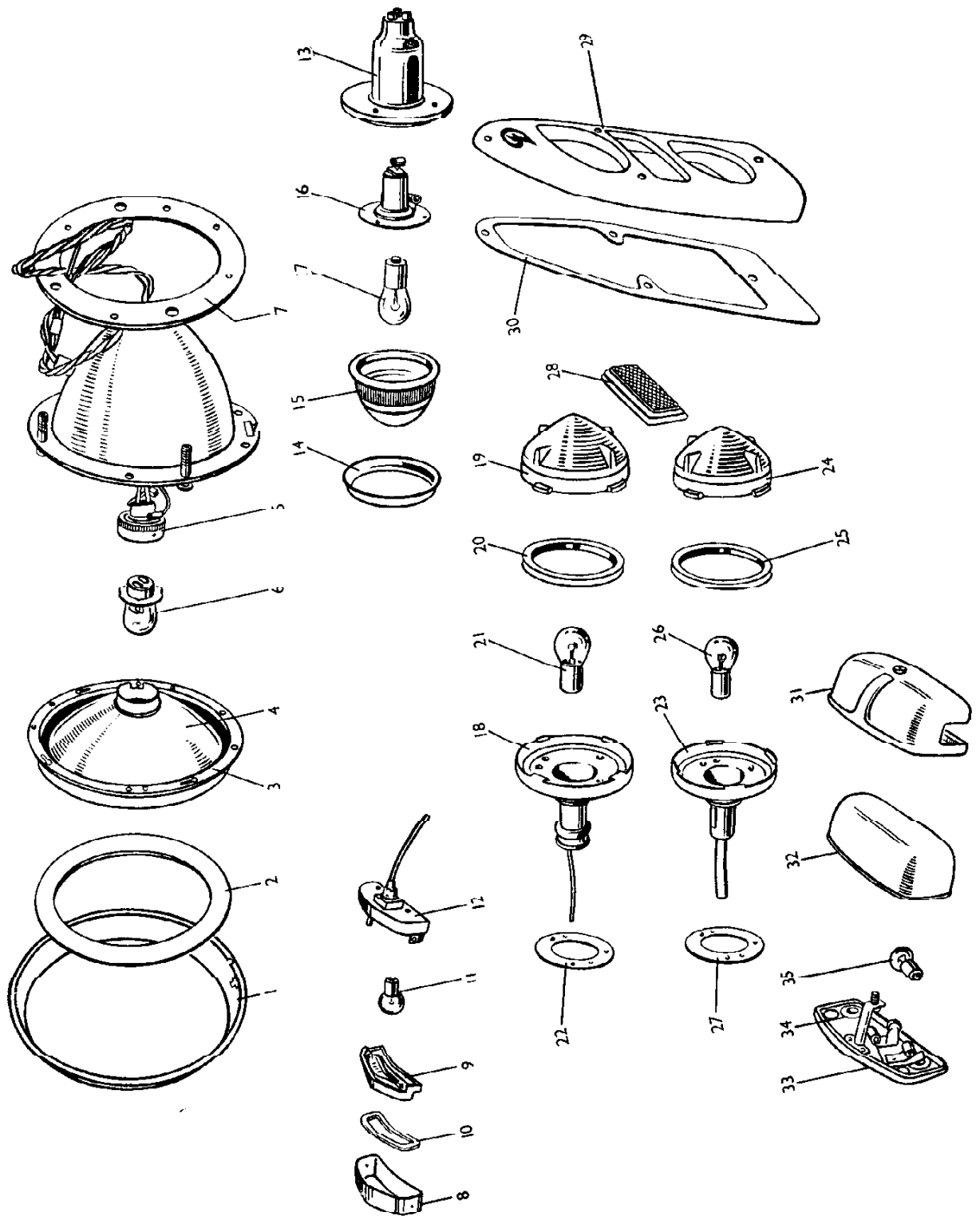


PLATE 30

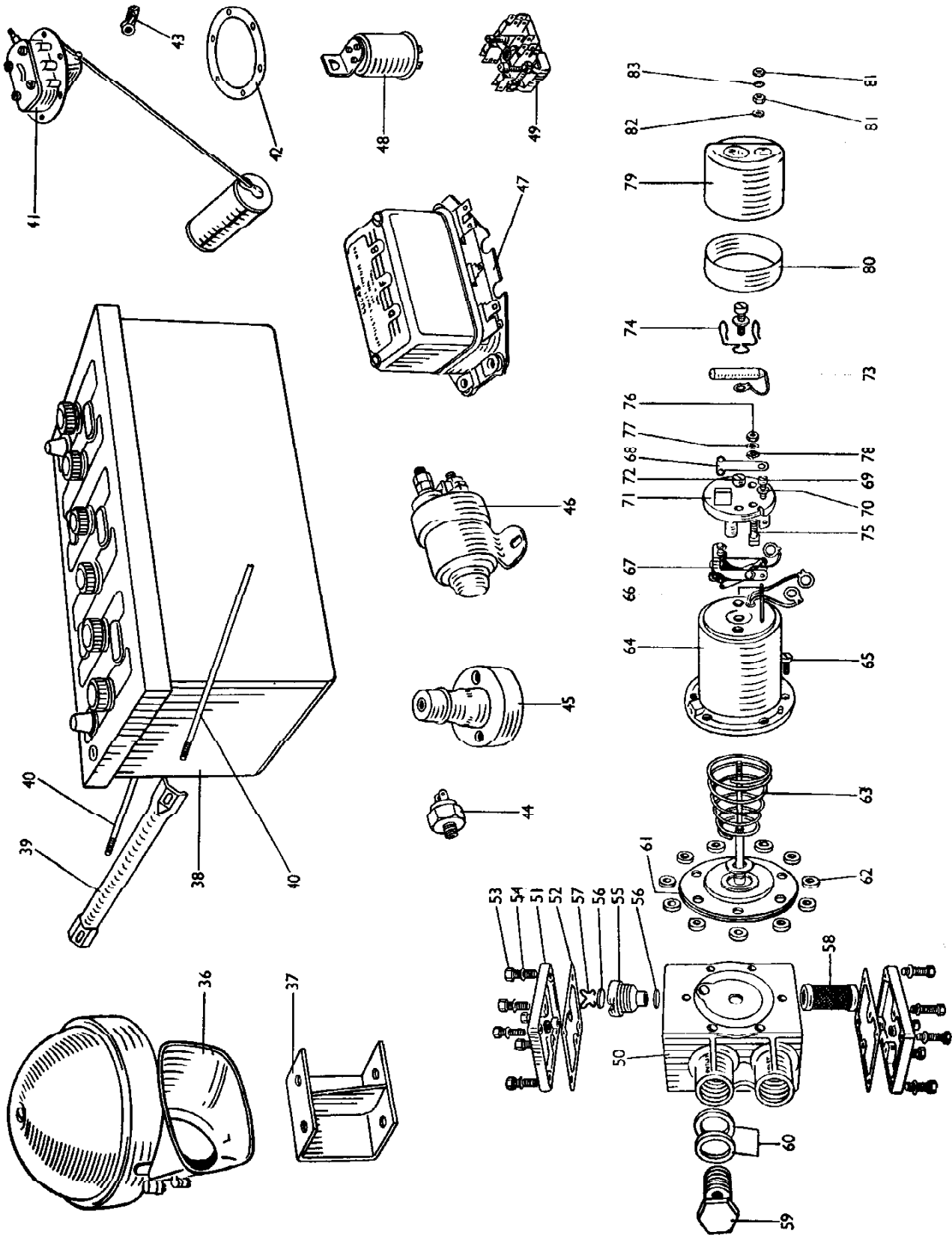


PLATE 31

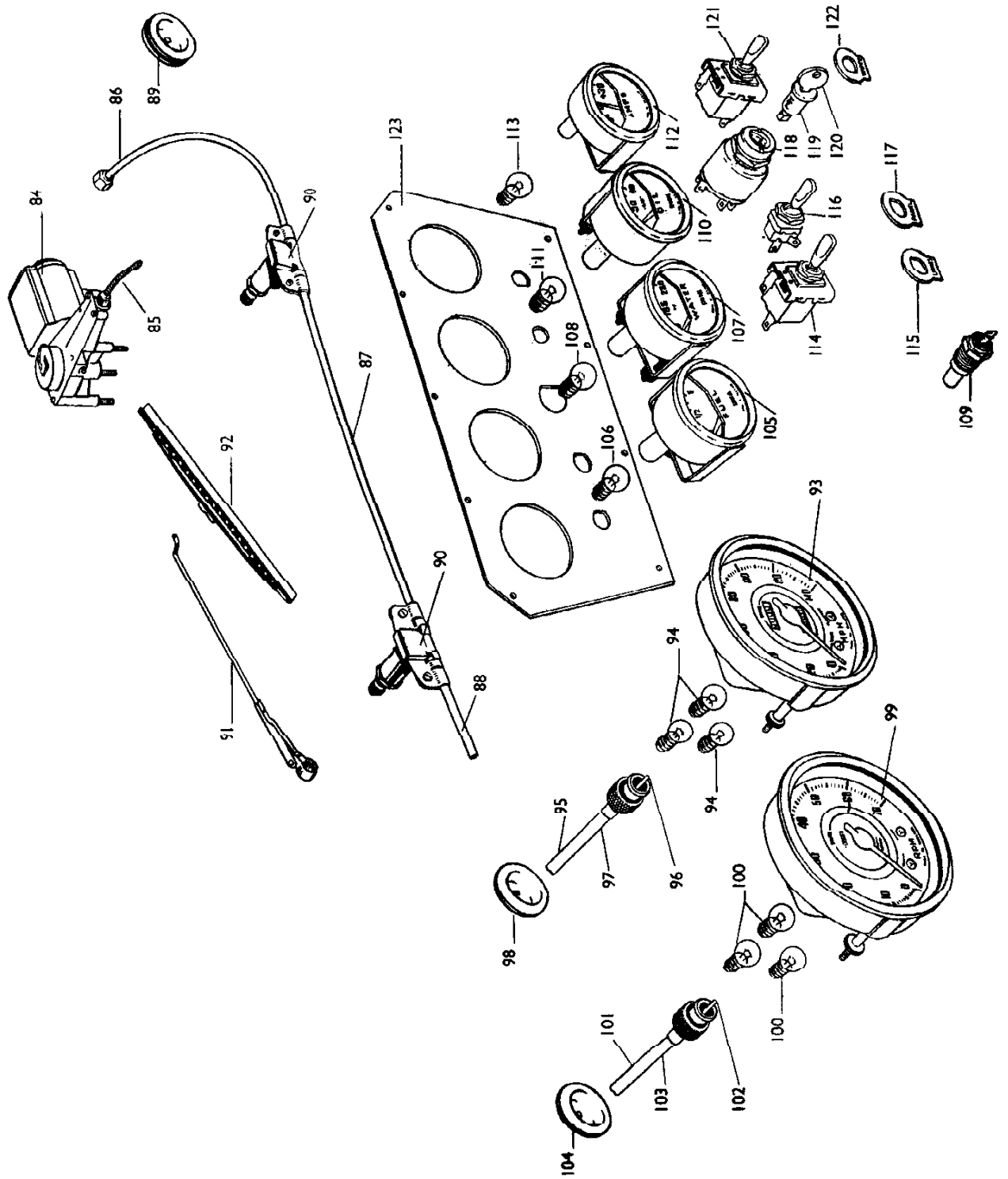


PLATE 32

TOOL KIT

Part No.	Description	Plate No.	No. per Unit	Remarks
424754	Double-ended Spanner (U.N. No. 8 x 10)		1	
424755	Double-ended Spanner ($\frac{7}{16}$ " x $\frac{1}{2}$ " A/F)		1	
303793	Double-ended Spanner ($\frac{9}{16}$ " x $\frac{1}{2}$ " A/F)		1	
303794	Double-ended Spanner ($\frac{11}{16}$ " x $\frac{1}{2}$ " A/F)		1	
307553	Box Spanner, for Sparking Plugs		1	
303789	Tommy Bar, for Box Spanner		1	
303102	Wheel Brace		1	} FOR CARS FITTED WITH DISC TYPE ROAD WHEELS
425706	Hub Cap Tool		1	
426071	Screwdriver and Points Gauge		1	
418259	Pliers		1	
308011	Screwdriver		1	
431490	Tappet Gauge		1	
307984	Lifting Jack		1	
307985	Lifting Jack Spanner		1	
424752	Bleeder Tube, complete with container		1	
134311	Tool Roll		1	
134312	Tool Bag		1	
308089	Hammer (Lead-faced)		1	FOR CARS FITTED WITH WIRE SPOKE ROAD WHEELS

OPTIONAL EXTRAS

Part No.	Description	Plate No.	No. per Unit	Remarks
HEATER AND DEMISTER				
308151	WATER INLET PIPE FOR HEATER	33-1	1	
136212	WATER OUTLET PIPE FOR HEATER	33-2	1	
422255	Elbow, connecting Water Pipes to Heater	33-3	2	
422522/02	Clip, securing Elbows		4	
431946	Clip, securing Water Outlet Pipe to Induction Manifold	33-4	1	
422545/13	Screw, securing Clip		1	
422543/2	Nut, on Screw		1	
AG.102/X	Washer, Plain, on Screw		1	
136209	HEATER UNIT ASSEMBLY (FHR.3454/01)	33-5	1	
308072	Seal, between Heater Unit Base and Dash	33-6	1	
UFS.125/6R	Screw, Set, securing Heater Unit to Dash		4	
FW.104/T	Washer, Plain, on Setscrews		4	
308135	HEATER CONTROL UNIT, COMPLETE WITH BLOWER SWITCH (FHC.1230/11)	33-7	1	
431610	Knob, on Heater Control Unit Lever (CH.85216/01)	33-8	1	
431734	Screw, securing Knob (30-257-104-11)		1	
308109	Indicator Strip, on Heater Control Unit	33-9	1	
422544/9	Screw, securing Heater Control Unit		2	
FG.103/X	Washer, Spring, on Screws		2	
431611	HEATER CONTROL CABLE (FHC.8401/96)	33-10	1	
431612	Trunnion, for Control Cable (CH.31701/01)	33-11	1	
432279	Grommet, in Dash for Control Cable		1	
308186	AIR CONTROL CABLE ASSEMBLY (FHC.6151/10)	33-12	1	
308186/01	Operating Knob, on Control Cable (CH.85129/1)	33-13	1	
431613	Trunnion, on Air Control Cable (CH.31502)	33-14	1	
431585/1	BRACKET, FOR AIR CONTROL CABLE		1	
423193/12	Woodscrew, securing Bracket to Dash		2	
308163	DEMISTER TUBE (22' LONG) (FHD.7115/PAB/88)	33-15	1	

OPTIONAL EXTRAS

Part No.	Description	Place No.	No. per Unit	Remarks
J08164	DEMISTER TUBE (27" LONG) (FHD.7115/PAB/108)	33-16	1	
WIRE SPOKE ROAD WHEELS				
308090	R.H. REAR HUB FOR WIRE SPOKE ROAD WHEEL		1	} Replacing "Rear Axle" Parts:— 307996, 430649 425658/02, 430450 431685
308091	L.H. REAR HUB FOR WIRE SPOKE ROAD WHEEL	34-1	1	
431511	Bolt, securing Brake Disc to Hubs		8	
136244	R.H. FRONT SUSPENSION UNIT ASSEMBLY		1	} Replacing "Front Suspension" Parts:— 136194 136195 308174 431385 431386 430241/06 430650
308092	R.H. Front Hub		1	
431512	Bolt, securing Brake Discs to Hub		4	
UFN.137/L	Nut, on Bolts		4	
136245	L.H. FRONT SUSPENSION UNIT ASSEMBLY		1	
308093	L.H. Front Hub	34-2	1	}
431515	Bolt, securing Brake Discs to Hub		4	
UFN.137/L	Nut, on Bolts		4	
136201	WIRE SPOKE ROAD WHEEL (TYPE 42W)		5	} Replacing "Road Wheels" Parts:— 136198 136196
136201/01	Long Spoke		100	
136201/02	Short Spoke		200	
136201/03	Nipple		300	
308104	R.H. HUB CAP		2	
308105	L.H. HUB CAP	34-3	2	
81/634295	COVER, OVER SPARE WHEEL CLAMP	34-4	1	} Replacing "BODY DETAILS" Parts:— 87625
87103/03 87627	Woodscrew, securing Cover to Floor Bolt, for Spare Wheel Clamp	34-5	4 1	

OPTIONAL EXTRAS

Part No.	Description	Plate No.	No. per Unit	Remarks
ADJUSTABLE STEERING COLUMN				
136227	STEERING COLUMN CONTROL ASSEMBLY (33556)		1	Replacing "Steering Unit and Controls" Parts:— 135932 135932/01 135932/02 135932/03 135932/05 135932/06 135990 427234 427235 405066 136057 136058 136057/01 136058/01 135217/04 136057/02 136058/03
136227/01	Top Cover Assembly (54300427)		1	
136227/02	Stator Plate Assembly (54300443)		1	
136227/03	Cable (54944643)		1	
136227/01	TOP COVER ASSEMBLY (54300427)		1	
135246/02	Horn Push (322175)		1	
133055/02	Ring, retaining Horn Push (322176)		1	
308292	STATOR TUBE ASSEMBLY (54300449)		1	
136184	STEERING WHEEL ASSEMBLY (ALTERNATIVE TO 431842)	34-6	1	
431842	STEERING WHEEL ASSEMBLY (LEATHER COVERED) (ALTERNATIVE TO 136184)			
136184/01	Locking Sleeve, for Steering Wheel	34-7	1	
131752/02	Volute Spring	34-8	1	
131752/03	Washer, for Top Dust Cover	34-9	1	
131752/04	Washer, for Bottom Dust Cover	34-10	1	
279995	Circlip, securing Steering Wheel to Inner Column	34-11	1	
424806	Grubscrew, securing Steering Column Control		2	
136185	STEERING UNIT ASSEMBLY (Z.1417) (R.H. DRIVE CARS ONLY)		1	
136105/01	Outer Column and Steering Box (37873)		1	
133502/02	Bush, Felt, for Outer Column (8533)		1	
136185/02	Inner Column and Worm (37826)		1	
136186	STEERING UNIT ASSEMBLY (Z.1418) (L.H. DRIVE CARS ONLY)		1	
136186/01	Outer Column and Steering Box (37877)		1	
133502/02	Bush, Felt, for Outer Column (8533)		1	
136186/02	Inner Column and Worm (37828)		1	
WHEEL DISCS (For Disc Type Road Wheels)				
136269	WHEEL DISC ASSEMBLY ("D" TYPE)	34-12	4	Replacing "Road Wheel" Parts:— 136196
136269/01	Wheel Disc	34-13	4	
136269/02	Inner Adaptor Assembly	34-14	4	
136269/03	Outer Adaptor	34-15	4	
136269/04	Cap Assembly	34-16	4	
136269/05	Cap Rubber	34-17	8	

OPTIONAL EXTRAS

Part No.	Description	Plate No.	No. per Unit	Remarks
'SCREENJET' WINDSCREEN WASHER				
C.17004	WINDSCREEN WASHER UNIT (54071196)	34-18	1	STANDARD EQUIPMENT ON LATER R.H. DRIVE CARS. OPTIONAL EXTRA ON ALL L.H. DRIVE CARS
8408	Motor, complete with Coupling (54711928)	34-19	1	
8035	Pump Assembly (295194)	34-20	1	
8041	Bracket, holding Reservoir (295061)	34-21	1	
8040	Glass Reservoir (295058)	34-22	1	
8036	Moulded Cover, for Reservoir (295138)	34-23	1	
8037	Gasket, Rubber, between Cover and Reservoir (295042)		1	
8039	Union, securing Motor to Pump (295045)		1	
8038	Rubber Filler Cap, in Cover (295043)	34-24	1	
308207	Bracket, mounting Windscreen Washer Unit Bracket to Valance	34-25	1	
422545/12	Screw, Set, securing Bracket to Valance		4	
NN.119/L	Nut, on Setscrews		4	
AW.102/T	Washer, Plain, on Setscrews		4	
AG.102/X	Washer, Spring, under Nuts		4	
UCS.313/3H	Screw, securing Reservoir Bracket to Mounting Bracket		3	
UCN.113/L	Nut, on Screws		3	
430241/01	Washer, Spring, under Nuts		3	
8408	MOTOR, COMPLETE WITH COUPLING (54711928)	34-19	1	
8042	Contact Assembly (295251)		1	
8043	Brush Set (295198)		1	
8044	Armature (295023)		1	
431626	TUBING FOR WINDSCREEN WASHER (61" LONG) (295070)	34-26	1	
431625	JET ASSEMBLY (TWIN) (295110)	34-27	1	
431624	SWITCH OPERATING WINDSCREEN WASHER (31513/A)	34-28	1	
431585/03	Bracket, supporting Switch		1	
423193/12	Woodscrew, securing Bracket to Facia		2	
308709	HARNES FOR WINDSCREEN WASHER (54946520)		1	R.H. DRIVE CARS ONLY
308423	HARNES FOR WINDSCREEN WASHER (54945455)		1	L.H. DRIVE CARS ONLY
433100	EARTH LEAD FOR WINDSCREEN WASHER SWITCH		1	

OPTIONAL EXTRAS

Part No.	Description	Plate No.	No. per Unit	Remarks
EXHAUST TAIL PIPE EXTENSION				
308283	EXTENSION, CHROMIUM PLATED. FOR EXHAUST TAIL PIPE	34—29	2	
423176/18	Clip, securing Extension to Tail Pipe	34—30	2	
FAN COWL				
136274	FAN COWL ASSEMBLY	34—31	1	FOR COUNTRIES WITH HIGH AMBIENT TEMPERATURE
CIGAR LIGHTER				
309243	CIGAR LIGHTER (L.15082—12v)	34—32	1	
C.18638/2	Element (LHA.30882—12v)		1	
C.18638/4	Handle (LHA.30578—1)		1	
C.18638/5	Chrome Bezel (LH.30843—1)		1	
C.18638/6	Clamping Shell (LU.30669—3)		1	
C.18638/1	Switch Base Assembly (LBA.31075—12v)		1	
C.23606	EARTH LEAD FOR CIGAR LIGHTER		1	
PETROL TANK RESERVE UNIT				
307932	PETROL TANK RESERVE UNIT (78041)	34—33	1	Replacing "Fuel System" Parts:— 307987
431634	Pipe, from Flexible Pipe to Reserve Unit	34—34	1	
431637	Union Nut, securing Pipe to Unit	34—35	1	
308209	SWITCH OPERATING PETROL RESERVE UNIT (56 SA.—31696)	34—36	1	
C.15787	Bulb, for Switch Warning Light	34—37	1	
431585/2	Bracket, supporting Petrol Reserve Switch		1	
423193/12	Woodscrew, securing Bracket to Facia		2	
308711	CABLE FROM SWITCH TO JUNCTION (54946522)		1	
308710	EARTH LEAD FOR SWITCH (54946521)		1	

OPTIONAL EXTRAS

Part No.	Description	Plate No.	No. per Unit	Remarks
LEATHER COVERED STEERING WHEEL				
431841	STEERING WHEEL (LEATHER COVERED)		1	FOR USE WITH FIXED STEERING COLUMN
431842	STEERING WHEEL (LEATHER COVERED)		1	FOR USE WITH ADJUSTABLE STEERING COLUMN
WHITE WALL TYRES				
431735	WHITE WALL TYRE (5.90 x 15)		5	} Replacing "Road Wheels" Part:— 430575/1
C.22148	WHITE WALL TYRE (SLIMLINE) (5.90 x 15)		5	
TONNEAU COVER				
81/642930	TONNEAU COVER ASSEMBLY		1	R.H. DRIVE CARS ONLY
82/642930	TONNEAU COVER ASSEMBLY		1	L.H. DRIVE CARS ONLY
80480	Button Fastener		27	
80469	Nut, securing Button Fasteners		27	
80468	Stud, receiving Button Fasteners		8	} Fitted to Scuttle
88628	Nut, securing Studs		8	
SAFETY BELTS				
2765	SEAT BELT (LAP/DIAGONAL FITTING) COMPLETE WITH ATTACHMENT BOLTS AND EYE BOLTS		2	
BD.25479	'D' MOTIF FOR SEAT BELT BUCKLE		2	
UCN.111/K C.720	Nut, securing 'D' Motif to Buckles		2	
	Washer, Shakeproof, under Nuts		2	

OPTIONAL EXTRAS

Part No.	Description	Plate No.	No. per Unit	Remarks
HARD TOP COVER				
81/643145	HARD TOP COVER ASSEMBLY (TRIMMED)	35—1	1	
81/633070	Backlight (Perspex)	35—2	1	FITTED TO EARLY CARS FITTED TO LATER CARS
81/633347	Backlight (Toughened Glass)		1	
81/633143	Glazing Rubber, for Backlight	35—3	1	
81/633327	Filler, Rubber, for Backlight	35—4	1	
81/643180	Toggle Fastener Assembly	35—5	3	
87524/05	Screw, securing Toggle Fastener		6	
81/633400	Seating Rubber, between Body and Hard Top (118" Long)	35—6	1	
423192/11	Rivet, securing Seating Rubber to Hard Top		30	
470011	Finisher, for Seating Rubber	35—7	1	
81/633333	Finisher, at L.H. end of Seating Rubber		1	
81/633334	Finisher, at R.H. end of Seating Rubber		1	
90022/03	Screw, securing Finishers		4	
BD.23474	Seating Rubber, at Front of Hard Top		1	
81/633331	Weather Strip, between Hard Top and Windscreen		1	
370152	Hook, securing Hard Top to Body	35—8	7	
88527	Hand Nut, (Special), securing Hooks	35—9	7	
9.204/X	Washer, D.C. Spring		7	
81/633249	DRAUGHT EXCLUDER AT TOP OF DOOR APERTURE		2	
BADGE BAR				
308493	BADGE BAR	35—10	1	
432061	Rubber Mounting, for Badge Bar	35—11	4	
UFB.137/7R	Bolt, securing Badge Bar to Body	35—12	2	
FW.106/T	Washer, Plain, on Bolts	35—13	2	
FOG AND LONG RANGE DRIVING LAMPS				
308452	FOG LAMP ASSEMBLY (55213—5 FT.)	35—14	1	
308452/01	Rim (54520057)	35—15	1	
8060	Screw, fixing Rim, (127511)	35—16	1	
8062	Light Unit (54520142)	35—17	1	
323	Bulb (323)	35—18	1	
8401	LIGHT UNIT "RANGER" FOR FOG LAMP (54520077)		1	TO CONVERT FOG LAMP TO LONG RANGE DRIVING LAMP
432011	R.H. BRACKET FOR FOG OR LONG RANGE DRIVING LAMP	35—19	1	

OPTIONAL EXTRAS

Part No.	Description	Plate No.	No. per Unit	Remarks
432012	L.H. BRACKET FOR FOG OR LONG RANGE DRIVING LAMP		1	
431963	Grommet, in Bracket for Lamp Cable		2	
UFS.125/6R	Screw, Set. securing Bracket to Bumper Spring Bar		4	
UFN.125/L	Nut, on Setscrews		4	
FG.104/X	Washer, Spring, under Nuts		4	
432009	SWITCH, OPERATING FOG AND LONG RANGE DRIVING LAMP (34285)	35—20	2	
431607/02	Knob, 'F', on Switch	35—21	1	
431607/03	Knob, 'L', on Switch		1	
4322511	Bezel, for Switch	35—22	2	

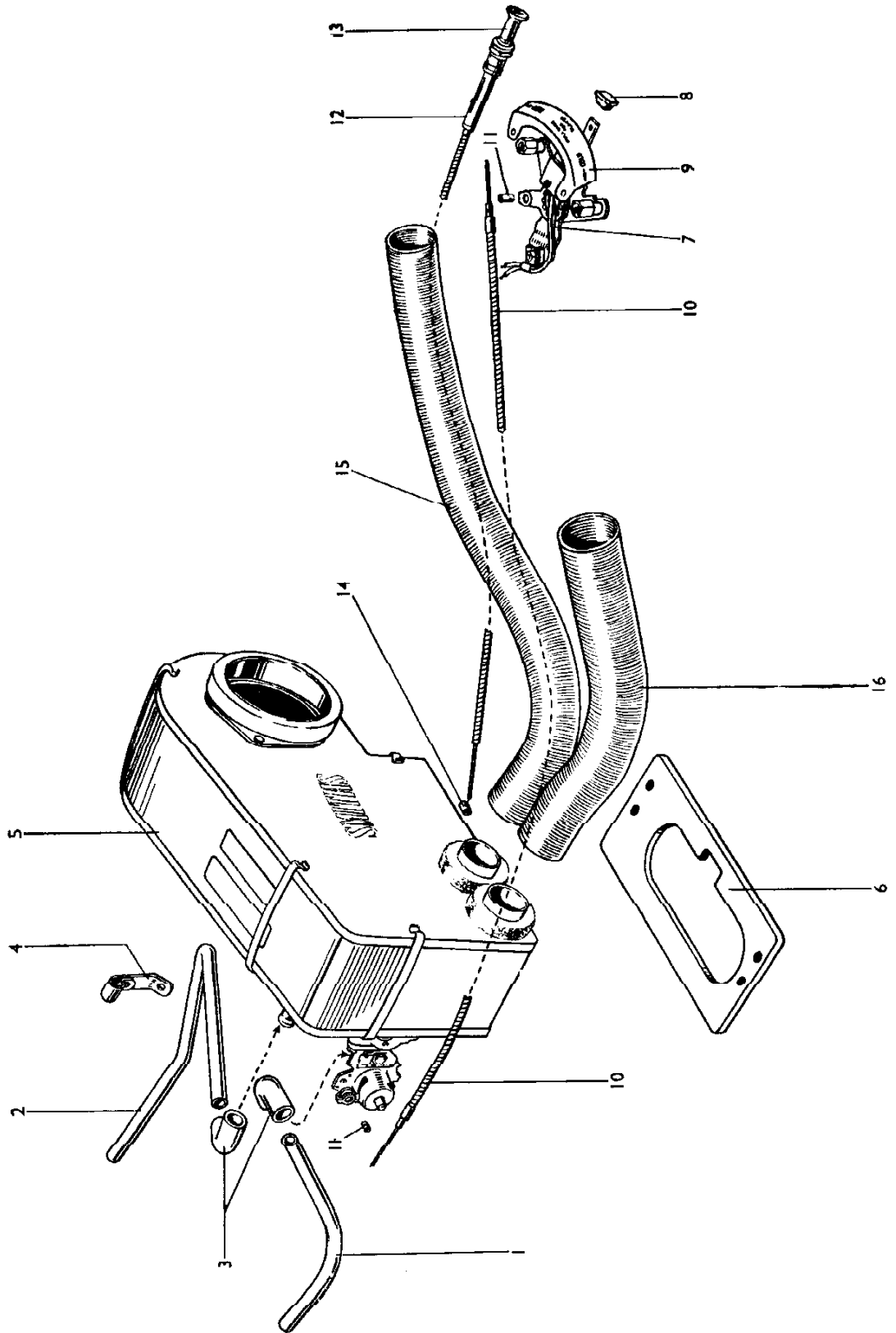


PLATE 33

141

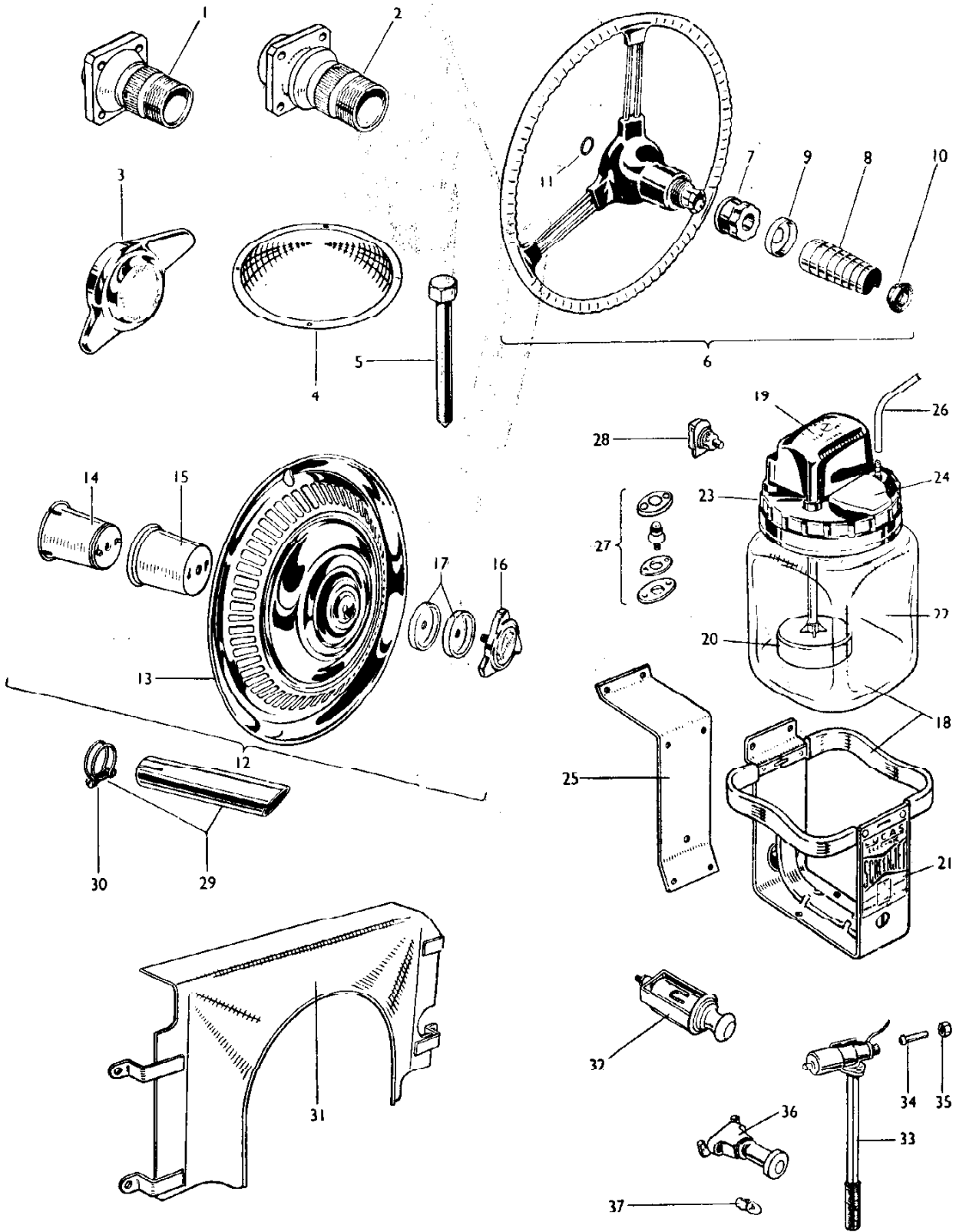


PLATE 34

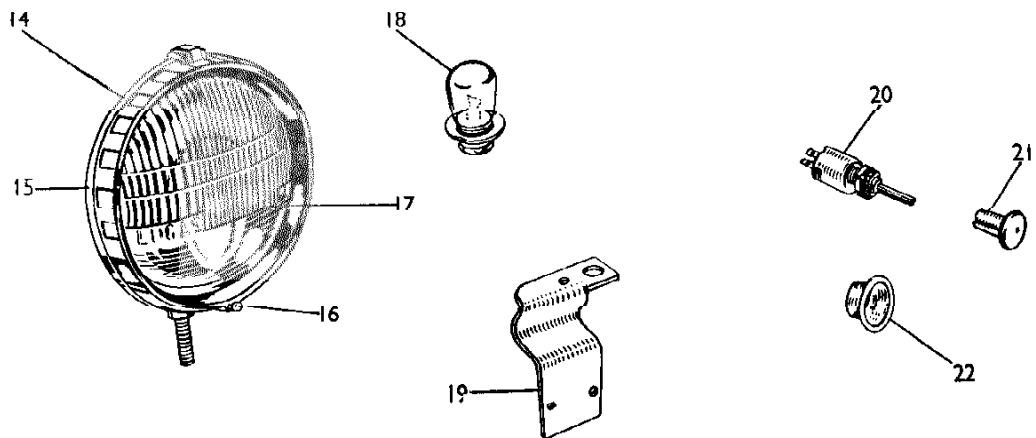
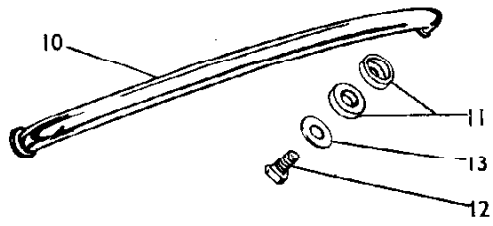
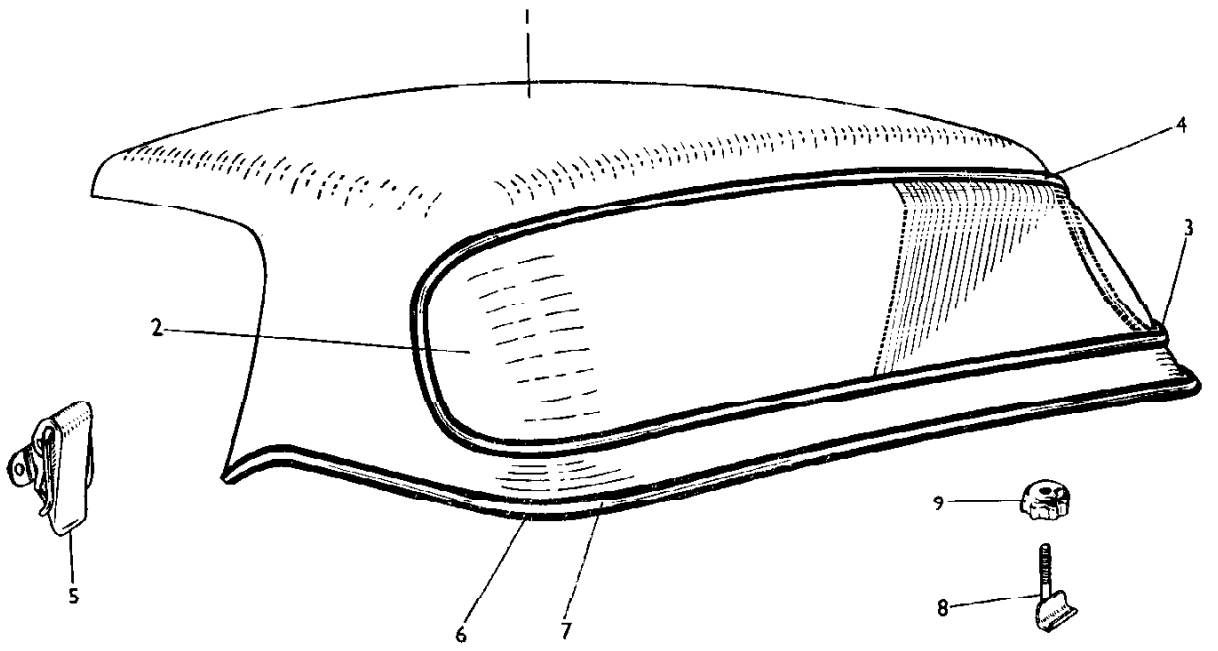


PLATE 35